



Epson Stylus® Pro 4880

User's Guide

Copyrights and Trademarks

All rights reserved. No part of this publication may be reproduced, stored in a retrieval system, or transmitted in any form or by any means, electronic, mechanical, photocopying, recording, or otherwise, without the prior written permission of Seiko Epson Corporation. No patent liability is assumed with respect to the use of the information contained herein. Neither is any liability assumed for damages resulting from the use of the information contained herein.

Neither Seiko Epson Corporation nor its affiliates shall be liable to the purchase of this product or third parties for damages, losses, costs, or expenses incurred by purchase or third parties as a result of: accident, misuse, or abuse of this product or unauthorized modifications, repairs, or alterations to this product, or (excluding the U.S.) failure to strictly comply with Seiko Epson Corporation's operating and maintenance instructions.

Seiko Epson Corporation shall not be liable against any damages or problems arising from the use of any options or any consumable products other than those designated as Original Epson Products or Epson Approved Products by Seiko Epson Corporation.

Epson, Epson Stylus, and Micro Weave are registered trademarks and Epson Exceed Your Vision is a trademark of Seiko Epson Corporation.

UltraSmooth and Piezo Pro are registered trademarks, PhotoEnhance and Epson UltraChrome K3 are trademarks, and Epson Preferred is a service mark of Epson America, Inc.

Microsoft, Windows, and Windows Vista are registered trademarks of Microsoft Corporation.

Adobe and Photoshop are registered trademarks of Adobe Systems Incorporated.

Apple, ColorSync, and Macintosh are registered trademarks of Apple Inc.

Intel and Pentium are registered trademarks of Intel Corporation.

PowerPC is a registered trademark of International Business Machines Corporation.

PremierArt is a trademark of Premier Imaging Products, Inc.

General Notice: Other product names used herein are for identification purposes only and may be trademarks of their respective owners. Epson disclaims any and all rights in those marks.

The contents of this manual are subject to change without notice.



Contents

Copyrights and Trademarks	3
----------------------------------	----------

Chapter 1 Printing with Mac OS X	11
---	-----------

Page Setup Window Settings	11
Settings	11
Format for	11
Paper Size	12
Orientation	13
Scale	13
Print Window Settings	13
Printer	13
Presets	13
Copies & Pages	14
Layout	15
Output Options	16
Scheduler	16
Paper Handling	17
ColorSync	17
Cover Page	18
Print Settings	18
Printer Color Management	23
Paper Configuration	27
Roll Paper Option	29
Expansion	32
Summary	33
Saving your settings in the Print window	33
Using your saved settings in the Print window	34
Preview	34
Selecting Borderless Print Settings	34
Canceling Printing	35
Printer Utility Window	36
Accessing the Epson Printer Utility2	36
Using the Printer Utilities	37
Checking the print head nozzles	39
Cleaning the print head	40
Aligning the print head	41
Starting Epson LFP Remote Panel	42

Getting Information Through On-screen Help	42
Uninstalling the Printer Software	42

Chapter 2 *Printing with Windows* 45

Basic Settings	45
Selecting printer driver settings	45
Canceling printing	48
Selecting Settings on the Main Tab	49
Selecting the Media Type setting	49
Selecting the Color setting	51
Selecting the Print Quality setting	51
Selecting the Mode setting	52
Selecting the Advanced settings	54
Paper Configuration	59
Saving settings	61
Deleting settings	62
Exporting and importing settings	62
Selecting the Paper Source setting	63
Selecting the Borderless setting	63
Selecting the Paper Size setting	66
Selecting the Printable Area setting	67
Selecting the Roll Paper Option settings	68
Selecting the Save Roll Paper setting	71
Checking Ink Levels	72
Previewing your printout	72
Using the Manual function	74
Selecting Settings on the Page Layout Tab	74
Selecting the Orientation settings	75
Selecting the Copies setting	76
Selecting the Reduce/Enlarge settings	77
Selecting Double-Sided Printing setting	77
Selecting Multi-Page settings	83
Selecting the Optimize Enlargement setting	85
Selecting the Print Background Color setting	85
Selecting the Job Settings	85
Using the Printer Utilities	86
Checking the print head nozzles	88
Cleaning the print head	89
Aligning the print head	90
Selecting Monitoring Preferences	91
Selecting Speed and Progress settings	92
Selecting Menu Arrangement settings	94
Starting Epson LFP Remote Panel	94

Getting Information Through On-screen Help	95
Checking Printer Status and Managing Print Jobs	96
Using the Progress Meter	96
Using Epson Status Monitor 3	97
Increasing the Print Speed	98
General tips	98
Using Speed and Progress	99
Sharing Your Printer	99
For Windows Vista	99
For Windows XP	101
Updating and Uninstalling the Printer Software	103
Updating the driver in Windows Vista or XP	103
Uninstalling the printer driver	103

Chapter 3 *The Control Panel* 107

Buttons, Lights, Messages, and Icons	107
Buttons	107
Lights	109
Messages	110
Menu Settings	110
When to use Menu mode	110
Basic Menu setting procedure	111
Menu list	112
Details of Menu mode	117
Checking the print head nozzles	130
Aligning the print head	131
Selecting paper settings	134
Printing a status sheet	136
Setting the alert value for paper	137
Maintenance Mode	137
Maintenance mode setting procedure	137
Maintenance mode list	138
Details of Maintenance mode items	139

Chapter 4 *Paper Handling* 143

Notes on Epson Media and Other Media	143
Using Epson media	143
Using paper other than Epson media	144
Using Roll Paper	144
Attaching the roll paper to the spindle	144
Removing the roll paper from the spindle	145

Loading roll paper	146
Cutting the roll paper or printing page lines.	149
Using Cut Sheet Media.	151
Checking the paper path	151
Loading cut sheet media	153

Chapter 5 *Maintenance and Transportation* 169

Replacing Ink Cartridges	169
Changing the Black Ink Cartridge.	173
Updating the printer driver information	178
Replacing the Maintenance Tank.	178
Replacing the Paper Cutter Blade	180
Cleaning the Printer	182
If you have not used your printer for a long time.	185
Transporting the Printer	186
Preparing the printer for shipment.	186
Setting up the printer after transportation	188

Chapter 6 *Problem Solver* 191

Troubleshooting	191
Printer stops printing unexpectedly	191
The printer does not turn on or stay on	198
The printer prints nothing	198
Printouts are not what you expected.	201
Print quality could be better.	203
Color documents print in black ink only.	206
Printing could be faster	206
Roll paper cannot be cut	207
Paper feed or paper jam problems occur frequently	207
Roll paper does not eject properly.	208
Clearing paper jams	209
Managing Color with Profiles	218
Macintosh Printing with a Color Profile	219
Windows Printing with a Color Profile	222
Paper Information.	226
Paper settings	226
Where To Get Help.	229
Purchase Supplies and Accessories	229

Chapter 7 Product Information **231**

Printer Specifications	231
Printing	231
Printable area	231
Mechanical	232
Electrical	233
Environmental	233
Standards and Approvals	234
Paper.	234
Ink cartridges.	236
System Requirements	237
Macintosh	237
Windows	238
Interface Specifications	238
USB interface	238
Ethernet interface	239

Chapter 8 Options and Consumable Products **241**

Options	241
Roll paper spindle	241
Consumable Products	241
Paper cutter blade	241
Maintenance tank	242
Ink cartridges.	242
Epson media	243

Safety Instructions **247**

Important Safety Instructions	247
When choosing a place for this product	247
When setting up this product.	247
When using this product	249
When handling the ink cartridges	249
When transporting this product	250
Warning, Cautions, and Notes	250

Index **251**

Chapter 1

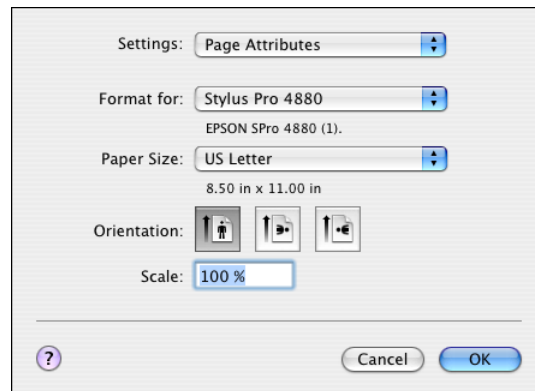
Printing with Mac OS X

Page Setup Window Settings

You can select Format for, Paper Size, Orientation, and Scale settings for printing from the Page Setup window.

Note:

The Page Setup dialog is a standard feature of Mac OS X. See your operating system's documentation for details.



Settings

Page Attributes

Displays the page setup settings.

Format for

Select **Stylus Pro 4880** in the Format for drop-down menu.

Note:

Always select the same printer in the Format for drop-down menu (in the Page Setup window) and the Printer drop-down menu (in the Print window); otherwise, your images may not be printed correctly.

Paper Size

Select a paper size and a print area that you want to use.

The print area is listed when you click the arrow mark next to the Paper Size you have selected.

The following table lists the print areas you can select.

Printer	Description
Standard	Prints on cut-sheet paper with 14-mm bottom, and 3-mm top, left, and right margins.
Maximum	Prints on cut-sheet paper with 3-mm margins in four directions.
Borderless (Auto Expand)	Enlarges prints on cut-sheet paper with 3-mm top, 14-mm bottom, and 0-mm left and right margins.
Borderless (Auto Expand, Maximum)	Prints data enlarged on cut-sheet paper with 3-mm top and bottom margins, and 0-mm left and right margins.
Roll Paper	Prints on roll paper with 3-mm margins on all four sides.
Roll Paper - Borderless (Auto Expand)	Enlarges prints on roll paper without margins.
Roll Paper - Banner	Prints multiple pages on roll paper continuously with 3-mm left and right margins and 0-mm top and bottom margins.
Borderless (Retain Size)	Prints on cut-sheet paper with 3-mm top, 14-mm bottom, and 0-mm left and right margins, while retaining the ratio of the original size.
Borderless (Retain Size, Maximum)	Prints on cut-sheet paper with 3-mm top and bottom margins and 0-mm left and right margins, while retaining the ratio of the original size.
Roll Paper - Borderless (Retain Size)	Prints on roll paper without margins, while retaining the ratio of the original size.
Roll Paper - Borderless Banner	Prints multiple pages on roll paper continuously without margins.

Orientation

Select the Orientation setting that matches the orientation of your image.

Scale

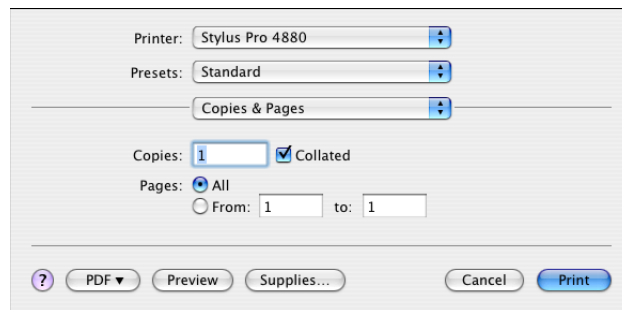
Select a scale to reduce or enlarge the size of your printed image.

Print Window Settings

You can select **Printer** and **Presets** settings used for printing.

Note:

The Print window is a standard feature of Mac OS X. See your operating system's documentation for details.



Printer

Select **Stylus Pro 4880** in the Printer drop-down menu.

Note:

Always select the same printer in the Format for drop-down menu (in the Page Setup window) and the Printer drop-down menu (in the Print window); otherwise, your images may not be printed correctly.

Presets

Select **Standard** or **Save As**.

Standard

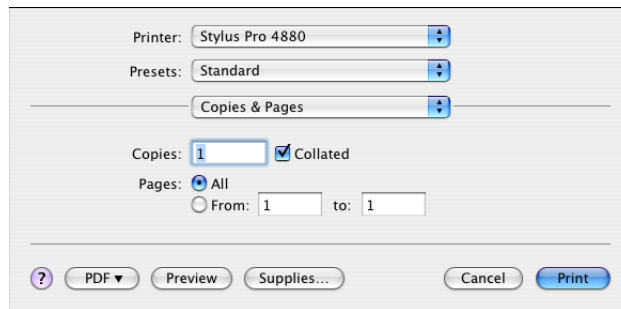
Prints with the current settings.

Save as

Prints with custom saved settings.

Copies & Pages

Select the **Copies**, **Collated**, and **Pages** settings that you want to use for printing.



Printer: Stylus Pro 4880
Presets: Standard
Copies & Pages
Copies: 1 Collated
Pages: All
 From: 1 to: 1
? PDF Preview Supplies... Cancel Print

Copies

Enter the number of copies that you want to print in the **Copies** text box.

Collated

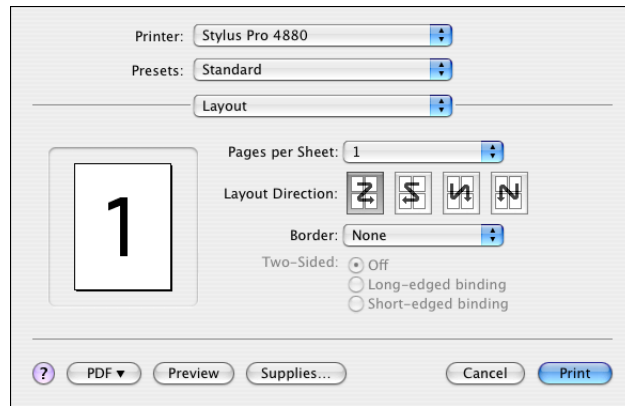
Select **Collated** to print one complete document set at a time when printing multiple copies.

Pages

Select either **All** or **From** and **to**. If you select **From** and **to**, enter the first page of the range of pages in the **From** text box and the last page in the **to** text box.

Layout

Select the **Pages per Sheet**, **Layout Direction**, and **Border** settings that you want to use for printing.



Note:

Layout is a standard feature of Mac OS X. See your operating system's documentation for details.

Pages per Sheet

You can print multiple pages of your document on a single piece of paper. Select from 1, 2, 4, 6, 9, or 16.

Layout Direction

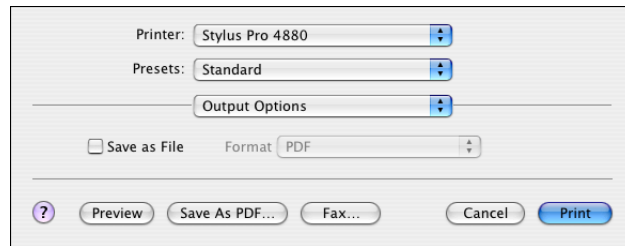
You can specify the order in which the pages will be printed on the sheet of paper.

Border

You can print a border around the pages printed on each sheet. You can select from **None**, **Single Hairline**, **Single Thin Line**, **Double Hairline**, or **Double Thin Line**.

Output Options

You can print your image to a file if you click the **Save as File** checkbox, and select a format from the Format drop-down menu.



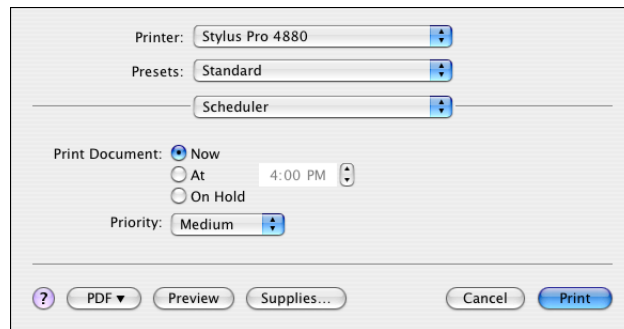
If you want to print your image on paper, uncheck the **Save as File** checkbox.

Note:

- Output Options is a standard feature of Mac OS X. See your operating system's documentation for details.*
- Output Options does not appear when you are using Mac OS X 10.4.x. In Mac OS X 10.4.x, click the **PDF** button instead.*

Scheduler

Select the **Print Document** (time) and **Priority** settings that you want to use for printing.

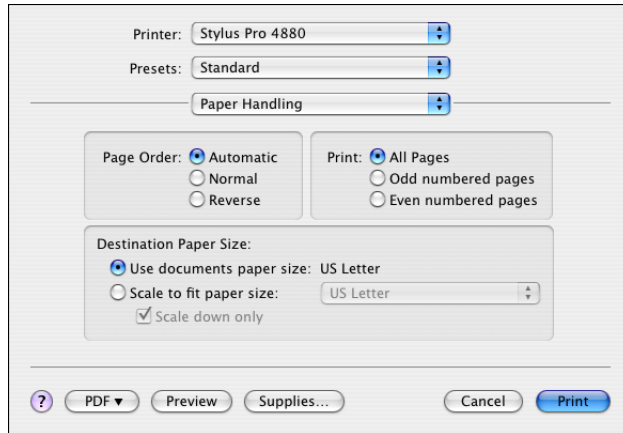


Note:

Scheduler is a standard feature of Mac OS X. See your operating system's documentation for details.

Paper Handling

Select the **Page Order**, **Print** (pages), and **Destination Paper Size** settings that you want to use for printing.

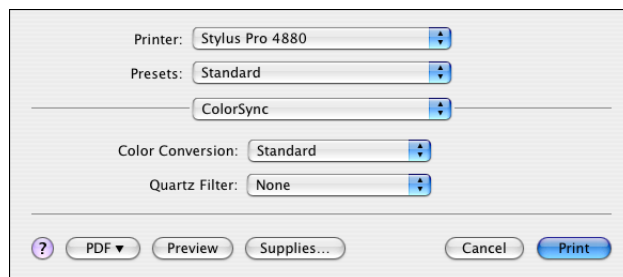


Note:

Paper Handling is a standard feature of Mac OS X. See your operating system's documentation for details.

ColorSync

Select the **Color Conversion** and **Quartz Filter** settings that you want to use for printing.

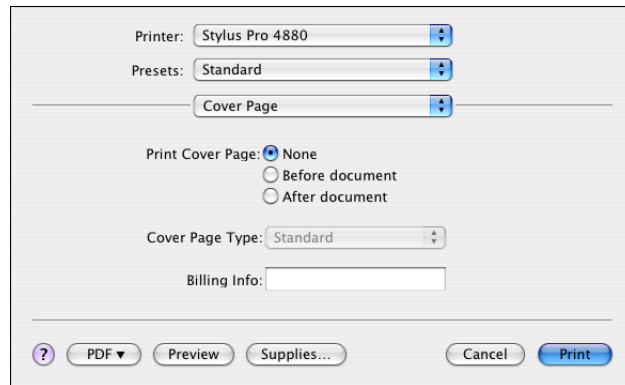


Note:

ColorSync is a standard feature of Mac OS X. See your operating system's documentation for details.

Cover Page

Select the **Print Cover Page**, **Cover Page Type**, and **Billing Info** settings that you want to use for printing.

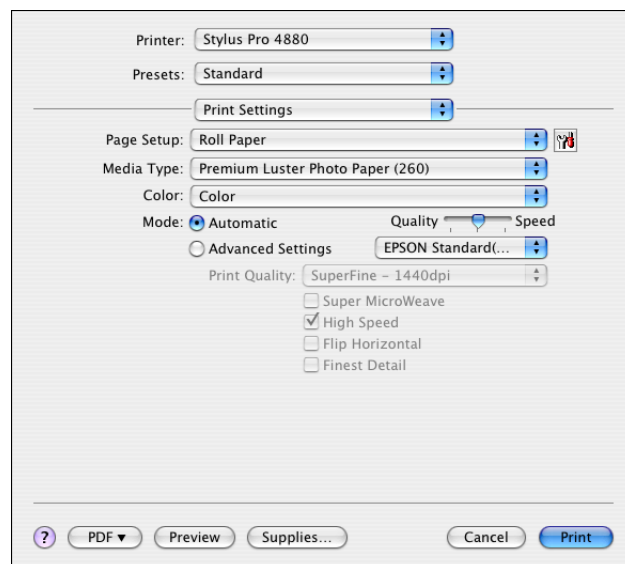


Note:

Cover Page is a standard feature of Mac OS X. See your operating system's documentation for details.

Print Settings

Select **Page Setup**, **Media Type**, **Color**, and **Mode** settings.



Page Setup

Shows the print area that was selected from the Paper Size list in the Page Setup window.

When you print on cut sheet paper, select **Paper Tray** if you are using the paper tray or select **Manual Feed** if you are using the front or rear manual feed slot.

Media Type

The Media Type setting determines what other settings are available in the printer driver, so make sure you always select this setting first.

Select the Media Type setting that matches the paper you loaded in the printer. See the table below for a list of settings.

Note:

- ❑ *The availability of Epson media varies by region.*
- ❑ *When you are using non-Epson papers, see "Notes on Epson Media and Other Media" on page 143.*
- ❑ *For the latest information on the Epson media available in your area, see "Where To Get Help" on page 229.*

Media Type setting list

Media Type Setting	Epson Media Name
Premium Luster Photo Paper (260)	Premium Luster Photo Paper (260)
Premium Glossy Photo Paper (250)	Premium Glossy Photo Paper (250)
Premium Semigloss Photo Paper (250)	Premium Semi-gloss Photo Paper (250)
Premium Semimatte Photo Paper (260)	Premium Semimatte Photo Paper (260)
Premium Glossy Photo Paper (170)	Premium Glossy Photo Paper (170)
Premium Semigloss Photo Paper (170)	Premium Semi-gloss Photo Paper (170)
Premium Glossy Photo Paper	Premium Photo Paper Glossy Premium Glossy Photo Paper
Premium Semigloss Photo Paper	Premium Photo Paper Semi-gloss Premium Semigloss Photo Paper

Media Type Setting	Epson Media Name
Premium Luster Photo Paper	Ultra Premium Photo Paper Luster Premium Luster Photo Paper
Epson Proofing Paper White Semimatte	Proofing Paper White Semimatte
Epson Proofing Paper Publication	Proofing Paper Publication
Epson Proofing Paper Commercial	Proofing Paper Commercial Proofing Paper Commercial Semimatte
Velvet Fine Art Paper	Velvet Fine Art Paper
Watercolor Paper - Radiant White	Watercolor Paper - Radiant White PremierArt Water Resistant Canvas for Epson Piezo Pro Matte Canvas
Textured Fine Art Paper	Textured Fine Art Paper
UltraSmooth Fine Art Paper	UltraSmooth Fine Art Paper
Singleweight Matte Paper	Singleweight Matte Paper
Photo Quality Ink Jet Paper	Presentation Paper Matte Photo Quality Ink Jet Paper
Enhanced Matte Paper	Ultra Premium Presentation Paper Matte Enhanced Matte Paper
Plain Paper	—
Plain Paper (line drawing)	—
Tracing Paper	—
Singleweight Matte Paper (line drawing)	Singleweight Matte Paper

Color

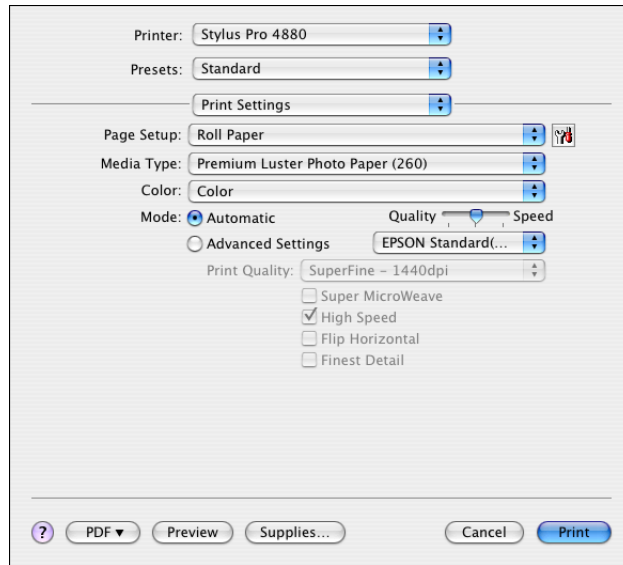
Select **Color** to print color or monochrome photos, or **Black** to print a draft or black text only. If you want to fine-tune your monochrome prints, select **Advanced B&W Photo**.

Mode

You can select the **Automatic** or **Advanced Settings**.

Automatic

Automatic is the quickest and easiest way to start printing. When **Automatic** is selected, the printer selects all of the detailed settings based on the Media Type and Color settings you choose.



Quality and Speed slider

Depending on the Media Type, Color, and Mode setting you selected, a Quality or Speed slider appears in the Mode box. Select **Quality** when print quality is more important than print speed. Select **Speed** when print speed is more important than print quality.

Color Control mode

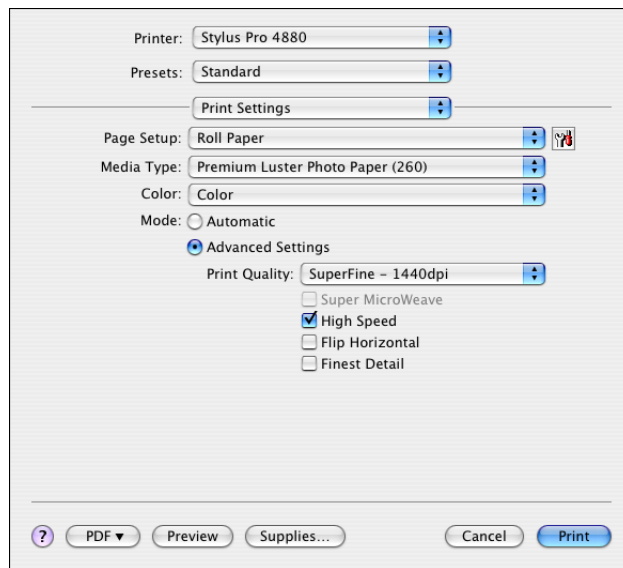
When **Color** is selected as the Color setting in **Automatic** mode, the Color Control drop-down menu appears.

You can select from the following settings.

Charts and Graphs	Enhances colors and lightens the midtones and highlights of an image. Select this setting when printing presentation graphics, such as charts and graphs.
EPSON Standard (sRGB)	Increases the contrast in your printouts. Select this setting when printing color photographs.
Adobe RGB	Matches your image's color to the Adobe RGB color space.

Advanced Settings

The Advanced Settings give you complete control over the printing environment. Use these settings to experiment with new printing ideas, or to fine-tune a range of print settings to meet your individual needs. Once you are satisfied with your new settings, you can give them a name and add them to the Custom Settings list.

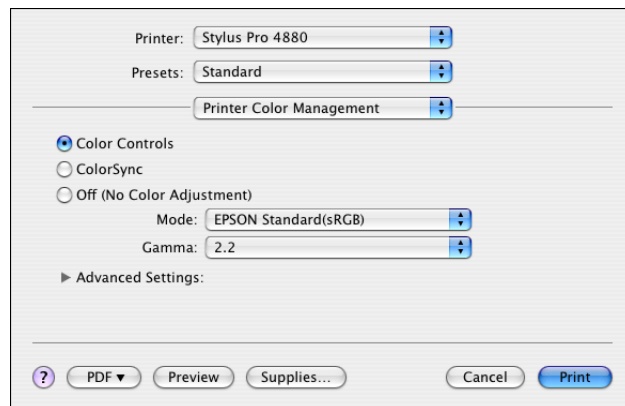


Print Quality	Select the print quality that you want to use for printing.
Super MicroWeave	Gives you slightly more detail, but the print time will be longer.
High Speed	Activates bidirectional printing so your printer prints in both left-to-right and right-to-left directions. This setting speeds up printing, but may decrease print quality.
Flip Horizontal	Prints your image as it would appear in a mirror. Text and graphics appear reversed.
Finest Detail	Depending on the Print Quality setting you selected, you can turn on Finest Detail to print text, solid graphics, and line art with very sharp edges. This setting is not recommended when you are printing photographs.

Color Toning	<p>When you select Advanced B&W Photo as the Color setting, the Color Toning drop-down menu appears.</p> <p>Neutral: Provides standard image correction for most photos. Try this first.</p> <p>Cool: Gives a cool tone to your printouts.</p> <p>Warm: Gives a warm tone to your printouts.</p> <p>Sepia: Applies a sepia tone to your printouts.</p> <p>Fine Adjustment: Appears when you change the Tone, adjust the settings using the slide bars or the color circle, or select the Highlight Point Shift checkbox in the Printer Color Management window. See "Color Controls (for Advanced B&W Photo)" on page 25.</p>
--------------	---

Printer Color Management

This option gives you control over the color matching and adjustment methods provided by the printer driver.



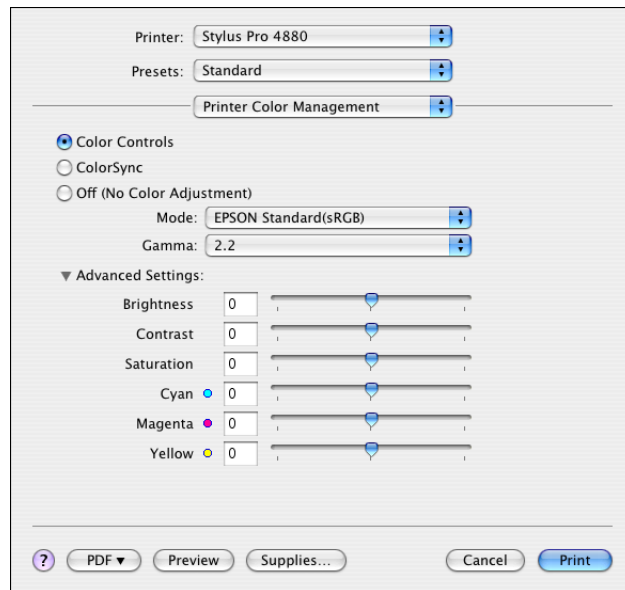
Use these settings to experiment with new printing ideas or to fine-tune a range of printer settings to meet your individual needs. Once you are satisfied with your new settings, you can add them to the Custom Setting list in the Print window.

Color Controls

Select this setting to use the color matching and adjustment methods provided with the printer. Click the triangle next to **Advanced Settings**. You see a window like this one.

Note:

When **Black** is selected as the Color setting, you see a similar window, but you can only adjust the Gamma, Brightness, and Contrast settings.



Mode

Charts and Graphs	Enhances colors and lightens the midtones and highlights of an image. Select this setting when printing presentation graphics, such as charts and graphs.
EPSON Standard (sRGB)	Increases the contrast in your printouts. Select this setting when printing color photographs.
Adobe RGB	Matches your image's color to the Adobe RGB color space.

Gamma

Controls image contrast by modifying the midtones and mid-level grays.

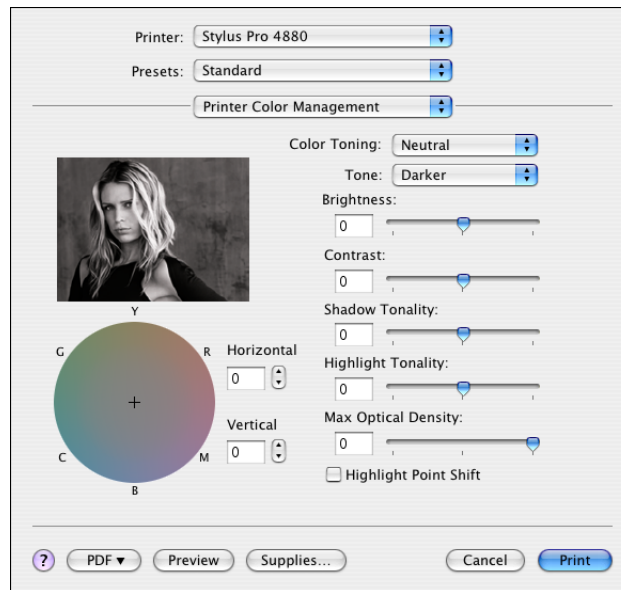
Advanced Settings

The color enhancement sliders adjust the indicated options in a range of –25% to +25%.

Drag the slider to the right or left with your mouse to adjust the settings. You can also type a value from –25% to +25% in the boxes next to the sliders.

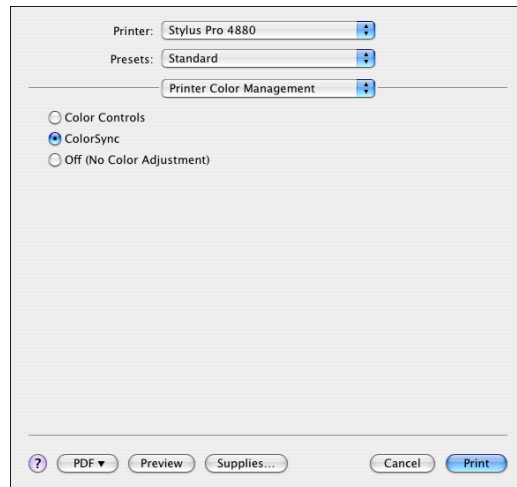
Color Controls (for Advanced B&W Photo)

When **Advanced B&W Photo** is selected as the Color setting, you see a window like this one. You can adjust the advanced monochrome settings. For more information on the settings, see the on-screen help.



ColorSync

This setting automatically adjusts printout colors to match colors on your screen.

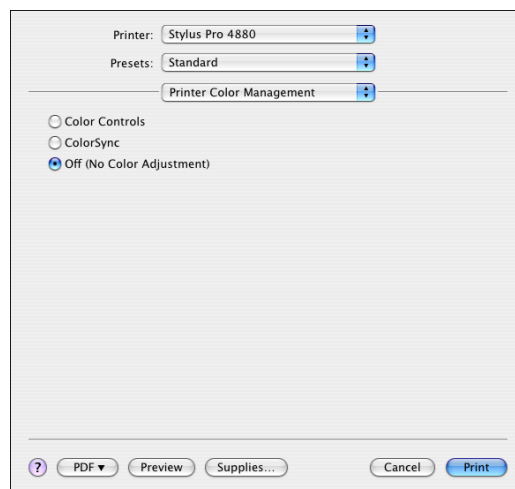


Note:

Ambient light and the age, quality, and settings of your monitor can affect the quality of color matching.

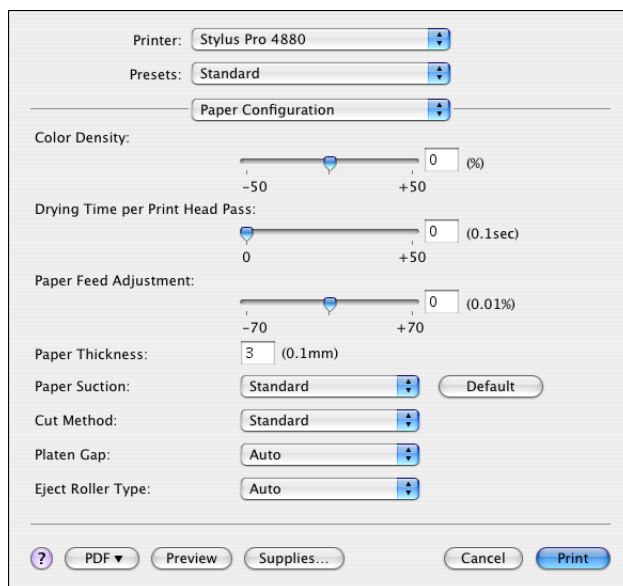
Off (No Color Adjustment)

This setting does not allow the printer driver to enhance or adjust the color in any way. Use this setting only when you create a new color profile or if the other Mode settings do not produce satisfactory results. See "Managing Color with Profiles" on page 218 for detailed information on applying color management in your application.



Paper Configuration

If you are using non-Epson paper and are experiencing problems with print quality when using Epson Media Type settings, adjust the following settings, as necessary.

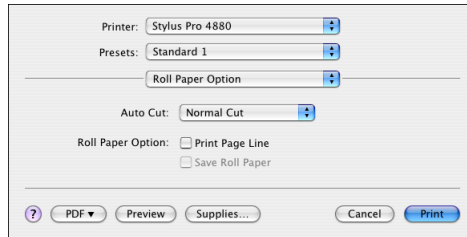


Mode	Description
Color Density	<p>Adjusts the saturation of Colors. Select a value between -50% and +50%. Drag the slider to the right (+) to deepen the color saturation of your printout or left (-) to lighten the color saturation. You can also type a number (-50 to +50) in the text box next to the slider.</p> <p>Use this setting when you print on non-Epson papers.</p> <p>Set the slider to the 0 position when you print on Epson media.</p> <p>Note: Adjusting the color saturation of a printout may not be possible, depending on the printing mode.</p>
Drying Time per Print Head Pass	<p>Pauses the print head for a specified period of time between passes.</p> <p>Set this value using the slider or text box. To improve print quality by using slow ink absorption on the media, set a higher value.</p> <p>The drying time per print head pass can be set from 0 to 5 seconds, in 0.1 second increments.</p> <p>Note: If you use this setting, printing will take longer.</p>

Mode	Description
Paper Feed Adjustment	Controls the paper feeding value, in 0.01% increments. If the paper feeding value is too large, white horizontal micro banding may appear. If the paper feeding value is too small, dark horizontal micro banding may appear.
Paper Thickness	This value is set automatically according to the Media Type setting. If you use non-Epson media, modify this value for your media. Refer to the paper specifications, or see "THICKNESS PAT" on page 126 to print a Thickness Pattern to determine the paper thickness.
Paper Suction	Adjusts the Paper Suction value. Decreasing the air suction at the platen is useful to avoid wrinkling or waving of thin or saturated media, or eliminating vertical banding. You can select Standard (100% suction), -1 (50% suction), -2 (30% suction), -3 (10% suction), or -4 (6% suction).
Cut Method	Determines the best cutting method according to the paper thickness. You can select Standard (normal speed and normal cut pressure), Thin Paper (low cut pressure), Thick Paper, Fast (high speed and high cut pressure), or Thick Paper, Slow (low speed and high cut pressure)
Platen Gap	<p>The platen gap is the distance from the media loaded in the printer to the print head. By adjusting this setting, you can increase the print quality. This is set automatically according to the Paper Thickness setting specified.</p> <p>Note: Setting Platen Gap to Narrow may produce better print quality, but make sure the media does not wrinkle or touch the print head; otherwise, the printout or the print head may be damaged. If this happens, select the Wider or Wide setting.</p>
Eject Roller Type	<p>Select the Eject Roller Type that best fits your media.</p> <p>Auto: The printer selects the most appropriate setting automatically. When you use Epson special media, usually select this setting.</p> <p>Starwheel-Sheet: If you want to print on cut-sheet paper that is non-Epson media, select this setting.</p> <p>Starwheel-Roll Curled: If you want to print on strongly curled roll paper that is non-Epson media, select this setting.</p> <p>No Roller-Roll Normal: If you want to print on roll paper that is non-Epson media, select this setting.</p>
Default button	Click this button to return the settings to their factory default values.

Roll Paper Option

You can select Auto Cut, Print Page Line, and Save Roll Paper settings.



Auto Cut

You can select the following cutting methods.

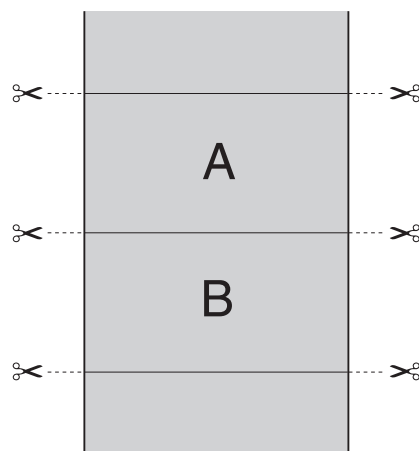
Single Cut

Select this setting if you want to save paper.

If you select this setting, the boundary of a picture or the boundary of a page is cut. However, the cut position may shift slightly.

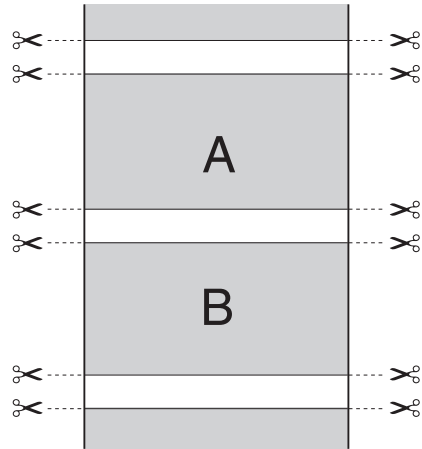
Note:

When you print on Premium Glossy Photo Paper (250) roll paper or Premium Semigloss Photo Paper (250) roll paper, do not select this setting; otherwise, print quality may decline.



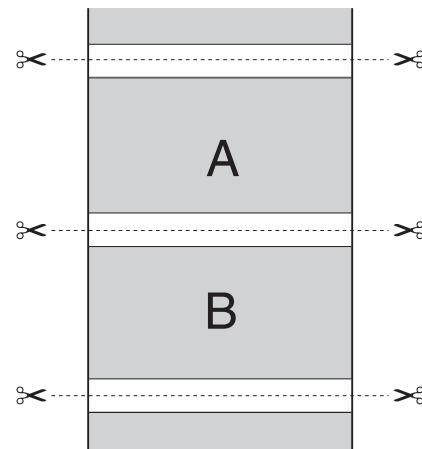
Double Cut

Select this setting to avoid the slight gap that occurs with the Single Cut setting. A margin is created between the pictures, and 1 mm along the inside of each picture is cut.



Normal Cut

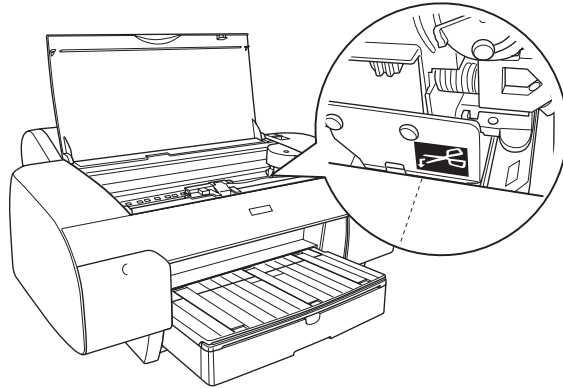
Select this setting to keep margins at the top and bottom of the printed data.



Off

Select this setting to cut the printouts manually. To cut the printouts manually, follow the steps below.

1. Press the ∇ paper feed or \blacktriangle paper feed button to match the cutting position on the paper with the cutting position on the left side of the print head.



2. Press the \leftarrow paper source button to select roll auto cut on .
3. Press and hold the \leftarrow paper source button for 3 seconds. The printer cuts the printout at the cutting position.

Print Page Line

You can specify whether to print a page line on the right side and also below the printed data for manual cutting.

When you have checked the **Print Page Line** checkbox, the print page line feature functions differently depending on the Auto Cut setting, as described below.

Auto Cut setting	Printer's function
Single Cut Double Cut Normal Cut	Prints a page line on the right side only, and cuts paper automatically after the print job.
Off	Prints page lines on the right side and below the data, but does not cut paper automatically after the print job.

Save Roll Paper

This function is effective if you wish to save roll paper, because a blank portion of the last page of your printed data is not fed through the printer.

Expansion

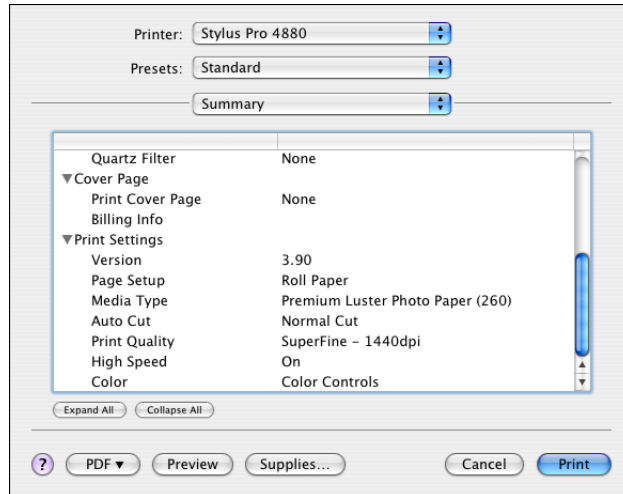
You can print your images without margins. The expansion feature is available when you select a paper size with **Borderless (Auto Expand)**, **Borderless (Auto Expand, Maximum)**, or **Roll Paper - Borderless (Auto Expand)** as the print area in the Page Setup window.



Using the slider, you can control how much of the image extends beyond the edges of paper during borderless printing. For most print jobs, **Max** is recommended to eliminate margins on all sides of the paper. Moving the slider towards **Min** decreases the amount of the image enlargement; however, as this amount decreases, margins may appear on one or more sides of the print.

Summary

Use the **Summary** option to view the current settings.



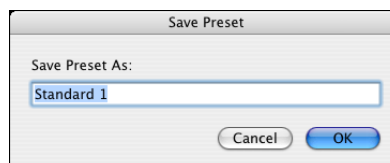
Note:

The Summary option is a standard feature of Mac OS X. See your operating system's documentation for details.

Saving your settings in the Print window

Follow the steps below to save your settings in the Print window.

1. Select **Save as** from the Presets drop-down menu.
2. Enter the name of the custom setting in the **Save Preset As** text box.



3. Make sure that the name you entered in step 2 is saved in the Presets drop-down menu.

Using your saved settings in the Print window

To use your saved settings, select the name of your custom setting from the Presets pull-down menu.

If you change the Media Type or Color settings while your customized setting is selected in the Saved Settings list, your saved setting is not affected by the change. To return to your saved setting, simply reselect it in the list.

Preview

You can see how your data will look before actually printing it.

Note:

- Preview is a standard feature of Mac OS X.*
 - Preview may not display accurate color.*
1. Select printer driver settings.
 2. Click **Preview** in the Print window. The Preview window appears and displays a preview of your image.

Selecting Borderless Print Settings

Note:

- If your application has margin settings, make sure they are set to zero before printing.*
- When you print on cut sheet media, only the left and right margins are set to zero. Full borderless printing is available on roll paper only.*
- Ink may spray on the platen of the printer. If this happens, wipe the ink away using a cloth.*
- Printing with this feature takes longer than normal printing.*
- Smearing may occur at the top and bottom edges of the printout depending on the media.*

- ❑ *When you use Premium Glossy Photo Paper (250) roll paper or Premium Semigloss Photo Paper (250) roll paper, the top margin is always 20 mm.*
- ❑ *Borderless printing is not available when the PPR SIZE CHK setting is turned off. Make sure that ON is selected for PPR SIZE CHK on the printer's control panel.*

Follow the steps below to print borderless photos.

Note:

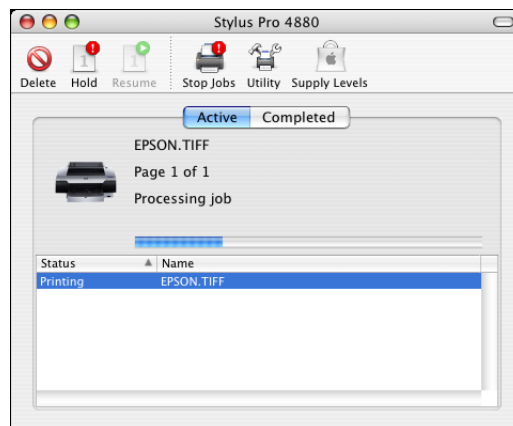
Always select the same printer in the Format for drop-down menu (in the Page Setup window) and the Printer drop-down menu (in the Print window); otherwise, your images may not be printed correctly.

1. Select a paper size with **Borderless (Auto Expand), Borderless (Auto Expand, Maximum), Roll Paper - Borderless (Auto Expand), Borderless (Retain Size), Borderless (Retain Size, Maximum), Roll Paper - Borderless (Retain Size),** or **Roll Paper - Borderless Banner** as the print area setting in the Page Setup window.
2. Select your roll paper options. See "Roll Paper Option" on page 29.
3. Click **OK**.
4. Start printing your image from your application.

Canceling Printing

Follow the steps below to cancel printing.

1. Click the  printer icon in the dock. You see a screen like this:



2. Click the job you want to delete, then click **Delete** to cancel printing.

Note:

*You cannot cancel a print job from the computer once it has been sent to the printer. Instead, you must press and hold the **||** pause button on the printer for 3 seconds.*



Caution:

If you stop a print job while it's in progress, you may notice misalignment or banding in the printed image.

Printer Utility Window

Accessing the Epson Printer Utility2

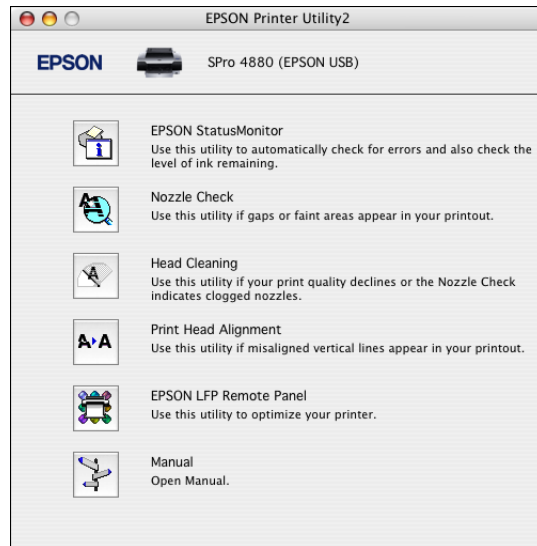
You can access the Epson Printer Utility2 window by clicking the  icon in the Print Settings window.

You can also access the Epson Printer Utility2 window by following the steps below.

1. Double-click **Macintosh HD** (the default installation folder).
2. Double-click the **Applications** folder.
3. Double-click the **EPSON Printer Utility2** icon.
4. Select **SPro 4880**, then click **OK**.

Using the Printer Utilities

The Epson printer utilities let you check the current printer status and perform printer maintenance from your computer. You can also access the *User's Guide* by clicking the **Manual** button.

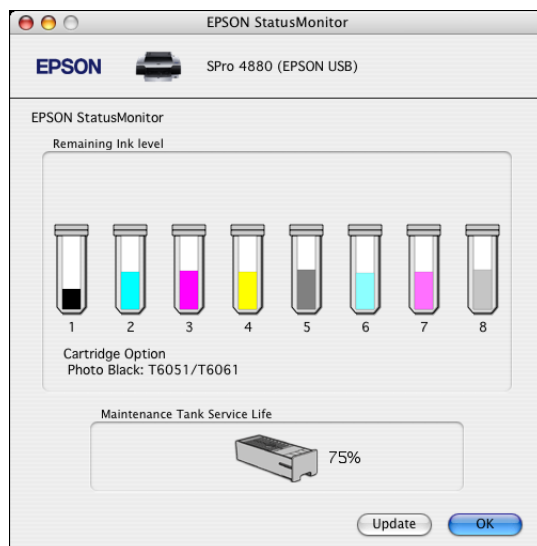


Note:

Do not use the Nozzle Check, Head Cleaning, or Print Head Alignment utilities while printing is in progress; otherwise, your printout may be marred.

EPSON StatusMonitor

This utility provides information about the ink cartridges and the maintenance tank, as well as the printer's status.



Nozzle Check

This utility checks the print head nozzles for clogging. Check the nozzles when you notice that print quality has declined and after cleaning the print head to confirm that the nozzles have been cleared. See "Checking the print head nozzles" on page 39.

If you click **Auto** in the Nozzle Check dialog, or select **ON** as the AUTO CLEANING setting of the printer's control panel, this utility not only checks the clogging nozzles, but also cleans the print head automatically.

Head Cleaning

Use this utility to clean the print head. You may need to clean the print head if you notice that print quality has declined. See "Cleaning the print head" on page 40.

Print Head Alignment

Use this utility to improve the quality of your printed images. For example, if vertical lines appear out of alignment or if white or black vertical banding appears in your printed images, you can use this utility to realign the print head. See "Aligning the print head" on page 41.

EPSON LFP Remote Panel

Use this utility to optimize your printer. See "Starting Epson LFP Remote Panel" on page 42.

Manual

You can access the *User's Guide* by clicking the **Manual** button.

Checking the print head nozzles

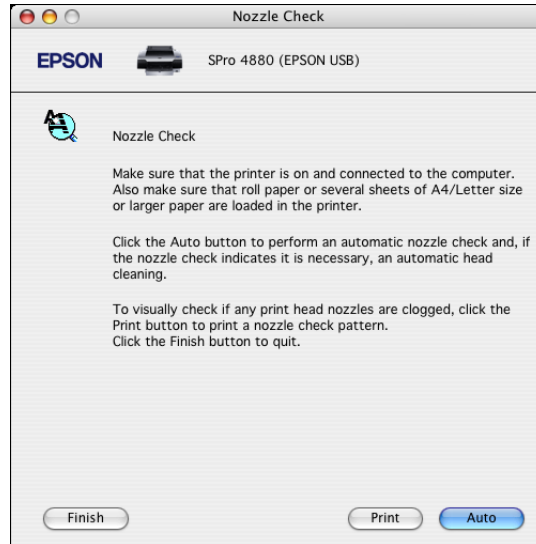
If you find that your printed image is unexpectedly faint or dots in the printed image are missing, you may be able to identify the problem using the Nozzle Check utility.

Note:

Do not start the Nozzle Check utility while printing is in progress; otherwise, your printout may be marred.

1. Make sure that several sheets of A4/Letter size or larger paper are loaded in the printer's auto sheet feeder.
2. Click **Nozzle Check**.

3. Click **Print** if you want to visually check to see if any print head nozzles are clogged. Click **Auto** if you want to perform an automatic nozzle check, and if the nozzle check indicates it is necessary, perform an automatic head cleaning.



4. Follow the on-screen instructions to print a nozzle check pattern.

If the nozzle check shows missing dots, clean the print head as described below.

Cleaning the print head

If you find that your printed image is unexpectedly faint or dots in the printed image are missing, you may be able to solve the problem by using the Head Cleaning utility to clean the print head, which ensures that the nozzles are delivering ink properly.

Note:

- Do not start the Head Cleaning utility while printing is in progress; otherwise, your printout may be marred.*
- To save ink, use the Nozzle Check utility first to confirm that the print head needs to be cleaned.*
- When the ink status light is flashing or on, you cannot clean the print head. Replace the appropriate ink cartridge first. See "Replacing Ink Cartridges" on page 169.*

1. Make sure the printer is turned on and the ink status light is off, and that a few sheets of A4/Letter size or larger paper are loaded in the printer's auto sheet feeder.
2. Click **Head Cleaning**.
3. Follow the on-screen instructions.
4. Click **Confirmation** in the Head Cleaning dialog to confirm that the head is cleaned and to reset the cleaning cycle.

If dots are still missing after cleaning, try the following:

- Repeat this procedure three or four times, turn the printer off and let it sit overnight, and then try the print head cleaning again.
- Select **POWER CLEANING** from the control panel on the printer. See "PWR CLEANING" on page 128. This consumes ink, so only use this cleaning when necessary. You can also use the LFP Remote Panel to run a power cleaning.
- Replace any ink cartridge that is old or damaged.

If the print quality remains a problem after you have tried these solutions, see "Where To Get Help" on page 229.

Aligning the print head

If you see misaligned lines or black or white vertical banding on your printed image, you may be able to solve the problem by using the Print Head Alignment utility to align the print head.

1. Make sure that the printer is turned on, it's in the **READY** state, and that a few sheets of A4/Letter size or larger Epson media are loaded in the printer's auto sheet feeder.
2. Click **Print Head Alignment**.
3. Follow the on-screen instructions to align the print head.

Starting Epson LFP Remote Panel

You can optimize your printer by using this utility.

1. Make sure the printer is turned on.
2. Click **EPSON LFP Remote Panel**.

Note:

*If the Epson LFP Remote Panel does not launch when you click **EPSON LFP Remote Panel** in the printer utility window, your software CD may not have included this utility. You can download the LFP Remote Panel from epson.com/support.*

3. Follow the on-screen instructions. See the Epson LFP Remote Panel on-screen help for details.

Getting Information Through On-screen Help

Your printer software has extensive on-screen help, which provides instructions for printing, selecting printer driver settings, and using the printer utilities.

1. Select **Print** from the File menu of your application.
2. Select the window for which you want to see the on-screen help.
3. Click the **?** button.

Uninstalling the Printer Software

Follow the steps below to uninstall the printer software.

1. Quit all running applications.
2. Insert the Epson printer software CD-ROM into your Macintosh.
3. Open the **Epson** CD-ROM desktop icon, if necessary.

4. Double-click the **English** folder, then double-click the **OS X** folder.

Note:

You may have to scroll down to see these folders.

5. Double-click the **Installer** icon.

Note:

*If the Authenticate dialog box appears, enter your password or phrase and click **OK**.*

6. Read the software license agreement and click **Continue**, then click **Agree**.
7. When the **EPSON_IJ_Printer** window appears, select **Uninstall** from the drop-down menu at the top and click the **Uninstall** button at the bottom right.
8. Follow the on-screen instructions to uninstall the printer software.

Note:

*If the name of your printer remains in the Print Center or Printer Setup Utility, select it from the Printer List and click **Delete**.*

9. Drag the following items into the Trash, if you see them:
 - The **EPSON LFP Remote Panel** folder in the Applications folder
 - The **EPSON LFP Remote Panel** icon on the desktop
10. To reinstall your printer software, restart your Macintosh. Then follow the instructions on your *Start Here* sheet to install the software.

Chapter 2

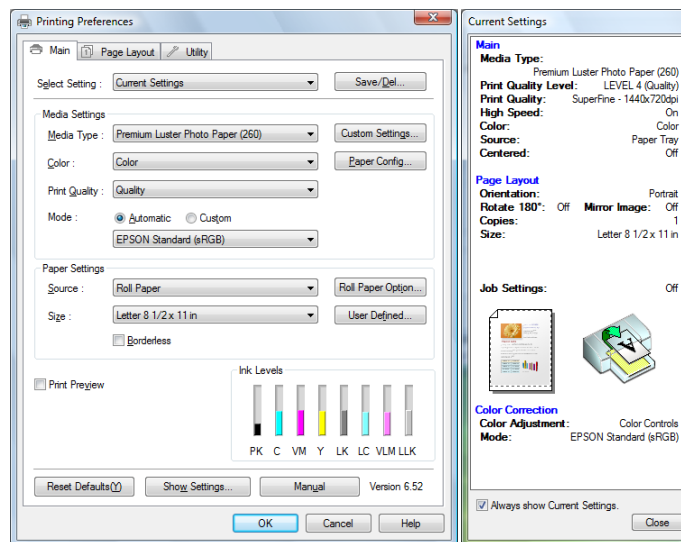
Printing with Windows

Basic Settings

Selecting printer driver settings

Follow these steps to select basic printer driver settings:

1. Select **Print** from the File menu of your application. The Print window appears.
2. Make sure the **EPSON Stylus Pro 4880** is selected, and then click **Preferences, Properties, or Options**. You may need to click a combination of these buttons. The driver settings window appears.



3. Select the Media Type setting that matches the paper loaded in the printer. See "Media Type setting list" on page 50.

Note:

- ❑ Check the media type and its paper path. See "Paper path list" on page 152.
- ❑ The Media Type setting determines what other settings are available in the printer driver, so make sure you select this setting first.
- ❑ Some media types are not available depending on the Source setting you've selected (see step 8, below).

4. Select **Color** (to print color or monochrome photos) or **Black** (to print a draft or black text only) as the Color setting.

If you want to fine-tune your monochrome prints, select **Advanced B&W Photo**.

5. Select a Print Quality setting. For additional options, select **Quality Options** from the drop-down list.
6. Select **Automatic** as the Mode setting.

If you selected **Color** as the Color setting, select a Color Control Mode setting from the Mode drop-down list. For more information, see "Color Control mode" on page 52.

If you selected **Advanced B&W Photo** as the Color setting, select a Color Toning setting from the Mode drop-down list. For more information, see "Color Toning" on page 53.

7. Select a paper source from the Source drop-down list.

Note:

Some paper sources may not be available for the media type setting you selected.

8. Select **Borderless** to print without margins. See "Selecting the Borderless setting" on page 63.

Note:

The Borderless feature is only available for select media types and paper paths.

9. Select the size of paper you loaded in the printer from the Size drop-down list.

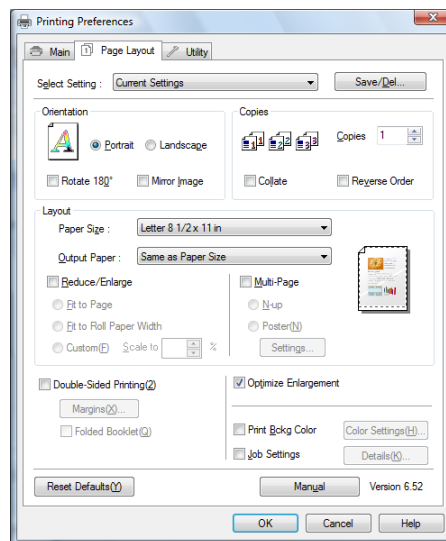
Note:

Most Windows applications feature paper size settings that override similar settings in the printer driver. If you don't see the paper size you loaded in the printer, see "Selecting the Paper Size setting" on page 66 to create a custom paper size.

10. If you selected **Paper Tray** or **Manual Feed** as your Source setting, click the **Printable Area** button and select your printable area setting. See "Selecting the Printable Area setting" on page 67.

If you selected **Roll Paper** or **Roll Paper (Banner)** as your Source setting, click the **Roll Paper Option** button and select your roll paper options. See "Selecting the Roll Paper Option settings" on page 68.

11. Click the **Page Layout** tab. You see a window like this one.



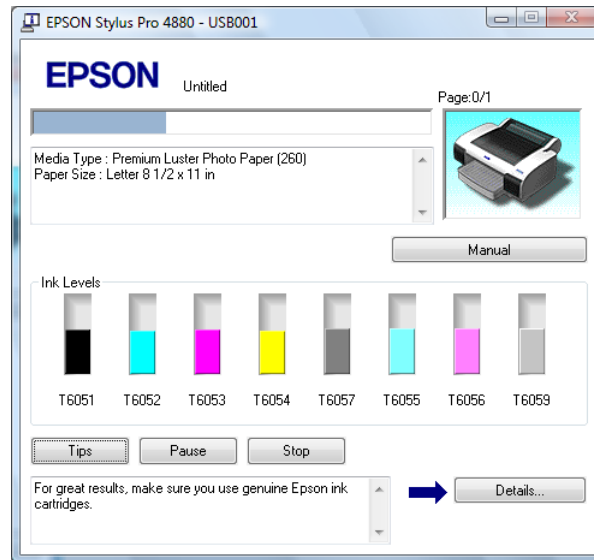
Note:

*The **Double-Sided Printing** feature is available only when **Paper Tray** is selected as the Source setting.*

12. Select **Orientation** and **Copies** settings, as necessary.
13. Select **Reduce/Enlarge**, to adjust the size of your print, if necessary. See "Selecting the Reduce/Enlarge settings" on page 77.
14. Select **Multi-Page**, and then select settings as needed. See "Selecting Multi-Page settings" on page 83.

15. Select **Double-Sided Printing**, and then select settings as needed. See "Selecting Double-Sided Printing setting" on page 77.
16. Click **OK** to return to the Print window in your application.
17. Click **OK** or **Print** to start printing.

During printing, the Epson Progress Meter appears, showing the progress of your print and the status of your printer.



Canceling printing

To cancel printing, click **Stop** on the Epson Progress Meter.

You can also pause or restart printing. To pause printing, click **Pause**. To resume printing, click the button again.

Note:

*You cannot cancel a print job from the computer once it has been sent to the printer. Instead, you must press and hold the **||** pause button on the printer for 3 seconds.*

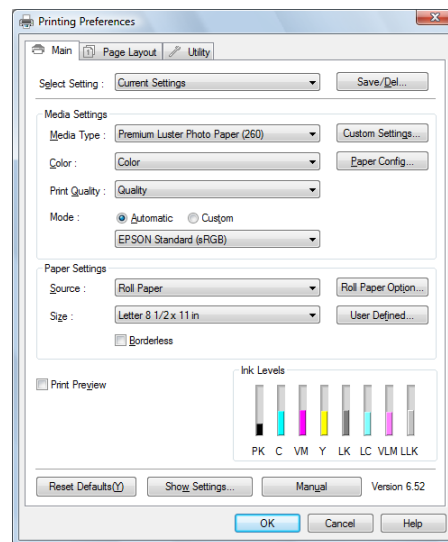


Caution:

If you stop a print job while it's in progress, you may notice misalignment or banding in the printed image.

Selecting Settings on the Main Tab

The Main tab allows you to select the Media Type, Color, Print Quality, Mode, Paper Source, Paper Size, and Borderless settings, and also check the ink cartridge status. You can also access the *User's Guide* by clicking the **Manual** button.



Note:

Most Windows applications feature paper size settings that override similar settings in the printer driver. If your application does not have these features, verify the settings on the printer driver's Main tab.

Selecting the Media Type setting

The Media Type setting determines what other settings are available in the printer driver, so make sure you always select this setting first.

Select the Media Type setting that matches the paper you loaded in the printer. See "Media Type setting list" on page 50 for a list of settings.

Note:

- The availability of Epson media varies by region.*
- When using non-Epson papers, see "Notes on Epson Media and Other Media" on page 143.*
- For the latest information on the Epson media available in your area, see "Where To Get Help" on page 229.*

Media Type setting list

Media Type Setting	Epson Media Name
Premium Luster Photo Paper (260)	Premium Luster Photo Paper (260)
Premium Glossy Photo Paper (250)	Premium Glossy Photo Paper (250)
Premium Semigloss Photo Paper (250)	Premium Semi-gloss Photo Paper (250)
Premium Semimatte Photo Paper (260)	Premium Semimatte Photo Paper (260)
Premium Glossy Photo Paper (170)	Premium Glossy Photo Paper (170)
Premium Semigloss Photo Paper (170)	Premium Semi-gloss Photo Paper (170)
Premium Glossy Photo Paper	Premium Photo Paper Glossy Premium Glossy Photo Paper
Premium Semigloss Photo Paper	Premium Photo Paper Semi-gloss Premium Semigloss Photo Paper
Premium Luster Photo Paper	Ultra Premium Photo Paper Luster Premium Luster Photo Paper
Epson Proofing Paper White Semimatte	Proofing Paper White Semimatte
Epson Proofing Paper Publication	Proofing Paper Publication
Epson Proofing Paper Commercial	Proofing Paper Commercial Proofing Paper Commercial Semimatte
Velvet Fine Art Paper	Velvet Fine Art Paper
Watercolor Paper - Radiant White	Watercolor Paper - Radiant White PremierArt Water Resistant Canvas for Epson Piezo Pro Matte Canvas
Textured Fine Art Paper	Textured Fine Art Paper
UltraSmooth Fine Art Paper	UltraSmooth Fine Art Paper
Singleweight Matte Paper	Singleweight Matte Paper
Photo Quality Ink Jet Paper	Presentation Paper Matte Photo Quality Ink Jet Paper
Enhanced Matte Paper	Ultra Premium Presentation Paper Matte Enhanced Matte Paper
Plain Paper	—
Plain Paper (line drawing)	—

Media Type Setting	Epson Media Name
Tracing Paper	—
Singleweight Matte Paper (line drawing)	Singleweight Matte Paper

Selecting the Color setting

Select **Color** to print color or monochrome photos, or **Black** to print a draft or black text only. If you want to fine-tune your monochrome prints, select **Advanced B&W Photo**.

Selecting the Print Quality setting

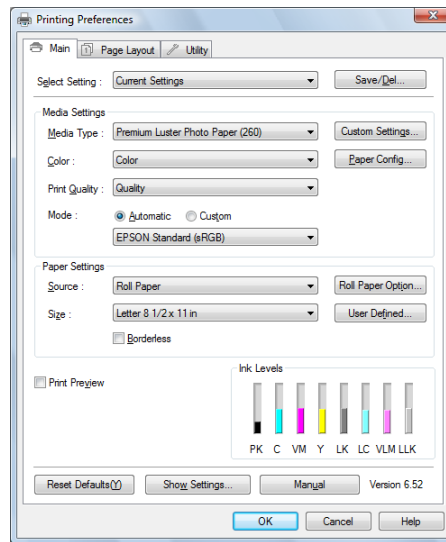
Select a **Quality** option when print quality is more important than print speed, or select **Speed** (if available) when print speed is more important than print quality. For additional options, select **Quality Options** from the drop-down list.

Selecting the Mode setting

Select **Automatic** or **Custom** for the Mode setting.

Automatic mode

Automatic mode is the quickest and easiest way to start printing. When **Automatic** is selected, the printer driver selects all of the detailed settings based on the Media Type and Color settings you select.



Color Control mode

When you select **Color** as the Color setting in Automatic Mode, the Color Control drop-down list appears in the Mode box.

You can select from the following settings.

Charts and Graphs	Enhances colors and lightens the midtones and highlights of an image. Select this setting when printing presentation graphics, such as charts and graphs.
EPSON Standard (sRGB)	Increases the contrast in your printouts. Select this setting when printing color photographs.
Adobe RGB	Matches the color in your image to the Adobe RGB color space.

Color Toning

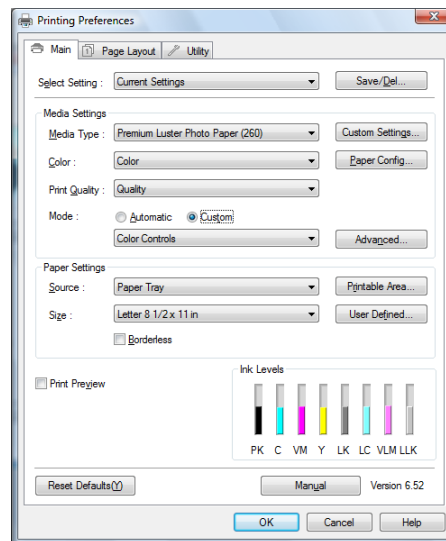
When you select **Advanced B&W Photo** as the Color setting in Automatic Mode, the Color Toning drop-down menu appears in the Mode box.

You can select from the following settings.

Neutral	Provides standard image correction for most photos. Try this first.
Cool	Gives a cool tone to your printouts.
Warm	Gives a warm tone to your printouts.
Sepia	Applies a sepia tone to your printouts.

Custom mode

The Custom mode lets you select a wide range of settings with a single mouse click.



Note:

The preset custom settings may not appear, depending on the Media Type and Color setting you select.

The Custom drop-down list includes the following default custom settings.

Color Controls	This setting lets you select color matching and image-enhancement features. See the next section below for detailed information.
PhotoEnhance	This setting lets you select image-correction settings specially designed for scanned or digitally captured photos. See the next section below for detailed information.
No Color Adjustment	This setting turns off the printer driver color management, which is useful if you are using a color management suite to print with ICC profiles. See "Managing Color with Profiles" on page 218 for detailed information.
ICM	This setting uses Windows color matching to automatically adjust your printout's colors to match the colors on your screen. Select this setting when printing scanned photographs or computer graphics. See the next section below for detailed information.

Selecting the Advanced settings

The Advanced settings give you complete control over your printing environment. Use these settings to experiment with new printing ideas, or to fine-tune a range of print settings to meet your individual needs. Once you are satisfied with your new settings, you can give them a name and add them to the Custom Settings drop-down list.

To access the advanced settings, select **Custom** from the Main tab, and then click **Advanced**. The window you see will depend on the Color and Custom settings you have selected.

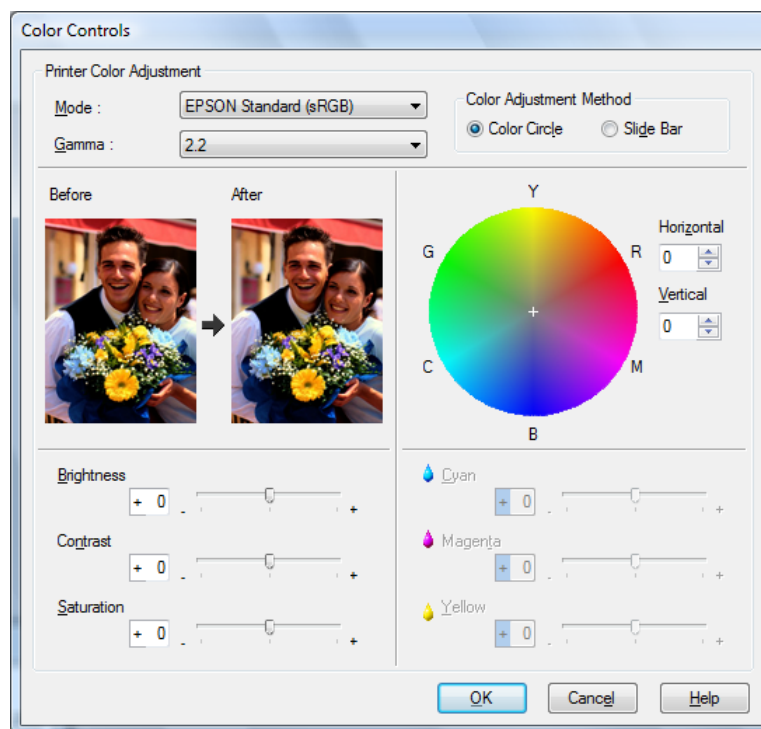
Color Controls

When **Color Controls** is selected as your Custom setting, the window you see will depend on your Color setting.

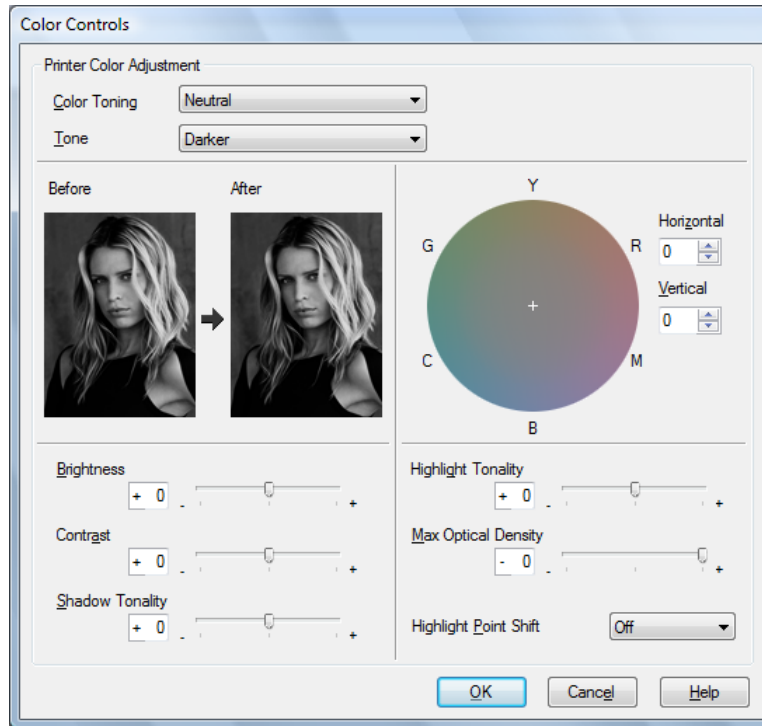
If you select **Color** as your Color setting, you see a window like this one. You can then adjust the color settings. For details on the settings, see the on-screen help.

Note:

When **Black** is selected as the Color setting, you see a similar window, but you can only adjust the Gamma, Brightness, and Contrast settings.

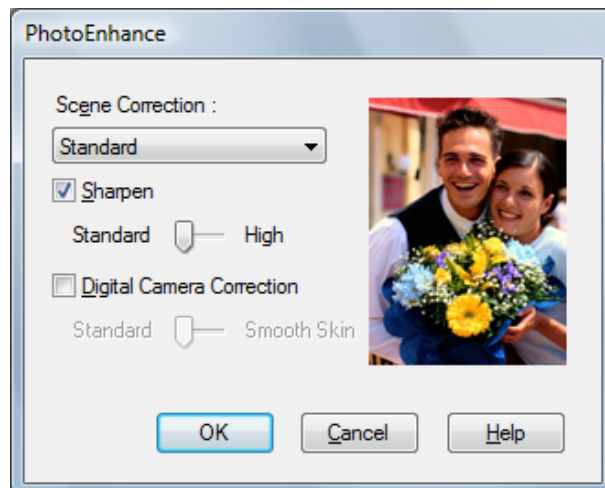


When **Advanced B&W Photo** is selected as the Color setting, you see a window like this one. You can then adjust the advanced monochrome settings. For details on the settings, see the on-screen help.



PhotoEnhance

This setting provides a variety of image-correction settings that you can apply to your printed image before printing. PhotoEnhance does not affect your original image files. When you select this setting, you should select the Digital Camera Correction setting.



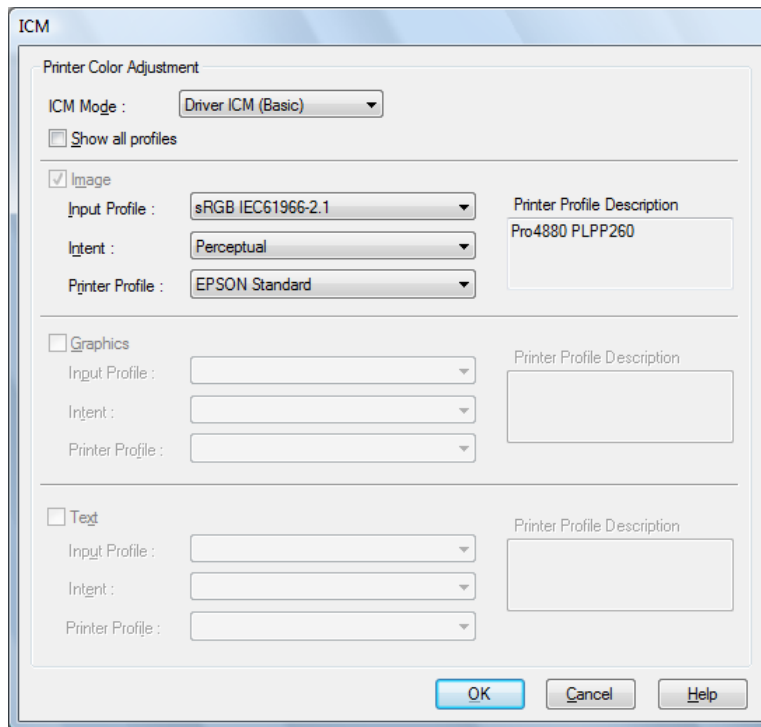
Note:

- This mode is available only with 16-, 24-, or 32-bit color image files.
- Printing with PhotoEnhance selected may increase the print time, depending on your computer system and the amount of the data contained in your image file.

Digital Camera Correction	If you are printing photos taken with a digital camera, select this checkbox to give your printed photos a smooth and natural appearance like that of photos taken with a film camera. Adjust the slider to the Smooth Skin setting to make skin color smooth in your images.
----------------------------------	---

ICM

This setting uses Windows color matching to automatically adjust your printout's colors to match the colors on your screen.

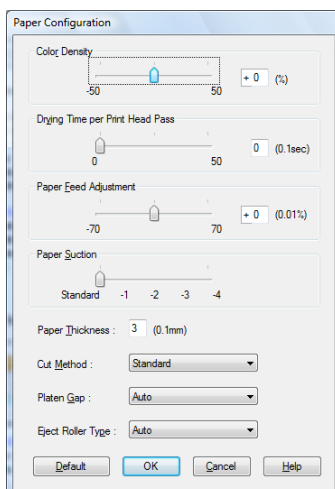


Note:

Ambient light and the age, quality, and settings of your monitor can affect the quality of color matching.

ICM Mode	Select Driver ICM (Basic) , Driver ICM (Advanced) or Host ICM .
Image, Graphics, and Text checkboxes	These checkboxes are available only when Driver ICM (Advanced) is selected as the ICM Mode. Select the checkbox you want to set.
Input Profile	Select an input profile. This setting is not available when Host ICM is selected as the ICM Mode setting.
Intent	Select a rendering intent or color mapping preference: Saturation: Select this option when printing presentation graphics to accurately reproduce vivid colors. Use of this setting is not recommended when printing photos. Perceptual: Select this option when you want an image's color to appear natural, or when rendering a wide color range of an image. Use this setting when printing photos. Relative Colorimetric: Select this setting to render an image by maintaining a relative color range, or when most of the color range before conversion is found in the image after conversion. Use this setting when printing photos. Absolute Colorimetric: Select this setting to render an image by maintaining an absolute color range so that there is a 1-to-1 ratio of absolute lab coordinates. This setting is not recommended when printing photos or normal conversions.
Printer Profile	Select a printer profile.
Printer Profile Description	Shows the description of the selected printer profile.
Show all profiles	Shows all profiles in the Input Profile and the Printer Profile pull-down menu.

Paper Configuration



If you are using non-Epson paper and are experiencing problems with print quality when using Epson Media Type settings, click the **Paper Config** button, and then select settings as necessary.

The following settings in the Paper Configuration window let you select detailed paper settings.

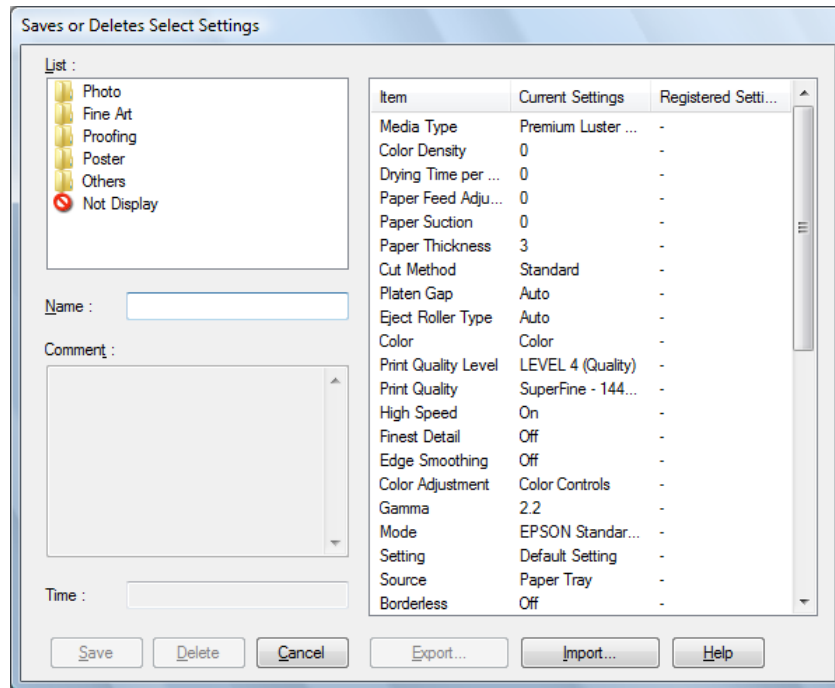
Mode	Description
Color Density	<p>Adjusts the saturation of Colors. Use a value between –50% and +50%. Drag the slider to the right (+) to deepen the color saturation of your printout or left (–) to lighten the color saturation. You can also type a number (–50 to +50) in the text box next to the slider.</p> <p>Use this setting when you print on non-Epson papers. Set the slider to the 0 position when you print on Epson media.</p> <p>Note: Adjusting the color saturation of a printout may not be possible, depending on the printing mode.</p>
Drying Time per Print Head Pass	<p>Pauses the print head for a specified period of time between passes.</p> <p>Set this value using the slider or text box. To improve print quality by using slow ink absorption on the media, set a higher value.</p> <p>The drying time per print head pass can be set from 0 to 5 seconds, in 0.1 second increments.</p> <p>Note: If you use this setting, printing will take longer.</p>

Mode	Description
Paper Feed Adjustment	Controls the paper feeding value, in 0.01% increments. If the paper feeding value is too large, white horizontal micro banding may appear. If the paper feeding value is too small, dark horizontal micro banding may appear.
Paper Suction	Adjusts the Paper Suction value. Decreasing the air suction at the platen is useful to avoid wrinkling or waving of thin or saturated media, or eliminating vertical banding. You can select Standard (100% suction), -1 (50% suction), -2 (30% suction), -3 (10% suction), or -4 (6% suction).
Paper Thickness	This value is set automatically according to the Media Type setting. If you use non-Epson media, modify this value for your media. Refer to the paper specifications, or see "THICKNESS PAT" on page 126 to print a Thickness Pattern to determine the paper thickness.
Cut Method	Determines the best cutting method according to the paper thickness. You can select Standard (normal speed and normal cut pressure), Thin Paper (low cut pressure), Thick Paper, Fast (high speed and high cut pressure), or Thick Paper, Slow (low speed and high cut pressure).
Platen Gap	<p>The platen gap is the distance from the media loaded in the printer to the print head. By adjusting this setting, you can increase the print quality. This is set automatically according to the Paper Thickness setting specified.</p> <p>Note: Setting Platen Gap to Narrow may produce better print quality, but make sure the media does not wrinkle or touch the print head; otherwise, the printout or the print head may be damaged. If this happens, select the Wider or Wide setting.</p>
Eject Roller Type	<p>Select the Eject Roller Type that best fits your media.</p> <p>Auto: The printer selects the most appropriate setting automatically. When you use Epson special media, usually select this setting.</p> <p>Starwheel-Sheet: If you want to print on cut-sheet paper that is non-Epson media, select this setting.</p> <p>Starwheel-Roll Curled: If you want to print on strongly curled roll paper that is non-Epson media, select this setting.</p> <p>No Roller-Roll Normal: If you want to print on roll paper that is non-Epson media, select this setting.</p>
Default button	Click this button to return the settings to their factory default values.

Saving settings

Follow these steps to save your settings.

1. Click **Save/Del**. You see a window like this one.



2. Type a unique name, up to 31 characters, for your settings in the Name text box.
3. Click **Save**. Your setting will be added to the Select Setting List.

You can save up to 100 custom settings (including the preset custom settings). You can select your saved settings from the Select Setting pull-down menu on the Main tab.

When you select your saved settings in the Select Setting list, remember that selecting new settings, for example, Media Type and Color settings, may change your custom settings. This may produce unexpected results in your printouts. If this happens, reselect your saved settings and try printing again.

Note:

The names of the included preset custom settings cannot be used for your new custom settings.

Deleting settings

Follow the steps below to delete your settings.

Note:

You cannot delete the included preset custom settings from the Select Setting list.

1. Click **Save/Del**. You see the Saves or Deletes Select Settings window.
2. Select the name of custom settings you want to delete.
3. Click **Delete**. The setting will be deleted from the Select Setting list.

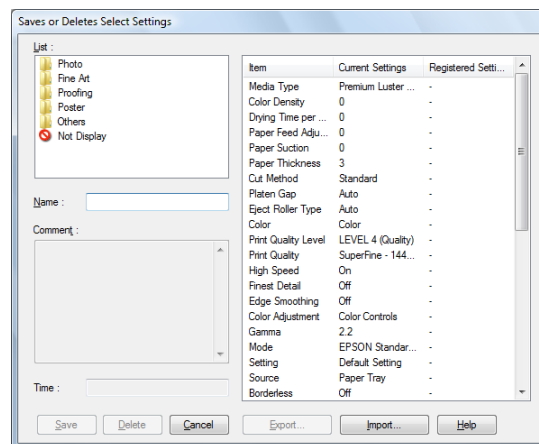
Exporting and importing settings

You can export the custom settings you saved, or import from a custom setting file created in another environment.

Exporting the settings

To export your custom settings, follow these steps:

1. Click **Save/Del**. You see the Saves or Deletes Select Settings window.
2. Select the custom setting you want to export.



3. Click **Export**.
4. Select the location where you want to save the file to, and then enter a file name.

5. Click **Save**.
6. When the message “Processing complete.” appears, click **OK**.

Importing settings

Follow the steps below to import custom settings.

1. Click **Save/Del**. You see the Saves or Deletes Select Settings window.
2. Click **Import**.
3. Browse to the folder that contains the file you want to import, and then select the file.
4. Click **Open**.
5. When the message “Processing complete.” appears, click **OK**.

Selecting the Paper Source setting

You can select **Paper Tray**, **Roll Paper**, or **Roll Paper (Banner)**, or **Manual Feed** from the Source drop-down list. Select the setting that matches the path you loaded paper in.

Selecting the Borderless setting

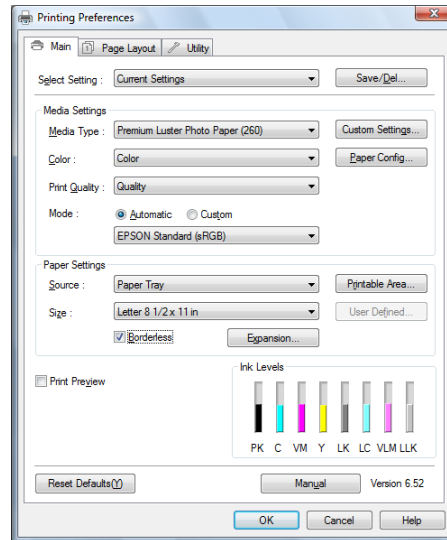
Note:

- If your application has margin settings, make sure they are set to zero before printing.*
- When you print on cut sheet media, only the left and right margins are set to zero. Full borderless printing is available on roll paper only.*
- Ink may spray on the printer’s platen. If this happens, wipe the ink away using a cloth.*
- Printing with this feature takes longer than normal printing.*
- Smearing may occur at the top and bottom edges of the printout depending on the media.*

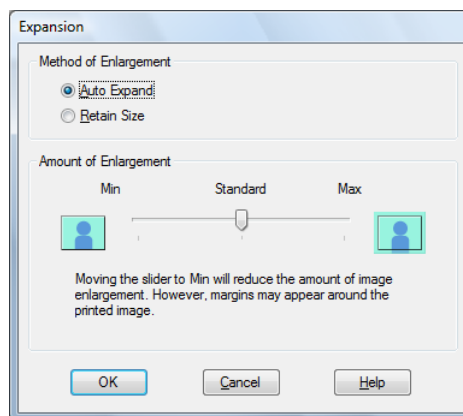
- ❑ *When you use Premium Glossy Photo Paper (250) roll paper or Premium Semigloss Photo Paper (250) roll paper, the top margin is always 20 mm.*
- ❑ *Borderless printing is not available when the PPR SIZE CHK setting is turned off. Make sure that ON is selected for PPR SIZE CHK on the printer's control panel.*

Follow these steps to select borderless print settings:

1. Click the **Borderless** checkbox.



2. Click the **Expansion** button. You see a window like this one.



3. Choose **Auto Expand** or **Retain Size**, and the amount of enlargement.

Auto Expand	<p>Select this setting if you want to enlarge the size of print data automatically and print without margins. You can choose the amount of enlargement by moving the slider.</p> <p>Note: Enlarged areas that exceed the paper size will not be printed on the paper.</p>
Retain Size	<p>Select this setting if you do not want to change the ratio of your print data.</p> <p>When you select this setting, you need to enlarge your image data to exceed the paper width, to avoid unprinted areas appearing along all four edges. Using your application, increase your image width by 0.25 in. (6.35 mm) and your image height by 0.1 inch (2.54 mm).</p>
Amount of Enlargement	<p>When you select Auto Expand, the slider becomes available, so you can control the amount of the image that extends beyond the edges of the paper during borderless printing.</p> <p>For most print jobs, Max is recommended in order to eliminate margins on all sides of the paper.</p> <p>Moving the slider towards Min decreases the amount of the image enlargement; however, as this amount decreases, a white border may appear on one or more sides of the print.</p>

4. Select your roll paper options. See "Selecting the Roll Paper Option settings" on page 68.
5. Click **OK**.
6. Start printing your image from your application.

Selecting the Paper Size setting

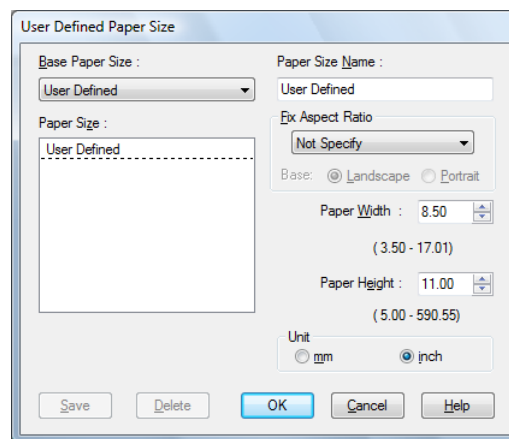
Select the paper size that matches the paper you loaded in the printer from the Size drop-down list.

You can also add a custom paper size. Follow the steps below.

1. Click **User Defined**. You see a window like this one.

Note:

You cannot click **User Defined** when **Borderless** is selected if you've selected **Paper Tray** or **Manual Feed** as your Source setting.



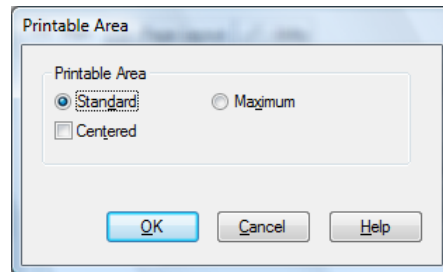
2. Select a Unit setting, then enter a **Paper Size Name**, **Paper Width**, and **Paper Height**.
3. Click **OK** to save the custom paper size.

Note:

- ❑ You can save up to 100 custom paper sizes.
- ❑ To delete a custom paper size, select the name of the paper size you want to delete and then click **Delete**.
- ❑ You can enter up to 24 characters for the Paper Size Name.

Selecting the Printable Area setting

Printable area settings are available when you select **Paper Tray** or **Manual Feed** as the Source setting. Click **Printable Area**. You see a window like this one.



Standard

Select this setting to use the standard printable area.

Note:

This setting is only available for select media types.

Maximum

Select this setting to increase the printable area at the bottom edge.

Note:

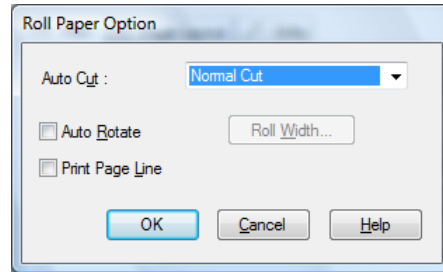
- This setting is recommended for plain paper only, and it is only available for select media types.*
- The print quality may decline at the edges of printouts when this setting is selected. Before printing large jobs using this setting, print a single sheet to check the quality. When this setting is selected, make sure that paper loaded in the paper tray is not curled.*

Centered

Select this setting to center printouts.

Selecting the Roll Paper Option settings

Roll Paper Option settings are available when you select **Roll Paper** or **Roll Paper (Banner)** as the Source setting. Click **Roll Paper Option**. You see a window like this one.



Auto Cut

You can select the following cutting methods.

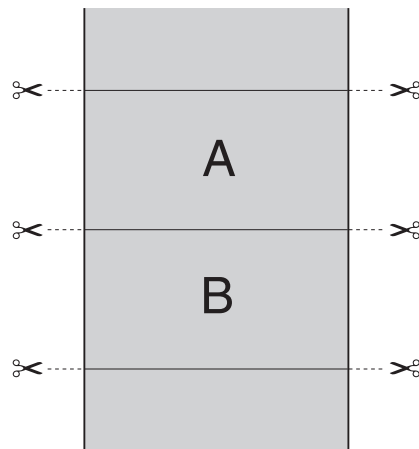
Single Cut

Select this setting if you want to save paper.

If you select this setting, the boundary of a picture or the boundary of a page is cut. However, the cut position may shift slightly.

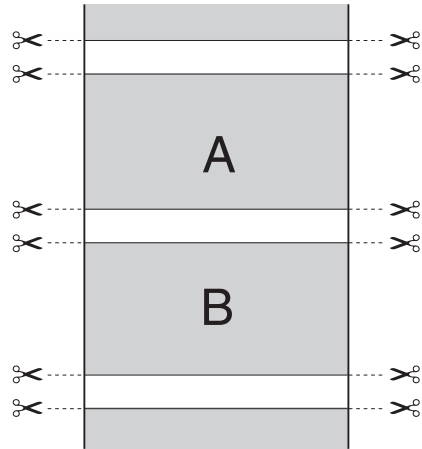
Note:

When you print on Premium Glossy Photo Paper (250) roll paper or Premium Semigloss Photo Paper (250) roll paper, do not select this setting; otherwise, print quality may decline.



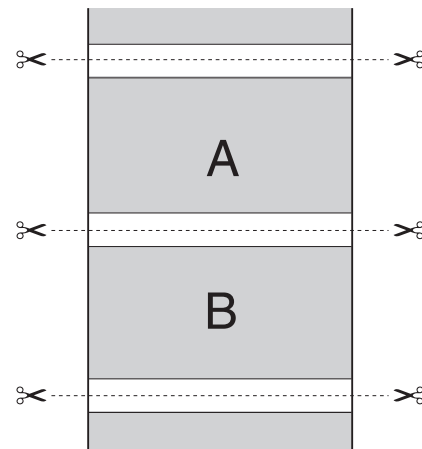
Double Cut

Select this setting to avoid the slight gap that occurs with the Single Cut setting. A margin is created between the pictures, and 1 mm along the inside of each picture is cut.



Normal Cut

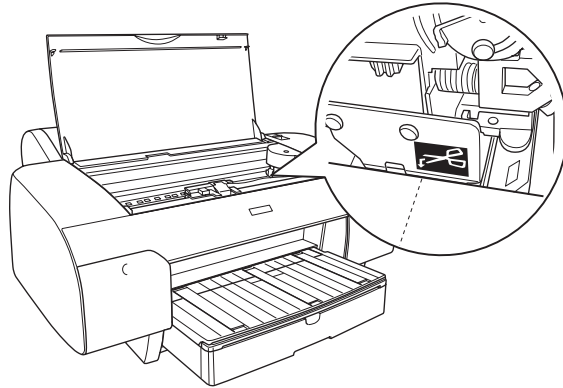
Select this setting to keep margins at the top and bottom of the printed data.



Off

Select this setting to cut the printouts manually. To cut the printouts manually, follow the steps below.

1. Press the ∇ paper feed or \blacktriangle paper feed button to match the cutting position on the paper with the cutting position on the left side of the print head.



2. Press the \leftarrow paper source button to select roll roll auto cut on.
3. Press and hold the \leftarrow paper source button for 3 seconds. The printer cuts the printout at the cutting position.

Auto Rotate

This function is effective only when the image length is shorter than the printable width of the roll paper. The image will automatically be turned 90 degrees, saving roll paper.

Note:

*This function is available only when **Roll Paper** is selected as the Source setting.*

To enable this function, follow the steps below.

1. Click **Auto Rotate**, then click **Roll Width**.
2. In the Roll Paper Width window, select your roll paper width from the pull-down menu, then click **OK**.

Print Page Line

You can specify whether to print a page line on the right side and also below the printed data for manual cutting.

When you have checked the **Print Page Line** checkbox, the print page line feature functions differently depending on the Auto Cut setting, as described below.

Auto Cut setting	Printer's function
Single Cut Double Cut Normal Cut	Prints a page line on the right side only, and cuts paper automatically after the print job.
Off	Prints page lines on the right side and below the data, but does not cut paper automatically after the print job.

Selecting the Save Roll Paper setting

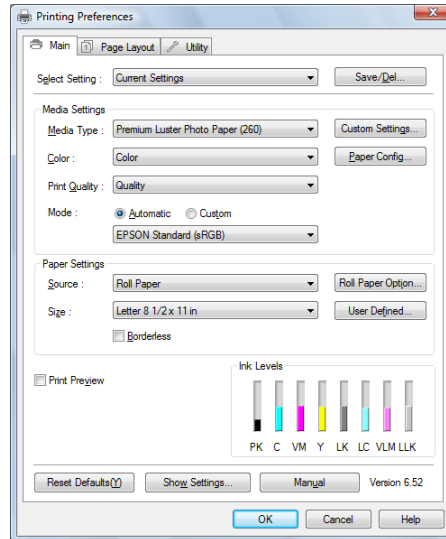
This function is effective if you wish to save roll paper, because blank portion of the last page of your printed data is not fed through the printer. To enable this function, click **Save Roll Paper**.

Note:

*This function is available only when **Roll Paper (Banner)** is selected as the Source setting.*

Checking Ink Levels

You can check the status of each ink cartridge.

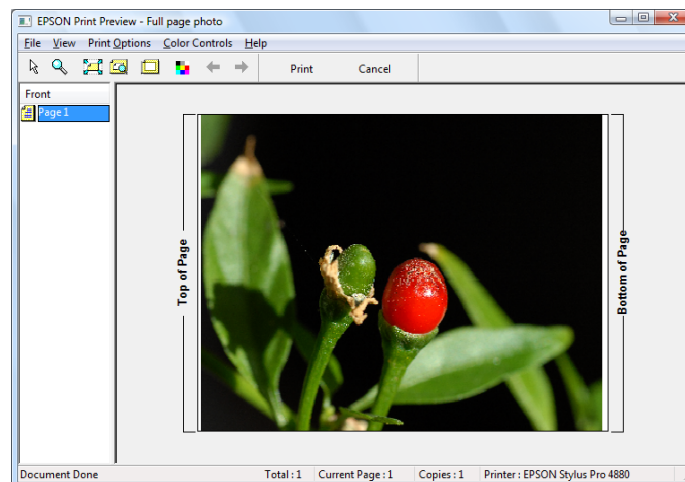


Note:

If your printer is not connected properly or Epson Status Monitor 3 is not installed, all of the Ink Levels will be grayed out.

Previewing your printout








If you select the **Print Preview** checkbox on the Main tab, you can see how your printout will look before you print it. When you send a print job to the printer, the Epson Print Preview window appears, allowing you to make changes before printing.



Note:

The Print Preview window is not color accurate.

The Epson Print Preview toolbar contains several buttons you can use to perform the following functions.

	Zoom	Click this button to reduce or enlarge the size of the previewed image.
	Fit to Screen	Click this button to scale the previewed image so that it fits the current window size. This is convenient when you want to see the entire image at one time.
	Maximum Zoom	Click this button to display the previewed image at the maximum possible zoom ratio.
	Printable Area On/Off	Click this button to display a rectangle indicating the printable area on the previewed image. The printer cannot print anything outside of this rectangle. Click this button again to turn the printable area indicator off.
	Color Controls	Click this button to open the Color Controls window.
	Previous Page	Click this button to display the previous page. If there is no previous page, this button is not available.
	Next Page	Click this button to display the next page. If there is no next page, this button is not available.

You can also modify the previewed print job in the following ways:

- Select and preview individual pages.
- Reduce or enlarge the size of preview.
- Select and print any or all pages.

- ❑ Magnify the previewed document: Click **View** and then select **Magnify** to open the Magnify window, which magnifies the area of the previewed document outlined by the red box. Drag the red box to view other parts of the image.
- ❑ Specify which pages in the document you want to print: Click **Print Option**, and then select **Remove Page** or **Add Page**.

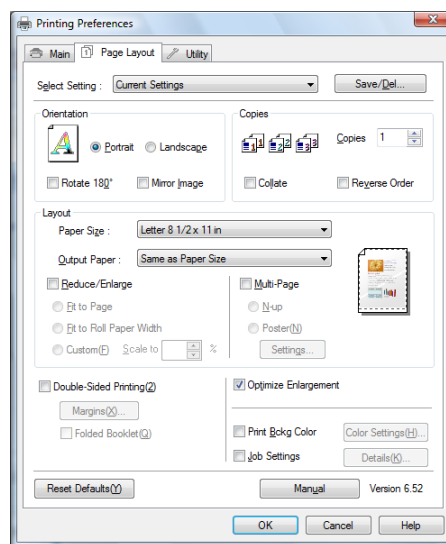
After you preview the print job, click **Print** to print it, or click **Cancel** to cancel the print job.

Using the Manual function

You can access the *User's Guide* by clicking the **Manual** button.

Selecting Settings on the Page Layout Tab

You can select Orientation, Copies, Reduce/Enlarge, Multi-Page, Double-Sided Printing, Optimize Enlargement, Job Settings, and Print Background Color settings on this tab.

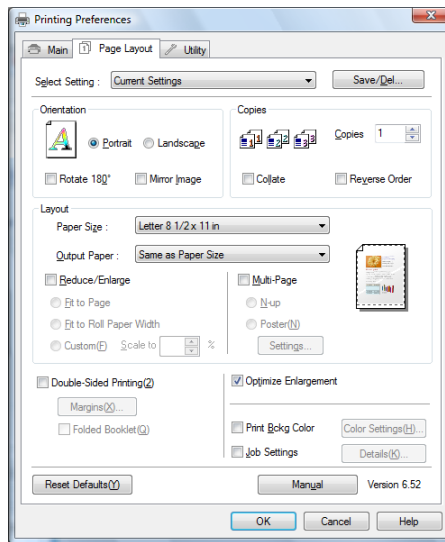


Note:

- ❑ *Most Windows applications feature page layout settings that override similar settings in the printer driver. If your application does not have these features, verify the settings on the printer driver's Page Layout tab.*
- ❑ *Some of the functions are not available depending on the paper source you choose.*

Selecting the Orientation settings

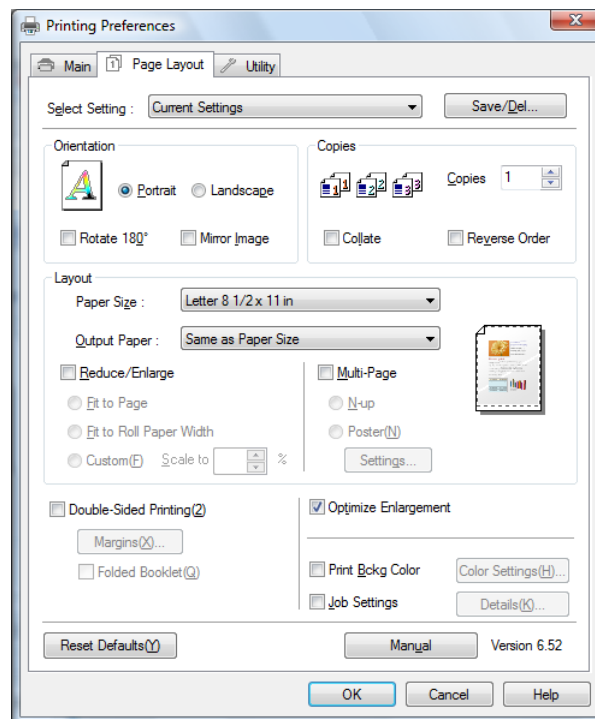
You can specify the direction of printing on the page using the settings in the table below.



Portrait	Print direction is short edge first, like most magazines.
Landscape	Print direction is long edge first, like many spreadsheets.
Rotate 180°	Prints your document upside down.
Mirror Image	Prints your image as it would appear in a mirror. Text and graphics appear reversed.

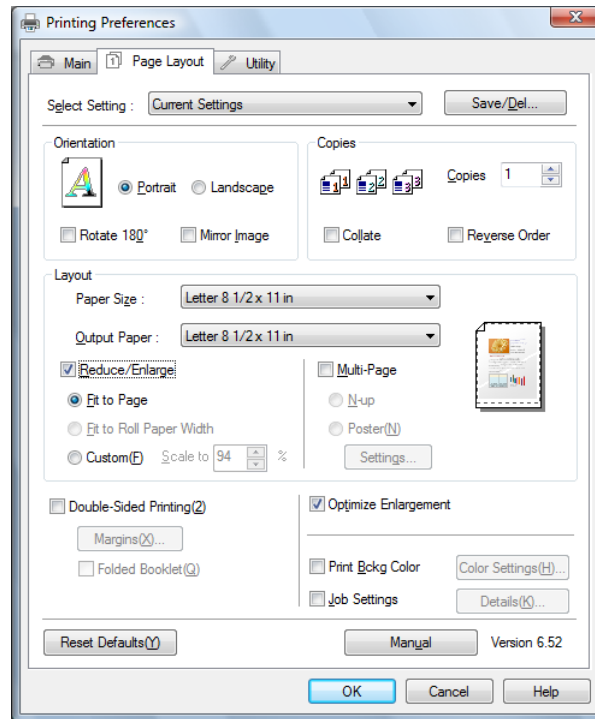
Selecting the Copies setting

Enter a number in the Copies box, or click the arrow next to the box to specify the number of copies you want to print. You can enter any number from 1 to 9999. When printing multiple copies of your document, select **Collate** to print one complete document set at a time. Select **Reverse Order** to print your documents in reverse order, starting with the last page.



Selecting the Reduce/Enlarge settings

You can fit your image to the size of paper you want to print on. To enable this feature, click the **Reduce/Enlarge** checkbox. When this feature is enabled, you can select the following settings.



Fit to Page	Proportionally enlarges or reduces the size of your image to make it fit the paper size you have selected as the Output Paper setting.
Fit to Roll Paper Width	Proportionally enlarges or reduces the size of your image to make it fit the paper size you have selected as the Roll Width setting (only available when you select Roll Paper as your Source setting on the Main tab).
Custom	Lets you define the percentage you want to reduce or enlarge your image. Click the arrows next to the Scale box to select a proportion from 10 to 650%.

Selecting Double-Sided Printing setting

There are two types of double-sided printing available. Standard double-sided printing allows you to print the odd-numbered pages first. Once these pages are printed, the paper can be reloaded for printing the even-numbered pages onto the opposite side of the paper.

You can also select Folded Booklet double-sided printing to make single-fold booklets.

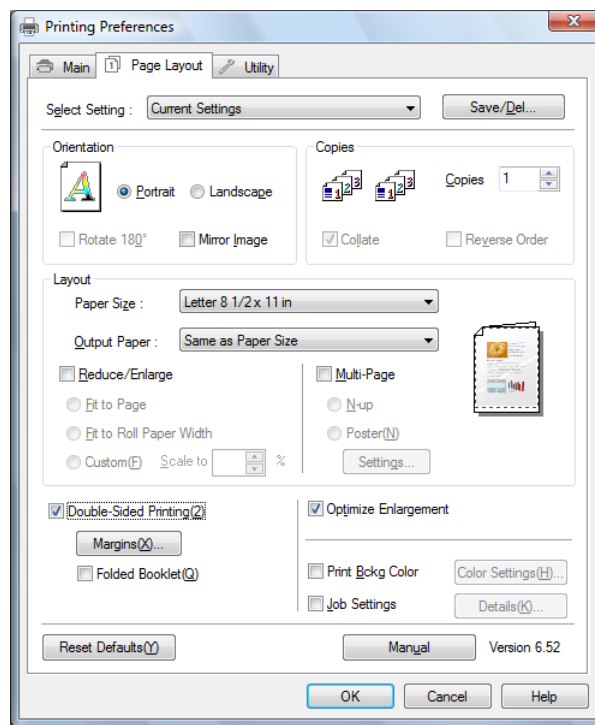
Note:

- ❑ *The double-sided printing feature is not available when the printer is accessed over a network or used as a shared printer, Status Monitor 3 is not installed, or your system is not configured to support bi-directional communication.*
- ❑ *Only use media types that are suitable for double-sided printing; otherwise, the print quality may deteriorate.*
- ❑ *Depending on the type of paper and the amount of ink used to print text and images, ink may bleed through to the other side of the paper.*
- ❑ *The surface of the paper may be smeared during double-sided printing.*
- ❑ *This function is available only when **Paper Tray** is selected as the Paper Source setting.*

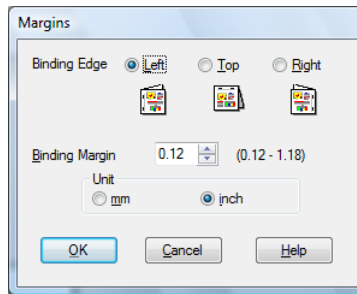
Standard double-sided printing

Follow the steps below to print odd and even numbered pages on the opposite sides of a sheet.

1. Click the **Double-Sided Printing** checkbox.



2. Click **Margins**. You see a window like this one.



3. Select the edge of the paper where binding will be placed. You can choose **Left**, **Top**, or **Right**.
4. Specify the width of the binding margin in the Binding Margin text box. You can specify any width from 0.12 to 1.18 in. (3.0 to 30.0 mm).

Note:

The actual binding margin may vary depending on the settings specified in your application. We recommend that you print a test print before printing an entire job.

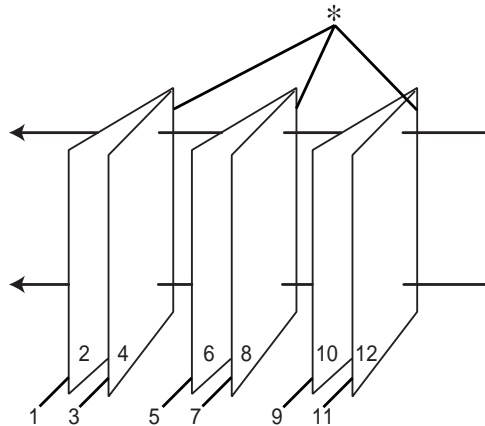
5. Click **OK** to return to the Page Layout tab, and then click **OK** to save your settings.
6. Make sure paper is loaded, and then send a print job from your application. Instructions for printing the even-numbered pages will be displayed while the odd-numbered pages are being printed.
7. Follow the on-screen instructions to reload the paper and print the even numbered pages.

Note:

- The paper may curl during printing due to the amount of ink used. If this happens, slightly curl the sheets in the opposite direction prior to reloading them into the printer.*
 - Align the stack of sheets by tapping them against a hard, flat surface prior to reloading them into the printer.*
 - Follow the on-screen instructions provided when reloading the printed pages. Paper jams or improperly placed binding margins may occur if the pages are not reloaded correctly.*
 - In the event of a paper jam, see "Clearing paper jams" on page 209.*
8. Once the paper is reloaded, click **Resume** to print the even-numbered pages.

Folded Booklet double-sided printing

You can make single-fold booklets using the double-sided printing feature. When you create a single-fold booklet, the pages that appear on the outside (after the booklet is folded) are printed first. The pages that will appear inside the booklet can then be printed after the paper is reloaded into the printer.

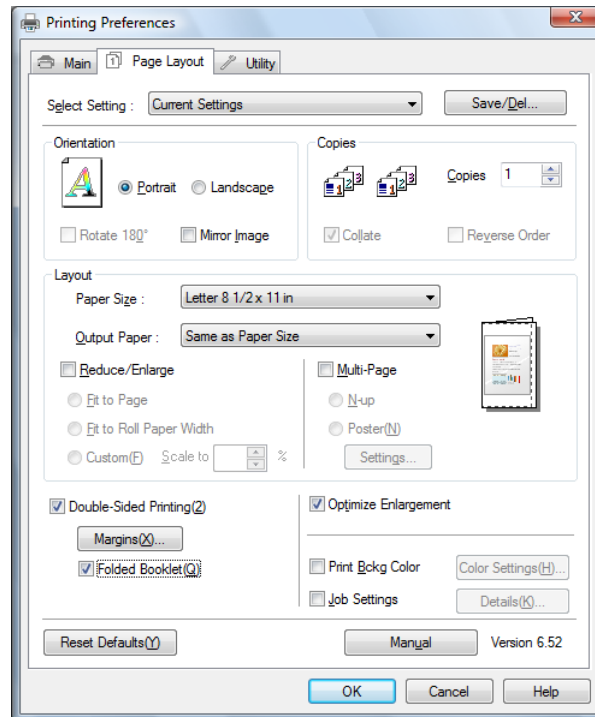


*** Binding Edge**

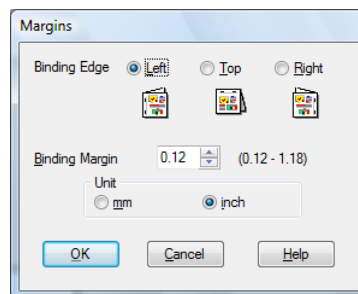
A booklet can be created by printing pages 1 and 4 on the first sheet of paper, pages 5 and 8 on the second sheet of paper, and pages 9 and 12 on the third sheet of paper. After these sheets are reloaded into the sheet feeder, you can then print pages 2 and 3 on the back of the first sheet of paper, pages 6 and 7 on the back of the second sheet of paper, and pages 10 and 11 on the back of the third sheet of paper. The resulting pages can then be folded and bound together into a booklet.

Follow the steps below to create a booklet.

1. Click the **Double-Sided Printing** checkbox, and then click the **Folded Booklet** checkbox.



2. Click **Margins**. You see a window like this one.

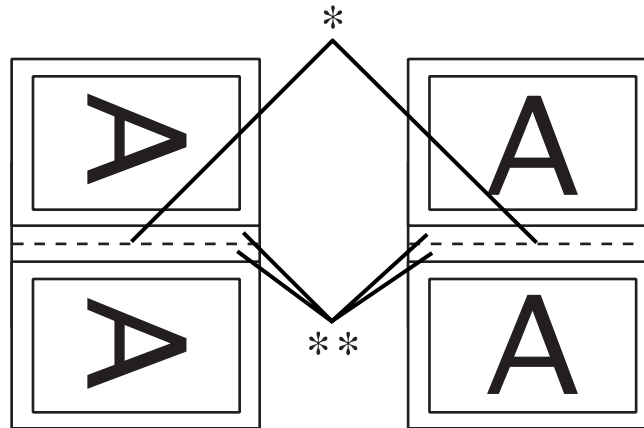


3. Select the edge of the paper where binding will be placed. You can choose **Left**, **Top**, or **Right**.

Note:

When **Portrait** is selected as the Orientation setting on the Paper tab, Left or Right binding positions are available. The Top binding position is available when **Landscape** is selected as the Orientation setting.

- Specify the width of the binding margin in the Binding Margin text box. You can specify any width from 0.12 to 1.18 in. (3.0 to 30.0 mm). The specified margin width will be used on both sides of the fold. For example, if you specify a 0.39-in (1-cm) margin, the printer will leave a 0.79-inch (2-cm) margin in the center (0.39 in. [1.0 cm] will be placed on each side of the fold).



* Folding Edge

** Margin

- Click **OK** to return to the Page Layout tab, and then click **OK** to save your settings.
- Make sure paper is loaded, and then send a print job from your application.
- You will see instructions for printing the inside pages while the outside pages are being printed. Follow the on-screen instructions to reload the paper.

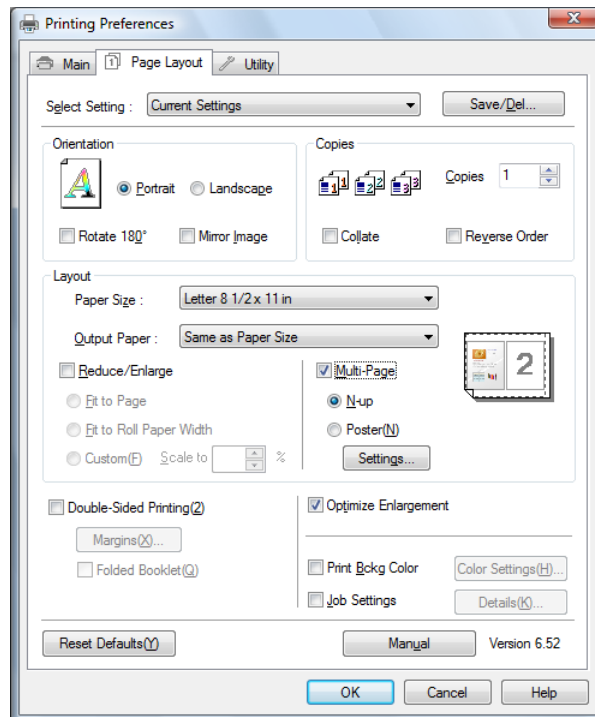
Note:

- The paper may curl during printing due to the amount of ink used. If this happens, slightly curl the sheets in the opposite direction prior to reloading them into the printer.*
- Align the stack of sheets by tapping them against a hard, flat surface prior to reloading them into the printer.*
- Follow the on-screen instructions provided when reloading the printed pages. Paper jams or improperly placed binding margins may occur if the pages are not reloaded correctly.*

8. Once the paper is reloaded, click **Resume** to print the inside pages.
9. Once printing is complete, fold the sheets and bind them together using a stapler or other binding method.

Selecting Multi-Page settings

Selecting Multi-Page lets you choose between the N-up and Poster settings.

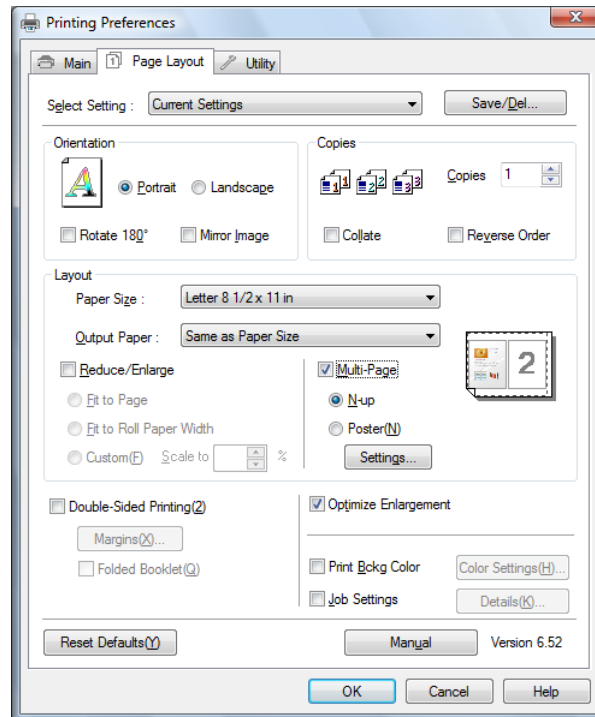


Note:

You cannot use the Multi-Page feature when you are printing borderless.

Selecting N-up settings

Select **N-up** as the Multi-Page setting to print two or four pages of your document on one sheet of paper.



When **N-up** is selected, you can click the **Settings** button and then select the following settings in the Print Layout window.

Number of pages per sheet	Prints two or four pages of your printout on a single sheet of paper.
Page Order	Selects the order in which the pages will be printed. Some settings may be unavailable, depending on the Orientation setting you selected on the Page Layout tab.
Print page frames	Prints frames around the pages printed on each sheet.

Selecting the Optimize Enlargement setting

Click the **Optimize Enlargement** checkbox to print a long poster or panorama without using a special application.

Note:

When using the Optimize Enlargement feature, text and graphics may be distorted.

Selecting the Print Background Color setting

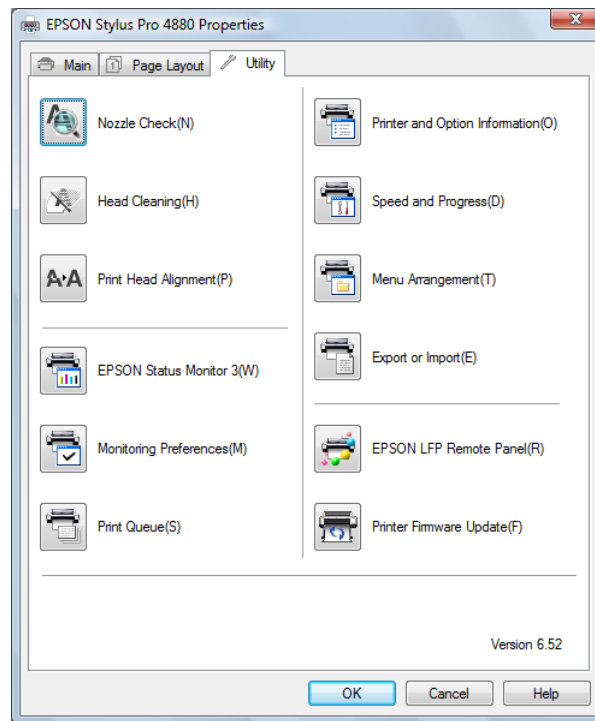
Click the **Print Bckg Color** checkbox. Then click **Color Settings**, select your background color, and click **OK**.

Selecting the Job Settings

Click the **Job Settings** checkbox to print job settings on your printout. To select which settings to include, click **Details**, select the settings you'd like to print, then click **OK**.

Using the Printer Utilities

The Epson printer utilities let you check the printer's status and perform printer maintenance from your computer.



Note:

- ❑ The letter in parentheses after the utility name indicates the shortcut key for that utility. Press **ALT** and the letter on the keyboard to open that utility.
- ❑ Do not use the Nozzle Check, Head Cleaning, or Print Head Alignment utilities while printing is in progress; otherwise, your printout may be marred.

Nozzle Check

This utility checks the print head nozzles for clogging. Check the nozzles when you notice the print quality has declined, when you are experiencing horizontal banding, and after cleaning the print head to confirm that the print head nozzles have been cleaned. See "Checking the print head nozzles" on page 88.

If you click **Auto** in the Nozzle Check dialog, or select **ON** as the **AUTO CLEANING** setting of the printer's control panel, this utility not only checks the clogging nozzles, but also cleans the print head automatically.

Head Cleaning

This utility cleans the print head. You may need to clean the print head if you notice the print quality has declined. See "Cleaning the print head" on page 89.

Print Head Alignment

Use this utility to improve the quality of your printed images. For example, if vertical lines appear out of alignment or if white or black banding appears in your printed image. You can use this utility to realign the print head. See "Aligning the print head" on page 90.

EPSON Status Monitor 3

This utility provides information about the ink cartridges and maintenance tank. Epson Status Monitor 3 also checks for printer errors. See "Using Epson Status Monitor 3" on page 97.

Note:

Epson Status Monitor 3 is available when your system is configured to support bi-directional communication. This utility may not be available when the printer is being accessed over a network.

Monitoring Preferences

Use this utility to specify the monitoring features of Epson Status Monitor 3. See "Selecting Monitoring Preferences" on page 91.

Printer and Option Information

Use this utility to check or select the blank ink set in the printer.

Print Queue

Use this utility to display the list of pending print jobs. You can also cancel or restart print jobs.

Speed and Progress

Use this utility to adjust settings related to print speed and progress. See "Selecting Speed and Progress settings" on page 92.

Menu Arrangement

Use this utility to determine the arrangement of the Select Setting, Media Type, and Size drop-down lists on the Main tab. See "Selecting Menu Arrangement settings" on page 94.

Export or Import

Use this utility to export or import all of your custom settings to a file. This is useful if you want to distribute the same sets of custom settings to multiple computers.

EPSON LFP Remote Panel

This utility lets you optimize your printer. See "Starting Epson LFP Remote Panel" on page 94.

Printer Firmware Update

Use this utility to start Epson LFP Remote Panel and update the printer firmware. To use this function, you must first download the latest firmware from epson.com/support.

Checking the print head nozzles

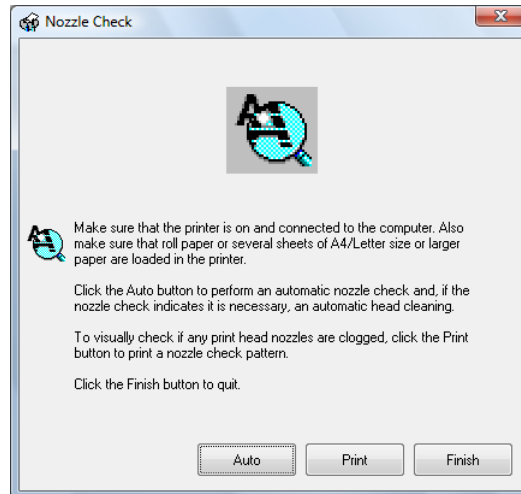
If you find that your printed image is unexpectedly faint or dots in your printed image are missing, you may be able to identify the problem using the Nozzle Check utility.

Note:

Do not start the Nozzle Check utility while printing is in progress; otherwise, your printout may be marred.

1. Make sure that several sheets of A4/Letter size or larger paper are loaded in the printer's auto sheet feeder.
2. Click **Nozzle Check**.

3. Click **Print** if you want to visually check if any print head nozzles are clogged. Click **Auto** if you want to perform an automatic nozzle check, and if the nozzle check indicates it is necessary, perform an automatic head cleaning.



4. Follow the on-screen instructions to print a nozzle check pattern.

If the nozzle check shows missing dots, clean the print head as described below.

Cleaning the print head

If you find that your printed image is unexpectedly faint or dots in the printed image are missing, you may be able to solve these problems by using the Head Cleaning utility to clean the print head. This ensures that the nozzles are delivering ink properly.

Note:

- Do not start the Head Cleaning utility while printing is in progress; otherwise, your printout may be marred.*
- To save ink, use the Nozzle Check utility first to confirm that the print head needs to be cleaned.*
- When the ink status light is flashing or on, you cannot clean the print head. Replace the appropriate ink cartridge first. See "Replacing Ink Cartridges" on page 169.*

1. Make sure the printer is turned on and the ink status light is off, and that a few sheets of A4/Letter size or larger paper is loaded in the printer's auto sheet feeder.
2. Click **Head Cleaning**.
3. Follow the on-screen instructions.
4. Click **Print Nozzle Check Pattern** in the Head Cleaning dialog box to confirm that the head is clean and to reset the cleaning cycle.

If dots are still missing after cleaning, try the following:

- Repeat this procedure three or four times, turn the printer off and let it sit overnight, and then try head cleaning again.
- Select **POWER CLEANING** from the control panel on the printer. See "PWR CLEANING" on page 128. This consumes ink, so only use this cleaning when necessary. You can also use the LFP Remote Panel to run a power cleaning.
- Replace any ink cartridge that is old or damaged.

If the print quality remains a problem after you have tried these solutions. See "Where To Get Help" on page 229.

Aligning the print head

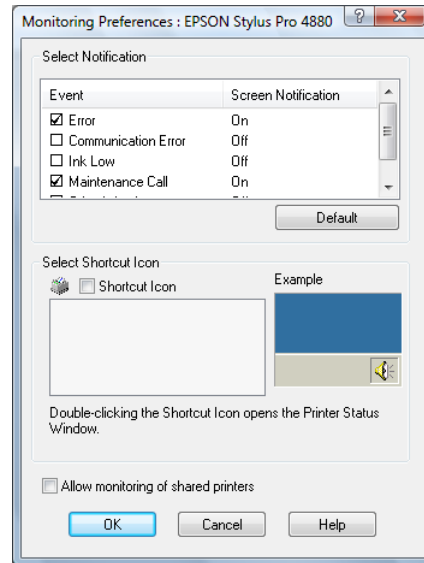
If you see misaligned lines or black or white vertical banding in your printed image, you may be able to solve the problem using the Print Head Alignment utility to align the print head.

1. Make sure that the printer is turned on, it's in the READY state, and that a few sheets of A4/Letter size or larger Epson media are loaded in the printer's auto sheet feeder.
2. Click **Print Head Alignment**.
3. Follow the on-screen instructions to align the print head.

Selecting Monitoring Preferences

This function lets you specify the monitoring features of Epson Status Monitor 3.

1. Click **Monitoring Preferences**. You see a window like this one.



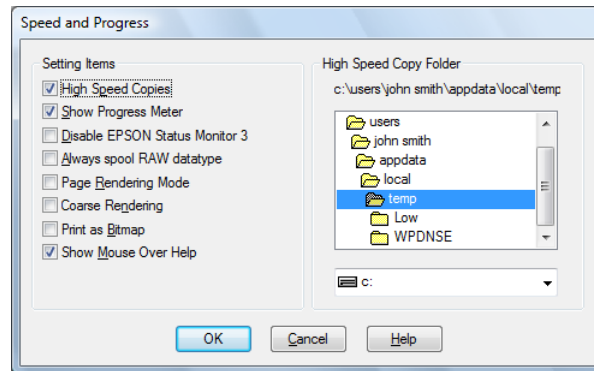
2. You can select the following settings.

Select Notification	Displays the current error item notification settings. Select the checkboxes to specify the error types you want to receive notification for.
Select Shortcut Icon	Select the Shortcut Icon checkbox to display a shortcut icon in your Windows taskbar. Clicking the shortcut icon in the taskbar will open Epson Status Monitor 3. Click the icon you prefer as shortcut icon, and you can preview the icon at the right.
Allow monitoring of shared printers	Allows you to monitor the status of a shared printer.

3. Click **OK**.

Selecting Speed and Progress settings

Use the speed and progress settings for greater control over the printer's operation. Click **Speed and Progress** on the Utility tab. You see a window like this one.



High Speed Copies

To print multiple copies of your images faster, click the **High Speed Copies** checkbox. This speeds up printing by using your hard disk space as a cache when printing multiple copies of an image.

Show Progress Meter

To display the Progress Meter every time you print, click the **Show Progress Meter** checkbox. Then, you can monitor the progress of your print job.

Disable EPSON Status Monitor 3

If you don't want to monitor your printer's status with Epson Status Monitor 3, click the **Disable EPSON Status Monitor 3** checkbox. Disabling is not recommended since monitoring is necessary to use other features such as Printer Firmware Update.

Always spool RAW datatype

To enable NT-based clients spool documents to use the RAW format instead of the EMF (metafile) format, click the **Always Spool Raw datatype** checkbox (Windows NT-based applications use the EMF format by default).

Try using this option if documents spooled in the EMF format do not print correctly.

Depending on the type of image you are printing, spooling RAW datatype requires fewer resources than EMF. You may be able to solve problems, such as “Insufficient Memory/Disk Space to Print”, “Slow print speed”, etc.

Note:

When you spool RAW datatype, the print progress displayed by the Progress Meter may be inaccurate.

Page Rendering Mode

Use this function when the print speed is extremely slow or when the print head stops for a few minutes while printing. When this checkbox is selected, the print speed may improve by rendering the job as a page.

Note:

- When you use Page Rendering Mode, the print progress displayed in the Progress Meter may be inaccurate.*
- Printing may take longer to start.*

Coarse Rendering

Use this function if the output length (number of pixels) is limited by your application. Longer print output is made possible by reducing the resolution to restrict the number of pixels to stay within the application’s limit.

Print as Bitmap

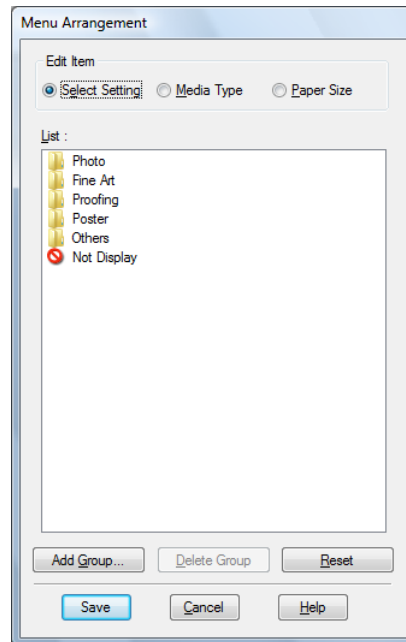
Use this function when the print speed is extremely slow or when the print head stops for a few minutes while printing. Try this option if selecting the **Always spool RAW datatype** and **Page Rendering Mode** settings does not solve the problem.

Show Mouse Over Help

Use this function to show help when you move the mouse pointer over an item.

Selecting Menu Arrangement settings

Use this utility to arrange the Select Setting, Media Type, and Paper Size items. Click **Menu Arrangement** on the Utility tab. You see a window like this one.



1. Select the item you want to edit. You can do the following:
 - Drag and drop the items to rearrange them
 - Add or delete groups
 - Move unused items into the Not Display group
2. When you're finished, click **Save**.

Starting Epson LFP Remote Panel

Use this utility to optimize your printer.

1. Make sure the printer is turned on.
2. Click **EPSON LFP Remote Panel**.

3. Follow the on-screen instructions. (See the Epson LFP Remote Panel on-screen help for details.)

Getting Information Through On-screen Help

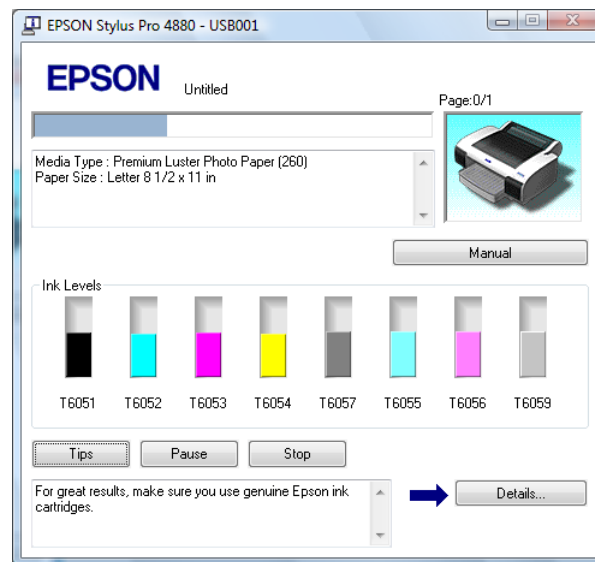
Your printer software has extensive on-screen help, which provides instructions for printing, selecting printer driver settings, and using printer utilities.

1. Select **Print** or **Page Setup** from the File menu.
2. Click **Printer**, **Setup**, **Options**, or **Properties**. Depending on your application, you may need to click a combination of these buttons. You can also access the printer software.
3. You can view a detailed explanation of a setting by:
 - Clicking the (?) button on the top right of the printer driver window, and then clicking an item.
 - Right-clicking the item, and then clicking the **Help** button.
 - Clicking **Help** on the Main, Paper, Layout, or Utility tabs for help related to the item on that tab.

Checking Printer Status and Managing Print Jobs

Using the Progress Meter

When you send a print job to the printer, the Progress Meter window opens.



It indicates the progress of the current print job and provides printer status information when bi-directional communication between the printer and your computer is established. This meter also displays helpful tips for better printing and error messages.

Note:

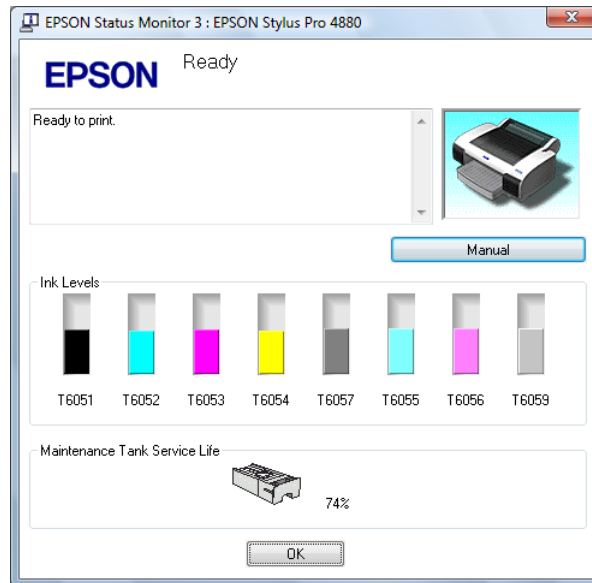
*The Progress Meter window does not appear when the **Show Progress Meter** checkbox is turned off in the Speed and Progress window. See "Selecting Speed and Progress settings" on page 92 for more information.*

Error messages

If a problem occurs during printing, an error message appears in the text box at the top of the Progress Meter window.

Using Epson Status Monitor 3

Epson Status Monitor 3 displays detailed information on the printer status.



Accessing Status Monitor 3 from the Windows taskbar

To access Status Monitor 3, double-click the printer icon on the Windows taskbar.

Note:

If the icon is missing from the Windows taskbar, see "Selecting Monitoring Preferences" on page 91.

Accessing Status Monitor 3 from the printer driver

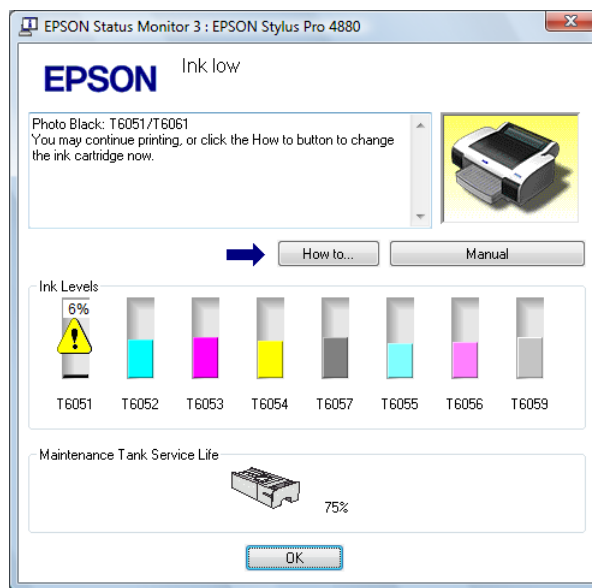
1. Open the printer driver.
2. Click the **Utility** tab.
3. Click **EPSON Status Monitor 3**.

Viewing information in Status Monitor 3

Status Monitor 3 provides the following information.

Current Status

Epson Status Monitor 3 displays detailed information about the printer, as well as its ink cartridges and maintenance tank. If the ink is low or expended, or the maintenance tank becomes full, the **How to** button appears in the Epson Status Monitor 3 window. Click **How to** to display instructions on how to replace the cartridge.



Increasing the Print Speed

General tips

Printing color images using higher print quality settings takes longer than printing black-and-white images using standard print quality settings. For this reason, it is important to be selective in your use of color and print quality settings if you also require faster print speeds.

Even if your images require the highest print quality and extensive use of color, it may still be possible to optimize the print speed by adjusting other printing settings.

Using Speed and Progress

You can select certain print speed settings in the Speed and Progress window. To access this window, click **Speed and Progress** on the Utility tab. For details, see "Selecting Speed and Progress settings" on page 92.

Sharing Your Printer

This section describes how to share your printer so that other computers on a network can use it.

Any computer on the network can share the printer if it is directly connected to it. The computer that is directly connected to the printer is the printer server, and the other computers are the clients which need permission to print to it. The clients share the printer via the printer server.


Note:

To connect your printer directly to a network without setting it up as a shared printer, consult your network administrator.

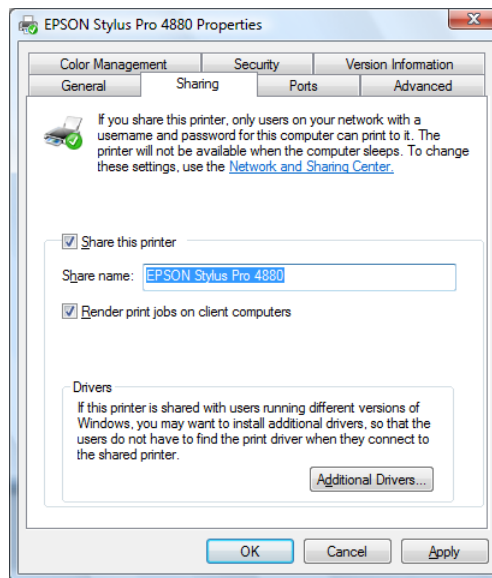
For Windows Vista

Setting up your printer as a shared printer

Follow the steps below to share a printer that is connected directly to your computer with others on a network.

1. Click , click **Control Panel**, and click **Printer** under **Hardware and Sound**.
2. Right-click your printer icon and click **Sharing**. Click **Change sharing options** and click **Continue**.

3. Select **Share this printer**, and type a name for the printer in the **Share name** text box.



4. Click **OK**.

Note:


Do not choose any drivers from the Additional Drivers list.

Accessing the shared printer

Follow the steps below to access the shared printer from another computer on a network.

Note:

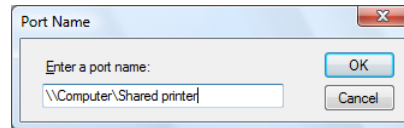
Your printer must be set up as a shared resource on the computer it is directly connected to before you can access it from another computer.

1. Install the printer driver on the client computer from the software CD-ROM.
2. Click , click **Control Panel**, and click **Printer** under **Hardware and Sound**. Then right-click your printer's icon and then select **Properties**.
3. Click the **Ports** tab and click **Add Port**.
4. Select **Local Port** and click **New Port**.

5. In the text box type the following information:

\\name of computer that is connected to the printer\name of the shared printer

Then click **OK**.



6. Close the Printer Ports window to return to the Ports tab.
7. On the Ports tab, make sure that the new port has been added and the checkbox is selected. Click **OK** to close the Properties window.

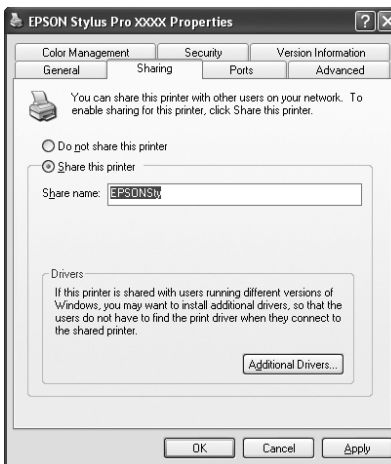
For Windows XP

Setting up your printer as a shared printer

Follow the steps below to share a printer that is connected directly to your computer with others on a network.

1. Click **Start** and then **Printers and Faxes**.
2. Right-click your printer icon and click **Sharing**. If the following menu appears, click **Network Setup Wizard** or **If you understand the security risks but want to share printers without running the wizard, click here**, and follow the on-screen instructions.

3. Select **Share this printer**, and type a name for the printer in the **Share name** text box.



4. Click **OK**.

Note:

Do not choose any drivers from the Additional Drivers list.

Accessing the shared printer

Follow the steps below to access the shared printer from another computer on a network.

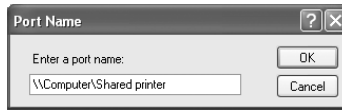
Note:

Your printer must be set up as a shared resource on the computer it is directly connected to before you can access it from another computer.

1. Install the printer driver on the client computer from the software CD-ROM.
2. Click **Start** and then **Printers and Faxes**. Right-click your printer's icon and then select **Properties**.
3. Click the **Ports** tab and click **Add Port**.
4. Select **Local Port** and click **New Port**.
5. In the text box type the following information:

\\name of computer that is connected to the printer\\name of the shared printer

Then click **OK**.



6. Close the Printer Ports window to return to the Ports tab.
7. On the Ports tab, make sure that the new port has been added and the checkbox is selected. Click **OK** to close the Properties window.

Updating and Uninstalling the Printer Software

This section describes how to update the printer software in Windows Vista or XP, and uninstall the printer driver from your computer.

Updating the driver in Windows Vista or XP

When you update the printer driver in Windows Vista or XP, you must uninstall the previous printer driver before you install the new driver. Installing over the existing printer driver results in a failure to update. To uninstall the printer driver, see "Uninstalling the printer driver" on page 103.


Note:

To uninstall programs in Windows Vista or XP, you need to log on as a user with a Computer Administrator account.

Uninstalling the printer driver

Follow the steps below to uninstall the printer driver. To reinstall your printer software, restart your computer. Then follow the instructions on your *Start Here* sheet to install the software.

Windows Vista

1. If you are using the USB interface, turn off your printer and disconnect the USB cable from your computer.
2. Click  and **Control Panel**, and click **Uninstall a Program** under **Programs**.

3. Select **EPSON Printer Software**.
4. Click the **Uninstall/Change** button, then click **Continue** in the User Account Control window.
5. Select the **EPSON Stylus Pro 4880** and click **OK**.
6. Follow the on-screen instructions to complete uninstallation.
7. When you return to the Uninstall or change a program window, select **EPSON LFP Remote Panel**.
8. Click the **Uninstall/Change** button, then click **Continue** in the User Account Control window.
9. Follow the on-screen instructions to complete uninstallation.
10. To reinstall your printer software, restart your computer. Then, if you're using the USB interface, follow the instructions on your *Start Here* sheet to install the software. If you're using the Ethernet interface, follow the instructions in Chapter 1 of the *Printer Guide*.

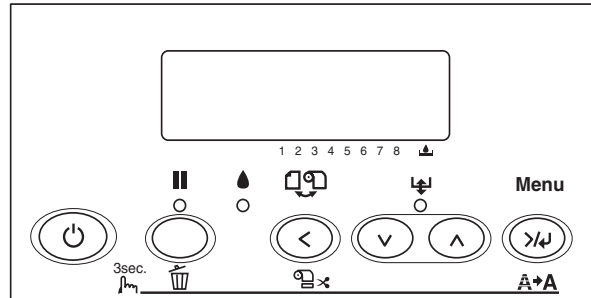
Windows XP

1. If you are using the USB interface, turn off your printer and disconnect the USB cable from your computer.
2. Click **Start** and **Control Panel**, and then double-click **Add or Remove Programs**.
3. Select **EPSON Printer Software**.
4. Click the **Change/Remove** button.
5. Select the **EPSON Stylus Pro 4880** and click **OK**.
6. Follow the on-screen instructions to complete uninstallation.
7. When you return to the Add or Remove Programs window, select **EPSON LFP Remote Panel**.
8. Click the **Change/Remove** button.

9. Follow the on-screen instructions to complete uninstallation.
10. To reinstall your printer software, restart your computer. Then, if you're using the USB interface, follow the instructions on your *Start Here* sheet to install the software. If you're using the Ethernet interface, follow the instructions in Chapter 1 of the *Printer Guide*.

Chapter 3

The Control Panel



Buttons, Lights, Messages, and Icons

Buttons

The following table describes the functions of the control panel buttons.

Button	Description
⏻ power button	Turns the printer on or off.
⏸ pause button	Stops printing temporarily. Restarts printing if pressed when the printer is paused. Clears a print job in the printer's memory if pressed and held for 3 seconds. Returns the printer to the READY state when the printer is in Menu mode.
</paper source button	Selects a paper source (🌀 Roll Auto Cut On / 📄 Roll Auto Cut Off / 📄 Sheet). Cuts the roll paper automatically after printing if pressed and held for 3 seconds when 🌀 Roll Auto Cut On is selected. Returns to the previous level menu when pressed in Menu mode.

Button	Description
<p>▼/paper feed button</p>	<p>Feeds paper in the forward direction.</p> <p>Ejects cut sheet paper when □ Sheet is selected as the paper source.</p> <p>Feeds the roll paper before cutting it when □ Roll Auto Cut On is selected as the paper source.</p> <p>Loads a sheet from the paper tray to the printing position automatically when □ Sheet is selected as the paper source.</p> <p>Changes settings when selecting settings in Menu mode.</p>
<p>▲ paper feed button</p>	<p>Feeds paper in the reverse direction as much as the paper has been fed by using the ▼ Paper Feed button. If you have fed the paper forward by hand, you cannot feed the paper in the reverse direction by using this button.</p> <p>Loads a sheet from the paper tray to the printing position automatically if □ Sheet is selected as the paper source.</p> <p>Changes a setting in reverse order when selecting settings in Menu mode.</p>
<p>➤/ Menu button</p>	<p>Enters Menu mode when pressed in the READY state.</p> <p>Enters the PRINTER STATUS menu if pressed during printing.</p> <p>Selects the current menu in menu mode.</p> <p>Sets the selected setting in Menu mode.</p> <p>Executes the item if the selected item is for execution only.</p> <p>Cleans the print head if pressed and held for 3 seconds.</p>

You can enter Maintenance mode by turning on the printer while holding down the ■ pause button. See "Maintenance Mode" on page 137 for more information.

Lights

The lights show the printer's status and indicate errors.

Light	Description
pause light solid green	The printer is in pause mode.
pause light flashing green	The printer is printing. The printer is cleaning the print head. The printer is drying ink on the printed paper.
pause light off	The printer is ready to print data.
◆ ink light solid red	The installed ink cartridge is expended. The installed ink cartridges cannot be used with this printer. The maintenance tank is full.
◆ ink light flashing red	The installed ink cartridge is low. The maintenance tank is almost full.
⚡ paper light solid red	No paper is loaded in the paper tray when □ Sheet is selected as the paper source. Roll paper is out when ㊄ Roll Auto Cut On or ㊄ Roll Auto Cut Off is selected as the paper source. The selected paper source (㊄ Roll Auto Cut On / ㊄ Roll Auto Cut Off / □ Sheet) does not match the paper source in the printer driver. The paper lever is in the released position. The loaded paper is too thick for head cleaning.
⚡ paper light flashing red	Paper is jammed. Paper is not cut correctly after the print job when ㊄ Roll Auto Cut On is selected as the paper source. Paper is not loaded straight. Paper is not detected. Cut sheet paper was not ejected correctly.

If all the lights are flashing, the printer needs service. Contact your dealer or Epson for assistance. See "Where To Get Help" on page 229.

Messages

The messages on the printer's LCD show the printer's current status or notify you of errors. The following table lists the status messages. For error messages, see "Error messages" on page 192.

Message	Description
READY	The printer is ready to print.
PRINTING	The printer is processing data.
PLEASE WAIT	Wait until READY appears.
PAUSE	The printer is paused.
PRESS PAUSE BUTTON	Press the Pause button.
CUTTING	The printer is cutting the printout.
CHARGING INK	The printer is charging the ink delivery system.
RESET	The printer is being reset.
F/W UPDATING	The printer is updating the firmware.
UPDATE COMPLETE	The printer has finished updating the firmware.
POWER OFF	The printer is being turned off.
CLEANING	The printer is cleaning the print head.

Menu Settings

When to use Menu mode

The Menu mode lets you select printer settings similar to those you would normally select in the driver or software, plus other settings, directly through the control panel.

Note:

- Some applications may send commands to the printer that override the Menu settings. If you are not getting the results you expect, check your application's settings.*
- To see the current Menu settings, print a status sheet. See "Printing a status sheet" on page 136.*

Basic Menu setting procedure

This section describes how to enter Menu mode and select settings with the buttons on the control panel.

Note:

- *Press the **||** pause button whenever you want to exit the printer menu and return to the READY state.*
- *Press **<** to return to the previous menu.*

1. Enter Menu mode

Make sure that READY appears on the printer's LCD, and then press the **>/↵** **Menu** button to enter the printer's menu system.

2. Select a menu

Press **^** or **v** to select a sub menu.

3. Enter the sub menu

Press **>/↵** to enter the selected sub menu. The first menu item appears on the printer's LCD.

4. Select a setting

Press **^** or **v** to select a setting.

5. Set the setting

Press **>/↵** to set the selected setting. The first item appears on the printer's LCD.

6. Select an option

Press **^** or **v** to select an option for the setting.

7. Set the option

Press **>/↵** to set the selected option. If the parameter is for execution only, press **>/↵** to execute the function for the setting.

After execution, the printer exits the printer menu and returns to the READY state.

8. Exit the Printer Menu

Press the **||** pause button. The printer returns to the READY state.

Menu list

Menu	Item	Parameters
"PRINTER SETUP" on page 117	"ROLL COUNTER or SHEET COUNTER" on page 117	—
	"PLATEN GAP" on page 118	NARROW, STANDARD, WIDE, WIDER, WIDEST
	"PAGE LINE" on page 118	ON, OFF
	"INTERFACE" on page 118	AUTO, USB, NETWORK
	"CODE PAGE" on page 119	PC437, PC850
	"PAPER MARGIN" on page 119	DEFAULT, T/B15 mm, T/B25 mm, 15 mm, 3 mm
	"PPR SIZE CHK" on page 120	ON, OFF
	"PPR ALIGN CHK" on page 120	ON, OFF
	"TIME OUT" on page 120	OFF, 30SEC, 60SEC, 180SEC, 300SEC
	"CUTTER ADJ" on page 121	EXEC
	"REFRESH MRGN" on page 121	ON, OFF
	"SHEET SIZE CK" on page 121	ON, OFF
	"AUTO NZL CK" on page 121	ON, OFF
	"AUTO CLEANING" on page 121	ON, OFF
	"QUIET CUT" on page 121	ON, OFF
"INIT SETTINGS" on page 122	EXEC	

Menu	Item	Parameters
"TEST PRINT" on page 122	"NOZZLE CHECK" on page 122	PRINT
	"STATUS CHECK" on page 122	PRINT
	"NETWORK" on page 122	PRINT
	"JOB INFO" on page 122	PRINT
	"CUSTOM PAPER" on page 122	PRINT

Menu	Item	Parameters
"PRINTER STATUS" on page 123	"VERSION" on page 123	Bxxxxx.yyyy.IBC
	"PRINTABLE PG" on page 123	MK (or PK) xxxxxxxxPG
		C xxxxxxxxPG
		VM xxxxxxxxPG
		Y xxxxxxxxPG
		LK xxxxxxxxPG
		LC xxxxxxxxPG
		VLM xxxxxxxxPG
		LLK xxxxxxxxPG
	"INK LEFT" on page 123	MK (or PK) E****F, E****F, E***F, E**F, E*F, nn%
		C E****F, E****F, E****F, E**F, E*F, nn%
		VM E****F, E****F, E****F, E**F, E*F, nn%
		Y E****F, E****F, E****F, E**F, E*F, nn%
		LK E****F, E****F, E****F, E**F, E*F, nn%
		LC E****F, E****F, E****F, E**F, E*F, nn%
		VLM E****F, E****F, E****F, E**F, E*F, nn%
		LLK E****F, E****F, E****F, E**F, E*F, nn%
	"MAINTANK" on page 124	E****F, E****F, E****F, E**F, E*F, nn%, 0%

Menu	Item	Parameters
"PRINTER STATUS" on page 123	"USAGE COUNT" on page 124	INK xxxxx.xml
		PPR xxxxx.xcm
	"USE COUNT CLR" on page 124	INK EXEC
		PAPER EXEC
	"JOB HISTORY" on page 124	No. 0-No. 9
	"TOTAL PRINTS" on page 124	nnnnnn
	"SERVICE LIFE" on page 125	CUTTER E*****F, E*****F, E***F, E**F, E*F, EF
		CR MOTOR E*****F, E*****F, E***F, E**F, E*F, EF
		PF MOTOR E*****F, E*****F, E***F, E**F, E*F, EF
		HEAD UNIT E*****F, E*****F, E***F, E**F, E*F, EF
		CLEANING UNIT E*****F, E*****F, E***F, E**F, E*F, EF
	"EDM STATUS" on page 125	NOT STARTED, ENABLED, DISABLED LAST UPLOADED MM/DD/YY HH:MM GMT, (NOT UPLOADED)

Menu	Item	Parameters
"CUSTOM PAPER" on page 125	"PAPER NUMBER" on page 125	STANDARD, 1-10
	"PLATEN GAP" on page 126	NARROW, STANDARD, WIDE, WIDER
	"THICKNESS PAT" on page 126	PRINT
	"THICKNESS NUM" on page 126	1-16
	"CUT METHOD" on page 126	STANDARD, THIN PAPER, THICK,FAST, THICK,SLOW
	"PPR FEED ADJ" on page 126	-0.70% - 0.70%
	"EJECT ROLLER" on page 127	AUTO, SHEET, ROLL CURLED, ROLL NORMAL
	"DRYING TIME" on page 127	0.0 SEC- 10.0 SEC
	"SUCTION" on page 127	STANDARD, -1, -2, -3, -4
	"M/W ADJ" on page 127	STANDARD, 1, 2
"MAINTENANCE" on page 128	"CUTTER REPL" on page 128	EXEC
	"BK INK CHANGE" on page 128	EXEC
	"PWR CLEANING" on page 128	Y, N
	"CLOCK SETTING" on page 128	YY/MM/DD HH:MM MM/DD/YY HH:MM
"HEAD ALIGNMENT" on page 128	"PAPER THKNS" on page 128	STD, 0.1 mm - 1.6 mm
	"ALIGNMENT" on page 128	AUTO, MANUAL

Menu	Item	Parameters
"NETWORK SETUP" on page 129	"NETWORK SETUP" on page 129	DISABLE, ENABLE
	"GET IPADDRESS" on page 129	AUTO, PANEL
	"IP" on page 129	IP ADDRESS 000.000.000.000 - 192.168.192.168 - 255.255.255.255
	"SM" on page 129	SUBNET MASK 000.000.000.000 - 255.255.255.000 - 255.255.255.255
	"GW" on page 129	DEFAULT GATEWAY 000.000.000.000 - 255.255.255.255
	"BONJOUR" on page 129	ON, OFF
	"INIT NETWORK" on page 129	EXEC
"CUTTER REPLACE" on page 130	EXEC	-

Details of Menu mode

PRINTER SETUP

This menu contains the following items.

ROLL COUNTER or SHEET COUNTER

You can get a message when there is not much paper left, by setting the roll alert or sheet alert.

When using roll paper, enter the length of roll paper set in the printer and the alert value.

When using cut sheet paper, enter the number of cut sheets set in the printer and the alert value.

Note:

This setting is available only when you select Roll Paper or Cut Sheet as the PAPER COUNTER setting in Maintenance mode.

PLATEN GAP

You can adjust the distance between the print head and paper. Normally, leave this set to STANDARD for standard paper. If you find that printed images are smeared, select WIDE or WIDER. Select NARROW for printing on thin paper, or WIDEST for printing on thick paper.

Note:

This setting will return to STANDARD after you turn the printer off and on.

PAGE LINE

You can select whether to print the page line (the line that shows where to cut) on roll paper. Select ON if you want to print the page line, or OFF otherwise.

When you have selected ON, the page line feature functions differently depending on the paper source setting, as described below.

Paper source setting	Printer's function
<input checked="" type="checkbox"/> Roll Auto Cut On	Prints a page line on the right side only, and cuts paper automatically after the print job.
<input type="checkbox"/> Roll Auto Cut Off	Prints page lines on the right side and below the data, but does not cut paper automatically after the print job.

Note:

When Sheet is selected as the paper source, this setting is not available.

INTERFACE

You can select an interface to receive your print data. When you select AUTO, the printer automatically switches between interfaces, depending on which one is receiving data first. When you select USB or NETWORK, only the selected interface receives your print data. If no more print job is received, the printer returns to an idle state after 10 seconds or more.

CODE PAGE

You can select a code page: PC437 (extended graphics) or PC850 (multilingual).

PAPER MARGIN

You can select margins for roll paper: DEFAULT, T/B 15 mm, T/B 25 mm, 15 mm, or 3 mm.

Paper Margin setting	Top	Bottom	Left/Right
DEFAULT	See the list below.		
T/B 15 mm	15 mm	15 mm	3 mm
T/B 25 mm	25 mm	25 mm	3 mm
15 mm	15 mm	15 mm	15 mm
3 mm	3 mm	3 mm	3 mm

The following table shows the default margins the paper types shown.

Roll paper type	Top/Bottom	Left/Right
Premium Luster Photo Paper (260) Premium Glossy Photo Paper (170) Premium Semigloss Photo Paper (170) Singleweight Matte Paper Proofing Paper White Semimatte Proofing Paper Publication Enhanced Matte Paper UltraSmooth Fine Art Paper Textured Fine Art Paper Plain Paper	15 mm	3 mm
Premium Glossy Photo Paper (250) Premium Semigloss Photo Paper (250)	20 mm	3 mm

Note:

- When you set the paper margin, the setting applies to all media. To change the paper margin, reselect the PAPER MARGIN setting.
- Try the T/B 25 mm setting if the top or bottom areas are smeared.

When you select a paper margin setting other than **DEFAULT**, the following number appears on the right side of the paper mark on the printer's control panel.

Paper Margin setting	Number
T/B 15 mm	1
T/B 25 mm	2
15 mm	1
3 mm	0

When you print the same data with a 3 mm margin and a 15 mm margin and compare the printouts, you may notice that part of the data on the right side of the 15 mm margin printout is missing.

PPR SIZE CHK

When you select **ON**, the printer stops printing if the width of paper loaded in the printer does not match the width of your print. When you select **OFF**, the printer continues to print even if the paper width does not match the width of your print, and the printer may print beyond the paper.

Note:

- When you load the paper using the manual feed slot, select **ON**.
- When you perform borderless printing, select **ON**.

PPR ALIGN CHK

When you select **ON**, if the paper is not straight, **PAPER NOT STRAIGHT** appears on the LCD and the printer stops printing. When you select **OFF**, a paper align error does not occur even if the printer prints beyond the paper, and the printer continues to print.

TIME OUT

The setting range is 30 to 300 seconds. If the cable of your printer is unplugged or your printer hangs up for more than the set time range, the print job is cancelled and the printer feeds the paper.

CUTTER ADJ

You can adjust the paper cutting position (for when you print with a top and bottom margin of zero). This function prints cutter adjustment patterns and you can select the appropriate cutting position from them.

REFRESH MRGN

When you select **ON**, the printer cuts an extra area of paper at the end of borderless prints.

SHEET SIZE CK

When you select **ON**, if the size of the cut sheet paper loaded in the printer does not match the size of data, the printer stops printing and **WRONG PAPER SIZE** appears on the printer's control panel. When **OFF** is selected, the printer continues to print even if the size of the cut sheet paper does not match the data, and the printer may print beyond the paper.

AUTO NZL CK

When you select **ON**, the printer performs a nozzle check before printing, for each print job.

Note:

- Do not select **ON** if you are using non-Epson media, or if the width of paper you are using is less than 210 mm.
- This setting is available only when you select **ON** as the **AUTO CLEANING** setting.

AUTO CLEANING

When you select **ON** and perform a nozzle check from the printer driver or the control panel, the printer not only checks for clogged nozzles, but also performs head cleaning automatically.

Note:

Do not select **ON** if you are using non-Epson media, or if the width of paper you are using is less than 210 mm.

QUIET CUT

When you select **ON**, the printer cuts the printout slowly to decrease the amount of paper particles.

INIT SETTINGS

You can return all of the printer's settings to their factory default values.

TEST PRINT

This menu contains the following items.

NOZZLE CHECK

You can print a nozzle check pattern to see if the nozzles are delivering ink properly. For details, see "Checking the print head nozzles" on page 130.

Note:

- ❑ *When you select **AUTO** and perform a nozzle check, the printer not only checks for clogged nozzles, but also performs head cleaning automatically.*
- ❑ *You can print a nozzle check pattern using the printer software. For Windows, see "Checking the print head nozzles" on page 88. For Mac OS X, see "Checking the print head nozzles" on page 39.*

STATUS CHECK

You can print a sheet showing the printer's current status. For details, see "Printing a status sheet" on page 136.

NETWORK

You can print network information about the printer.

JOB INFO

You can print job information saved in the printer (up to 10 jobs).

CUSTOM PAPER

You can print information that you have registered.

PRINTER STATUS

This menu contains the following items.

VERSION

You can view the firmware version.

PRINTABLE PG

You can view the number of pages printable for each ink cartridge.

INK LEFT

You can see the amount of ink left in each ink cartridge.

E ***** F (81-100%)

E **** F (61-80%)

E *** F (41-60%)

E ** F (21-40%)

E * F (11-20%)

nn% (less than 10%)

0% (ink end)

MAINT TANK

You can view the remaining capacity of the maintenance tank.

E ***** F	(81-100%)
E **** F	(61-80%)
E *** F	(41-60%)
E ** F	(21-40%)
E * F	(11-20%)
nn%	(less than 10%)
0%	(maintenance tank full)

USAGE COUNT

You can view ink consumption in milliliters and paper consumption in centimeters or feet/inches (depending on which units you've set in Maintenance mode).

Note:

Values shown in USAGE COUNT are rough indications.

USE COUNT CLR

You can clear the values set in USAGE COUNT.

JOB HISTORY

You can view ink consumption (INK) in milliliters, paper consumption (PAPER) in cm² or ft² (depending on which units you've set in Maintenance Mode), and the time required for a print job (PRINT TIME) in seconds for each print job saved in the printer. The latest job is saved as No. 0.

TOTAL PRINTS

You can see the total number of pages you have printed.

SERVICE LIFE

You can see the service life of each consumable.

CUTTER	You can see the cutter life. Note: Values displayed on the LCD are rough indications.
CR MOTOR	For maintenance service person only.
PF MOTOR	For maintenance service person only.
HEAD UNIT	For maintenance service person only.
CLEANING UNIT	For maintenance service person only.

EDM STATUS

For future enhancements.

CUSTOM PAPER

This menu contains the following items. To select paper settings, see "Selecting paper settings" on page 134.

PAPER NUMBER

When you select STANDARD, the printer determines the paper thickness automatically. You can also select No. X (X can be any number between 1 and 10) to register the following settings or to recall the settings you have selected.

- Platen gap
- Thickness pattern
- Thickness number
- Cut method
- Paper feed adjustment
- Eject roller type
- Drying time
- Suction
- MicroWeave adjustment

Note:

If you select STANDARD, the printer prints images according to the driver settings. If you select No. X, the control panel settings override the driver settings unless you select AUTO as your THICKNESS NUM setting.

PLATEN GAP

You can adjust the distance between the print head and paper. For most papers, leave this setting set to STANDARD. If you find that printed images are smeared, select WIDE. Select NARROW for printing on thin paper, or WIDER for printing on thick paper.

Note:

The Platen Gap setting will return to STANDARD after you turn the printer off and on.

THICKNESS PAT

You can print a paper thickness detection pattern. If STANDARD is selected as the PAPER NUMBER setting, the pattern is not printed.

THICKNESS NUM

If you are using Epson media, select AUTO. If you are not using Epson media, check the paper thickness detection pattern, and then enter the number for the print pattern with the smallest gap.

CUT METHOD

You can specify a cutting method: STANDARD, THIN PAPER, THICK, FAST, or THICK, SLOW.

PPR FEED ADJ

You can set the paper feed amount. The range is -0.70 to 0.70%.

EJECT ROLLER

You can select **AUTO**, **SHEET**, **ROLL CURLED**, or **ROLL NORMAL**.

AUTO	The printer selects the most appropriate setting automatically. When you use Epson media, usually select this setting.
SHEET	If you want to print on cut sheet paper that is not Epson media, select this setting.
ROLL CURLED	If you want to print on strongly curled roll paper that is not Epson media, select this setting. Note: Make sure that the ink is dry enough on the paper before the roller touches the media; otherwise, the ink will soil the roller surface, which stamps on the prints.
ROLL NORMAL	If you want to print on roll paper that is non-Epson media, select this setting. When roll paper is selected for the printer, this parameter is selected and no feed roller is used. If you select this parameter while using cut sheets, you need to eject the cut sheet paper one by one.

DRYING TIME

You can set the ink drying time between each print head pass. The range is from 0 to 10 seconds.

SUCTION

You can set the suction pressure used to feed the paper. Select **STANDARD**, **-1**, **-2**, **-3**, or **-4**.

M/W ADJ

You can adjust the MicroWeave mode. The settings are **STANDARD**, **1** and **2**. Increase the value to give priority to print speed, or decrease it to give priority to print quality.

MAINTENANCE

This menu contains the following items.

CUTTER REPL

You can replace the paper cutter blade. Follow the instructions on the LCD. See "Replacing the Paper Cutter Blade" on page 180.

BK INK CHANGE

You can change the black ink according to the type of paper you are printing on. You can choose either Matte Black or Photo Black. See "Changing the Black Ink Cartridge" on page 173.

PWR CLEANING

You can use this function to clean the print head more effectively than normal head cleaning.

CLOCK SETTING

You can set the year, month, date, hour, and minute.

HEAD ALIGNMENT

This menu contains the following items.

PAPER THKNS

You can adjust the thickness of the paper to use. If you use Epson media and its paper thickness is 0.2 mm or 1.2 mm, select **STD**. If you use non-Epson media, enter the paper thickness in the range of 0.1 to 1.6 mm.

ALIGNMENT

You can correct any head misalignment to obtain optimum printing results. For details, see "Aligning the print head" on page 131.

NETWORK SETUP

This menu contains the following items. For detailed information about network settings, see the *Network Guide*.

NETWORK SETUP

You can configure the network setting of the printer. The following items appear only when NETWORK SETUP is set to ENABLE.

GET IPADDRESS

You can select the method used to set the IP address of the printer. When AUTO is selected, the IP, SM, and GW settings are not displayed. Select PANEL to set these addresses using the printer's control panel.

Choose PANEL when setting the IP address, subnet mask, and default gateway using the printer's control panel.

Choose AUTO when getting the IP address from a DHCP server. The IP address is automatically obtained from the DHCP server whenever the printer is reset or turned on.

IP

You can set the IP address of the printer.

SM

You can set the Subnet Mask of the printer.

GW

You can set the Default Gateway of the printer.

BONJOUR

You can set the Bonjour settings of the printer.

INIT NETWORK

You can return the network settings of the printer to the factory default value.

CUTTER REPLACE

You can replace the paper cutter blade. Follow the instructions on the LCD. See "Replacing the Paper Cutter Blade" on page 180.

Checking the print head nozzles

To find out if nozzles are delivering ink properly, you can print a nozzle check pattern. If the nozzles are not delivering ink properly, missing dots will be evident in the print pattern. Follow the steps below to print a nozzle check pattern.

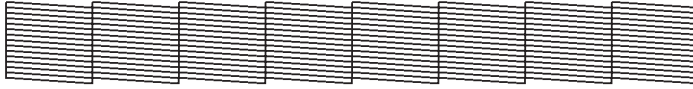
Note:

- ❑ *If you want to perform an auto nozzle check before printing for each print job, select ON as the AUTO CLEANING setting and then select ON as the AUTO NZL CK setting.*
 - ❑ *Before you start printing your data, make sure that nozzle check pattern printing is complete; otherwise, the print quality may decline.*
1. Make sure that paper is loaded in the printer and the printer is in the READY state.
 2. Press **>/J Menu** to enter the printer's menu system.
 3. Press **v** to highlight TEST PRINT, then press **>/J Menu**. You see NOZZLE CHECK.
 4. Press **>/J Menu** to display PRINT.
 5. Press **>/J Menu** again to start printing a nozzle check pattern.

After the nozzle check pattern is printed, the printer returns to the READY state.

Nozzle check pattern examples:

good



head cleaning necessary



If you find that any dots are missing or deflected from the test lines in the pattern, you need to clean the print head. Press the **Menu** button for more than 3 seconds or access the Head Cleaning utility software. For Windows, see "Cleaning the print head" on page 89. For Mac OS X, see "Cleaning the print head" on page 40.

Aligning the print head

To prevent deterioration of print quality caused by misalignment of the print head, align the print head before you start printing your data. You can align the print head either manually or automatically. Try the automatic print head alignment first. If the print head is still misaligned, try to perform the print head alignment manually.

Aligning the print head automatically

1. Make sure that paper is loaded in the printer.

Note:

For best results, use Epson Ultra Premium Photo Paper Luster if you are printing with Photo Black ink. If you are printing with Matte Black ink, use Enhanced matte paper.

2. Press **Menu** to enter the printer's menu system.
3. Press **^** to highlight HEAD ALIGNMENT, then press **Menu**. You see PAPER THKNS.

4. Press **>/⏏ Menu**, then press **^** or **v** to select **STD** or a paper thickness value between 0.1 mm and 1.6 mm. When the paper thickness value is 0.2 mm or 1.2 mm, select **STD**. Otherwise, select the actual paper thickness value.
5. Press **>/⏏ Menu** to register your value.
6. Press **<**, then press **v**. You see **ALIGNMENT**.
7. Press **>/⏏ Menu** to display **AUTO**, then press **>/⏏ Menu** again. You see **UNI-D** (uni-directional). This is the type of alignment to start with.
8. Press **>/⏏ Menu** again to start the alignment process.

It takes about 12 minutes to run the automatic uni-directional head alignment. The printer's white beam sensor reads the alignment pattern and adjusts the printer automatically. Make sure you don't open the top cover or turn off the printer during this process.

9. When the uni-directional alignment is finished, press **^** until you see **BI-D 2-COLOR**. Then press **>/⏏ Menu** again to start the bi-directional black alignment process, which is also completely automatic and takes about 7 minutes.
10. When the bi-directional black alignment is finished, press **^** until you see **BI-D ALL**. Then press **>/⏏ Menu** again to start the alignment process. Again, this process is completely automatic and takes about 17 minutes.
11. When done, press the **|||** pause button to exit the head alignment mode.

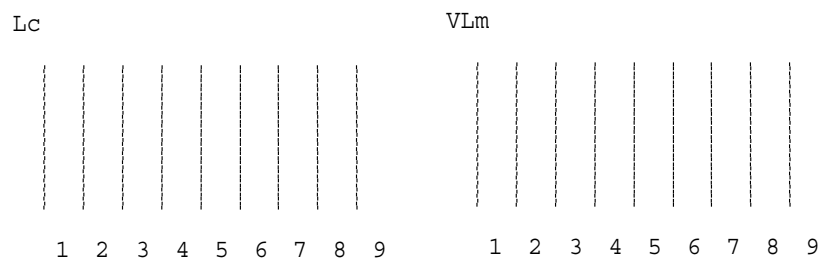
Aligning the print head manually

If you are not satisfied with the results of automatic print head alignment, you can perform the head alignment manually. Follow the steps below:

1. Press **>/⏏ Menu** to enter the printer's menu system.
2. Press **^** or **v** to select **HEAD ALIGNMENT**, then press **>/⏏ Menu**. You see **PAPER TCKNS**.
3. Press **>/⏏ Menu**, then press **^** or **v** to select **STD** or a paper thickness value between 0.1 mm and 1.6 mm. When the paper thickness value is 0.2 mm or 1.2 mm, select **STD**. Otherwise, select the actual paper thickness value.

4. Press **>/⏏ Menu** to register your setting.
5. Press **<**, then press **∨**. You see ALIGNMENT in the lower row of the LCD.
6. Press **>/⏏ Menu**, then press **∧** or **∨** to select MANUAL.
7. Press **>/⏏ Menu**, then press **∧** or **∨** to select BI-D 2-COLOR.
8. Press **>/⏏ Menu** to print the head alignment pattern.

Head alignment pattern examples:



9. After printing is finished, the pattern number and the current line number are displayed on the printer's LCD. Examine the lines in the pattern and select the line with the smallest gaps, then press **∧** or **∨** to display the number for that line.
10. Press **>/⏏ Menu** to store the selected number. The next pattern number appears. Repeat step 9 for each pattern on the printout.

If you are not satisfied with the results of BI-D 2-COLOR alignment, press **∧** or **∨** to select BI-D ALL, then press **>/⏏ Menu** to print the head alignment pattern.

If you are not satisfied with the results of BI-D ALL alignment, press **∧** or **∨** to select UNI-D, then press **>/⏏ Menu** to print the head alignment pattern.

When you are finished with the alignments, press the **|||** pause button. The printer returns to the READY state.

Selecting paper settings

You can register and recall your own paper settings for any media.

The paper settings you can make are:

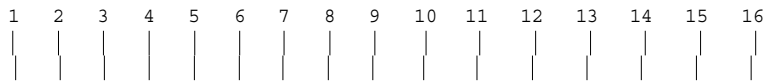
- Platen gap
- Thickness pattern
- Thickness number
- Cut method
- Paper feed adjustment
- Eject roller type
- Drying time
- Suction
- MicroWeave adjustment

Registering the settings

Follow the steps below to register paper settings for a particular type of media.

1. Load the paper that you want to register.
2. Press **>/⏏ Menu** to enter the printer's menu system, press **^** or **v** to highlight **CUSTOM PAPER**, then press **>/⏏ Menu** again. You see **PAPER NUMBER**.
3. Press **>/⏏ Menu**, then press **^** or **v** to select a paper configuration number (No. 1 to No. 10).
4. Press **>/⏏ Menu** to save your paper number selection.
5. Press **<**, then press **v**. You see **PLATEN GAP** in the lower row of the LCD.
6. Press **>/⏏ Menu**, press **^** or **v** to select **NARROW**, **STANDARD**, **WIDE**, or **WIDER**, then press **>/⏏ Menu** again to save the selected platen gap setting.
7. Press **<**, then press **v**. You see **THICKNESS PAT** in the lower row of the LCD.
8. Press **>/⏏ Menu** twice to print the paper thickness test printing pattern.

Paper thickness test pattern example:



9. Examine the printed pattern to determine which set of lines are most closely aligned (showing the smallest gap), and note the corresponding number.
10. After the pattern is printed, THICKNESS NUM appears. Press \wedge or \vee to select the number noted in step 9, then press $\blacktriangleright/\blacktriangleleft$ **Menu** to save the selected value.
11. Press \blacktriangleleft , then press \vee . You see CUT METHOD in the lower row of the LCD.
12. Press $\blacktriangleright/\blacktriangleleft$ **Menu**, press \wedge or \vee to select STANDARD, THICK, SLOW, THICK, FAST, or THIN PAPER, then press $\blacktriangleright/\blacktriangleleft$ **Menu** again to save the selected value.
13. Press \blacktriangleleft , then press \vee . You see PPR FEED ADJ in the lower row of the LCD.
14. Press $\blacktriangleright/\blacktriangleleft$ **Menu**, press \wedge or \vee to set the paper feed amount, then press $\blacktriangleright/\blacktriangleleft$ **Menu** again to save the selected value.
15. Press \blacktriangleleft , then press \vee . You see EJECT ROLLER in the lower row of the LCD.
16. Press $\blacktriangleright/\blacktriangleleft$ **Menu**, press \wedge or \vee to select AUTO, SHEET, ROLL CURLED, or ROLL NORMAL, then press $\blacktriangleright/\blacktriangleleft$ **Menu** again to save the selected value.
17. Press \blacktriangleleft , then press \vee . You see DRYING TIME in the lower row of the LCD.
18. Press $\blacktriangleright/\blacktriangleleft$ **Menu**, press \wedge or \vee to select the time in seconds, then press $\blacktriangleright/\blacktriangleleft$ **Menu** again to save the selected value.
19. Press \blacktriangleleft , then press \vee . You see SUCTION in the lower row of the LCD.
20. Press $\blacktriangleright/\blacktriangleleft$ **Menu**, press \wedge or \vee to select STANDARD, -1, -2, -3, or -4, then press $\blacktriangleright/\blacktriangleleft$ **Menu** again to save the selected value.

21. Press **<**, then press **∨**. You see **M/W ADJ** in the lower row of the LCD.
22. Press **>/↵ Menu**, press **∧** or **∨** to adjust MicroWeave. Increase the value to give priority to the print speed, or decrease it to give priority to the print quality. Press **>/↵ Menu** again to save the selected value.

Selecting the registered settings

Follow the steps below to select the registered settings.

1. Press **>/↵ Menu** to enter the printer's menu system, press **∧** or **∨** to highlight **CUSTOM PAPER**, then press **>/↵ Menu** again. You see **PAPER NUMBER**.
2. Press **∧** or **∨** to select the paper number you want to use, then press **>/↵ Menu** to save the selected paper.

If you select **STANDARD**, the printer prints your images according to the paper setting you choose in the printer driver.

If you select **No. X**, the control panel settings override the paper settings in the printer driver.

3. Press **||** pause to exit the printer menu.

Printing a status sheet

While in Menu mode, you can print a status sheet to see the printer's current settings and life counter information. Follow the steps below to print a status sheet.

1. Make sure that paper is loaded in the printer and that the printer is in the **READY** state.
2. Press **>/↵ Menu** to enter the printer's menu system.
3. Press **∧** or **∨** to highlight **TEST PRINT**, then press **>/↵ Menu**.
4. Press **∧** or **∨** to highlight **STATUS CHECK**, then press **>/↵ Menu** twice to print a status sheet.

After printing is finished, the printer exits the printer menu and returns to the **READY** state.

Setting the alert value for paper

You can configure the printer to alert you when paper is low. Follow the steps below.

Note:

This setting is available only when you select ROLL or SHEET as your PAPER COUNTER setting in Maintenance mode.

1. Press **>/⏏ Menu** to enter the printer's menu system.
2. Press **^** or **v** to highlight **PRINTER SETUP**, then press **>/⏏ Menu**.
3. Press **^** or **v** to highlight **ROLL COUNTER** or **SHEET COUNTER** (depending on which setting you selected in Maintenance mode), then press **>/⏏ Menu**.
4. Press **^** or **v** to select the length of the roll paper (between 15 and 300 ft or 5 and 99.5 m) or the number of cut sheets (between 10 and 250) loaded in the printer, then press **>/⏏ Menu**.
5. The screen changes so that you can select the alert value. Press **^** or **v** to select the alert value. For roll paper, select a value between 3 and 50 ft or 1 and 15 m. For cut sheet paper, select a value between 5 and 50.
6. Press **>/⏏ Menu** to set the alert value, then press **|||** pause to return to the **READY** state.

Maintenance Mode

Maintenance mode setting procedure

This section describes how to enter Maintenance mode and how to select settings with the buttons on the control panel.

Note:

*Press **<** to return to the previous step.*

1. **Enter Maintenance mode**
Make sure the printer is turned off. Then press and hold the **||** pause button, and then press the **⏻** power button to turn on the printer.
 2. **Select a menu item**
Press **^** or **v** to select a menu item.
 3. **Enter the menu item**
Press **>/↵ Menu** to enter the selected menu item. The first parameter is displayed on the printer's LCD.
 4. **Select an option**
Press **^** or **v** to select an option for the menu item.
 5. **Set the option**
Press **>/↵ Menu** to store the selected option.
If the option is for execution only, press **>/↵ Menu** to execute the function for the item.
- Note:**
If a second option is displayed on the printer's LCD, repeat steps 4 and 5 to select and set the second option.
6. **Exit Maintenance mode**
Press the **⏻** power button to turn off the printer, and then turn it on again.

Maintenance mode list

Item	First parameter	Second Parameter
"HEX DUMP" on page 139	PRINT	EXEC
"LANGUAGE" on page 140	ENGLISH, FRENCH, ITALIAN, GERMAN, SPANISH, PORTUGUESE, DUTCH	-
"PAPER COUNTER" on page 140	OFF, ROLL PAPER, CUT SHEET	-
"UNIT" on page 140	METER, FEET/INCHES	-
"CUT PRESSURE" on page 140	0%-150%	-
"SSCL" on page 141	EXEC	-

Item	First parameter	Second Parameter
"ROLL PPR FEED" on page 141	ON, OFF	-
"DEFAULT PANEL" on page 141	EXEC	-
"CRTG INFO MENU" on page 141	PK CARTRIDGE (for Photo Black) MK CARTRIDGE (for Matte Black) C CARTRIDGE VM CARTRIDGE Y CARTRIDGE LK CARTRIDGE LC CARTRIDGE VLM CARTRIDGE LLK CARTRIDGE	MANUFACT, CARTRIDG, INK TYPE, INK CAP, INK LEFT, PROD DATE, EXPIRE DATE, INK LIFE, AGE
"CUSTOM" on page 141	0-9	-

Details of Maintenance mode items

HEX DUMP

Data received from the host computer can be printed out in hexadecimal numbers. Follow the steps below to print the hex dump:

1. Make sure that paper is loaded in the printer.
2. In Maintenance mode, press \wedge or \vee to highlight `HEX DUMP`.
3. Press $\>/\downarrow$ **Menu** to display `PRINT`. Then press $\>/\downarrow$ **Menu** again to start printing.

The print data in the print buffer is printed with 16-byte hex. data in the left column, and corresponding ASCII characters in the right column.

Note:

If the final data is less than 16 bytes, it does not print until you press $\|\|$ pause.

LANGUAGE

You can select the language to be displayed on the printer's LCD.

1. In Maintenance mode, press \wedge or \vee to highlight LANGUAGE, then press **>/ \leftarrow Menu**.
2. Press \wedge or \vee to select a language.
3. Press **>/ \leftarrow Menu** to set the language. Confirm that READY (or a similar message in the language selected) appears on the printer's LCD.

Note:

It may take a while for READY (or a similar message in another language) to appear on the printer's LCD.

PAPER COUNTER

You can activate the paper remaining counter function. When this function is on, ROLL COUNTER or SHEET COUNTER appears on the PRINTER SETUP menu.

1. In Maintenance mode, press \wedge or \vee to display PAPER COUNTER, then press **>/ \leftarrow Menu**.
2. Press \wedge or \vee to select the paper counter function you would like.
3. Press **>/ \leftarrow Menu** to set the value.

UNIT

You can select a unit of measurement to use to display length. Follow the steps below to select a unit.

1. In Maintenance mode, press \wedge or \vee to select UNIT, then press **>/ \leftarrow Menu**.
2. Press \wedge or \vee to select a unit of measure.
3. Press **>/ \leftarrow Menu** to set the value.

CUT PRESSURE

You can select cutting pressure.

SSCL

You can perform super strong head cleaning.

ROLL PPR FEED

You can enable or disable roll paper feeding at power on.

DEFAULT PANEL

You can restore all the printer menu settings to their default values.

CRTG INFO MENU

For maintenance service person only.

CUSTOM

For maintenance service person only.

Notes on Epson Media and Other Media

Although most types of coated paper provide good printing results, the print quality varies depending on the paper quality and the manufacturer. Test the print quality before purchasing a large amount of paper.



Caution

Do not touch the printable surface of the media, as fingerprints may reduce the print quality. Whenever possible, use gloves to handle media.

Using Epson media

When using Epson media, make sure the correct settings are selected in the printer driver. See "Selecting Settings on the Main Tab" on page 49 for Windows, or "Page Setup" on page 19 for Mac OS X. For information on Epson media, see "Epson media" on page 243.

Note:

- Use Epson media in a normal room environment (temperature and humidity) for best results.
- When using Epson media, read the enclosed instruction sheets first.

Storing Epson media

To maintain the quality of your Epson media:

- Store unused media in the original plastic bag and outer package to prevent moisture problems.
- Avoid storing the media in places exposed to high temperature, humidity, or direct sunlight.
- Store unused media on a flat surface to prevent bending or curling.

Using paper other than Epson media

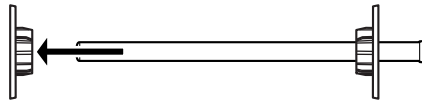
When you use paper other than Epson media, or print using a RIP (Raster Images Processor), see the instructions included with the paper or RIP system, or contact your supplier for more information.

Using Roll Paper

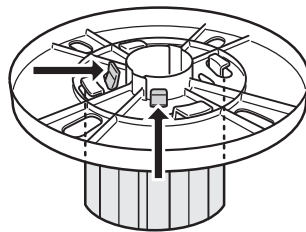
Attaching the roll paper to the spindle

When installing the roll paper onto the spindle, follow the steps below.

1. Slide the black paper stop off the end of the spindle.



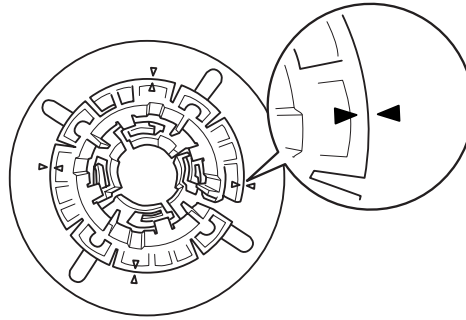
2. When you attach roll paper with a 2-inch core, remove the gray spindle adapters.



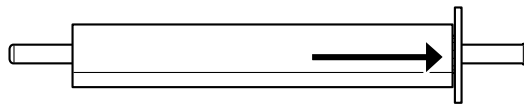
Note:

Keep the spindle adapters in a safe place for future use.

When you attach roll paper with a 3-inch core, slide the gray attachments to the black and white ones, matching the four arrows.



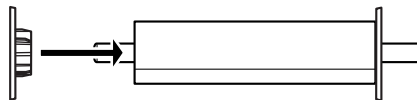
3. Place the roll paper on a flat surface so that it does not unwind. Slide the roll paper onto the spindle until it fixes into place.



Note:

Do not stand the spindle when attaching the roll paper. It may cause slanted paper feeding.

4. Slide the black paper stop (removed in step 1) onto the spindle and into the end of the roll paper until it fixes into place.



Removing the roll paper from the spindle

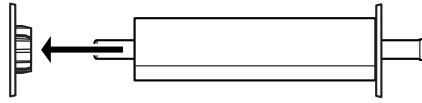
To remove the roll paper from the spindle, follow the steps below.

1. Place the paper loaded spindle down on a flat surface.
2. Slide the black paper stop off the end of the spindle by tapping the same end of the spindle with your hand to loosen it.

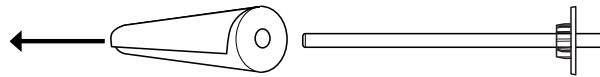


Caution

Do not hold the spindle vertically and tap the end on the floor to remove the black paper stop from the spindle; otherwise, damage may occur.



3. Remove the roll paper from the spindle.



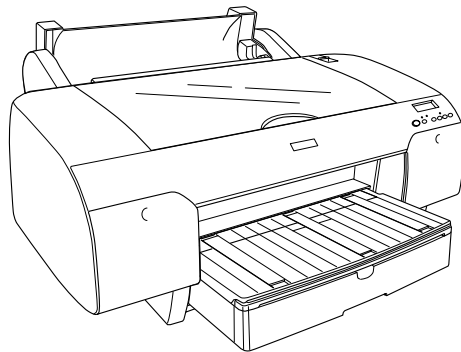
Note:

Store unused roll paper in its original package. Put the roll paper into the plastic bag and outer package so as to avoid moisture problems.

Loading roll paper

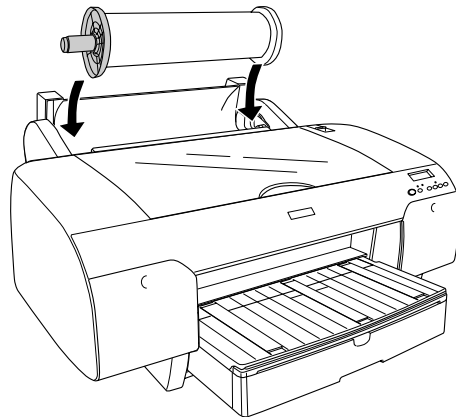
To load roll paper, follow the steps below.



1. Open the roll paper cover.

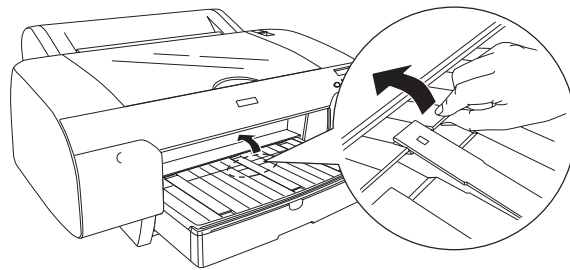


2. Make sure the black paper stop is fixed into the end of the roll paper properly.

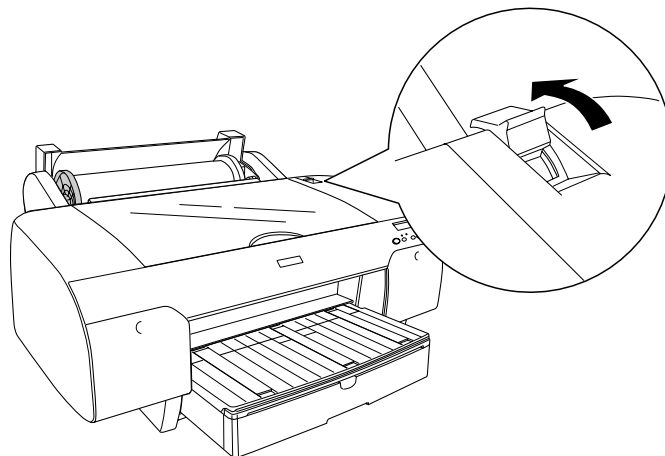
3. Hold the roll paper spindle so that the black paper stop is on the left side, then load the roll paper in the printer as shown.



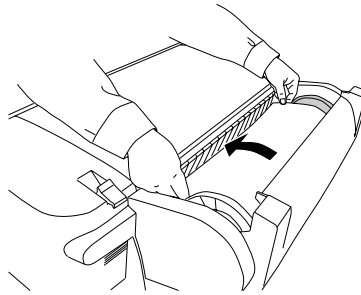
4. Press the < paper source button to select  roll auto cut on or  roll auto cut off.
5. Raise the roll paper support.



6. Move the paper lever to the released position.



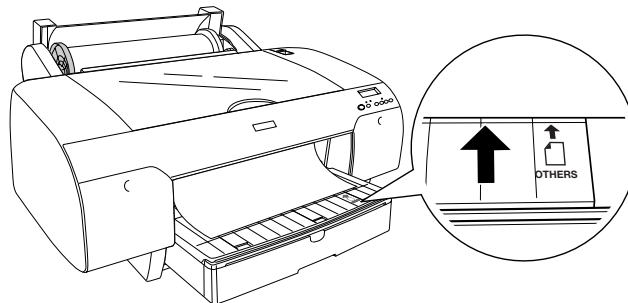
7. Hold both sides of the paper, and then load the paper in the paper insertion slot.



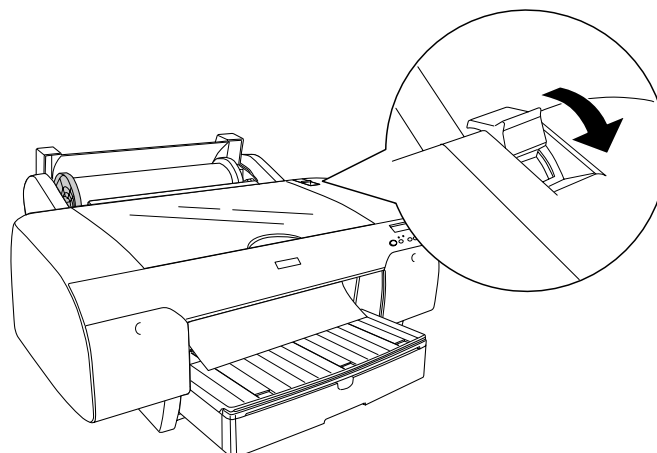
Note:

If you load thin paper, press the ∇ paper feed button to decrease the paper suction value. If you load thick and curled paper, press the \blacktriangle paper feed button to increase the paper suction value.

8. Feed the paper all the way through the printer until it is aligned with the OTHERS mark on the paper tray cover. Align the right edge of the paper with the vertical mark of the right side of the paper tray cover.



9. Move the paper lever to the secured position. The printer automatically feeds the paper to the printing position.

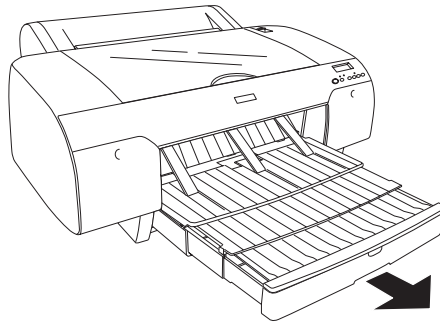


Note:

*If you press the **||** pause button, the printer starts to feed the paper to the printing position immediately.*

10. Close the roll paper cover.

11. Extend the paper tray and paper tray cover according to the paper size.



Now the printer is ready to print. While the printer is printing, do not open the top cover. If the top cover is opened while printing is in progress, the printer stops printing, and then restarts printing when the top cover is closed. Stopping and restarting printing may reduce the print quality.



Caution:

Do not leave paper in the printer for a long period of time; its quality will deteriorate. Epson recommends that you remove the paper from the printer after printing.

Cutting the roll paper or printing page lines


When your print job is finished, the printer cuts the roll paper automatically or prints page lines around the printed data according to your settings. You can make these settings using the control panel or printer software.

Note:

- Printer driver settings usually override the control panel settings. Use your printer driver settings whenever possible.*
- When the printer cuts the printout, it may take a little time to proceed with cutting after printing is finished.*

Cutting the roll paper automatically




To cut the roll paper automatically after printing, follow the steps below.

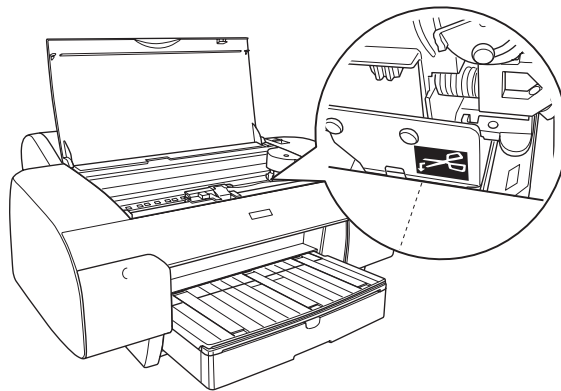
1. Before printing, press the < paper source button to select  roll auto cut on.
2. Print your data.


To activate the auto cut setting using the Windows printer driver, see "Selecting the Roll Paper Option settings" on page 68. To activate the auto cut setting using the Mac OS X printer driver, see "Roll Paper Option" on page 29.

Cutting the roll paper with the cut button

To cut the roll paper with the cut button after printing, follow the steps below.

1. Before printing, press the < paper source button to select  roll auto cut off.
2. Print your data.
3. Press the  paper feed or  paper feed button to match the cutting position on the paper with the cutting position on the left side of the print head.



4. Press the < paper source button to select  roll auto cut on.
5. Press and hold the < paper source button for 3 seconds. The printer cuts the printout at the cutting position.

Printing page lines

If you want to print continuously on roll paper and then cut the pages yourself after you finish printing, use the Print Page Line setting.

To activate the Print Page Line setting using the control panel, see "PAGE LINE" on page 118.

To activate the Print Page Line setting using the Windows printer driver, see "Selecting the Roll Paper Option settings" on page 68. To activate the Print Page Line setting using the Mac OS X printer driver, see "Roll Paper Option" on page 29.

Using Cut Sheet Media

Checking the paper path

Some media types cannot be loaded in the paper tray, and require you to load them into a manual feed slot. Always check the media type and its paper path before loading it in the printer.

Paper path list

Paper Path	Media Name
Paper tray	Premium Photo Paper Semi-gloss Premium Semigloss Photo Paper
	Ultra Premium Photo Paper Luster Premium Luster Photo Paper
	Singleweight Matte Paper
	Presentation Paper Matte Photo Quality Ink Jet Paper
	Proofing Paper White Semimatte
	Ultra Premium Presentation Paper Matte Enhanced Matte Paper
	Watercolor Paper - Radiant White
	Plain paper
	Proofing Paper Commercial Semimatte
	Non-Epson media with paper thickness 0.08 to 0.79 mm
	Non-Epson media with paper thickness 0.8 to 1.5 mm
Front Manual Feed Slot	Non-Epson media with paper thickness 0.8 to 1.5 mm

Paper Path	Media Name
Rear Manual Feed Slot	Premium Photo Paper Glossy Premium Glossy Photo Paper
	Premium Photo Paper Semi-gloss Premium Semigloss Photo Paper
	Ultra Premium Photo Paper Luster Premium Luster Photo Paper
	Singleweight Matte Paper
	Presentation Paper Matte Photo Quality Ink Jet Paper
	Proofing Paper White Semimatte
	Ultra Premium Presentation Paper Matte Enhanced Matte Paper
	Watercolor Paper - Radiant White
	UltraSmooth Fine Art Paper
	Velvet Fine Art Paper
	Plain paper
	Proofing Paper Commercial Semimatte
	Non-Epson media with paper thickness 0.08 to 0.79 mm

Loading cut sheet media

You can load cut sheet media into the paper tray, front manual feed slot, or rear manual feed slot.

The front manual feed slot and rear manual feed slot can hold only one sheet at a time.

The paper tray can hold up to 250 sheets of 17 lb or 64 g/m² plain paper. Do not load paper above the arrow mark on the inside surface of the left edge guide.

Epson media	Size	Maximum number of sheets in the Auto Sheet Feeder
Premium Photo Paper Semi-gloss Premium Semigloss Photo Paper	Letter	100
	Super A3/B	50
Ultra Premium Photo Paper Luster Premium Luster Photo Paper	Letter	100
	A3	50
	Super A3/B	
Singleweight Matte Paper	Super A3/B	100
	US C	50
Presentation Paper Matte Photo Quality Ink Jet Paper	Letter	200
	11" × 17"	100
	Super A3/B	
	US C	50
Proofing Paper White Semimatte	Super A3/B	1*
Ultra Premium Presentation Paper Matte Enhanced Matte Paper	Letter	100
	A3	50
	Super A3/B	
	US C	
Watercolor Paper - Radiant White	Super A3/B	20
Proofing Paper Commercial Semimatte	Super A3/B	50

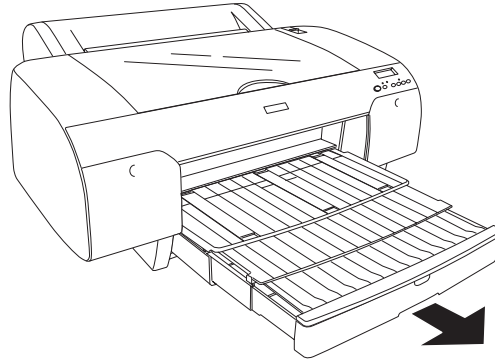
* You can load 50 sheets if the temperature is from 59 to 73.4°F (15 to 23°C) and the humidity is from 40 to 60%.

Loading A3 or larger paper in the paper tray

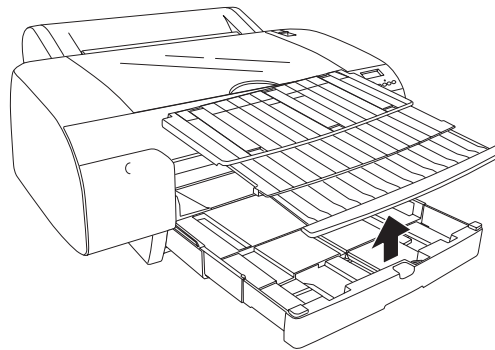
Follow the steps below to load A3 or larger paper in the paper tray.

1. Make sure the printer is turned on and is in the **READY** state.
2. Press the < paper source button to select sheet.

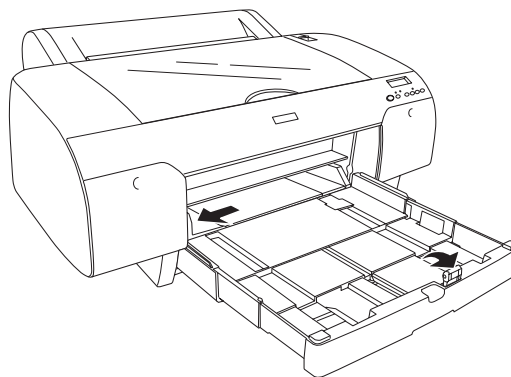
3. Extend the paper tray and paper tray cover.



4. Lift up the paper tray cover.

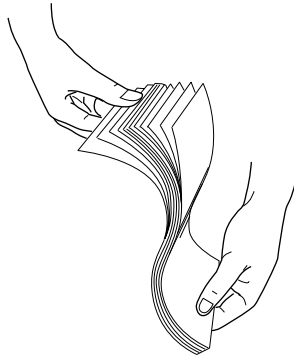


5. Flip up the paper guide roller, and then slide the edge guide to the left so that it is slightly wider than the width of your paper.



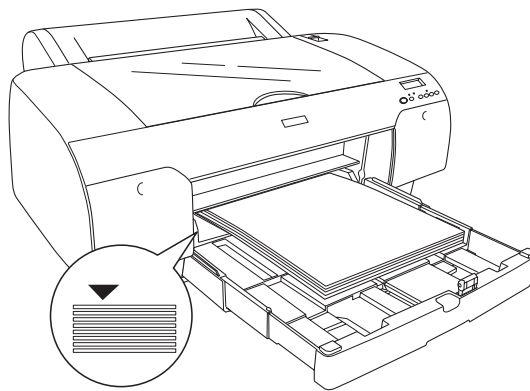
6. Clean the inside of the paper tray to remove any dust. Dust may affect the print quality.

7. Fan a stack of paper, and then tap it on a flat surface to make the edges even.



If the paper is curled, flatten it before you load it. If it curls excessively and jams frequently, stop using it.

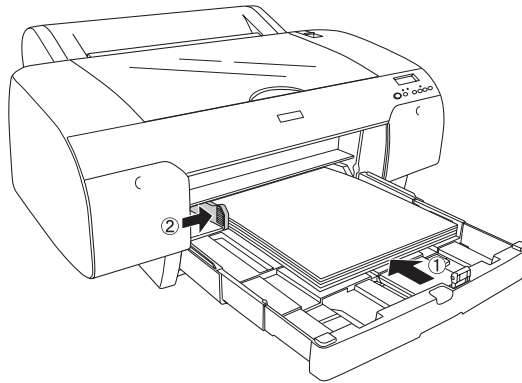
8. Load the sheets with the printable face-down and the right edge of the paper resting against the right side of the paper tray. Make sure the sheets lie flat on the bottom of the tray. Don't load paper above the arrow mark inside the edge guide.



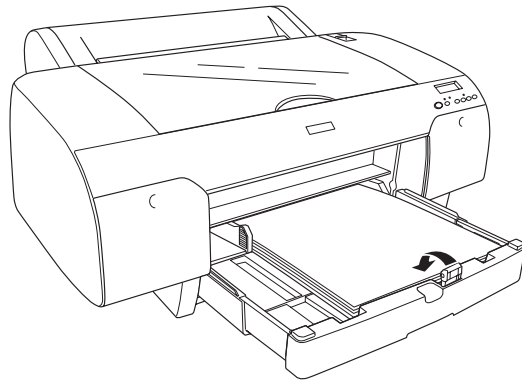
Note:

- Always load the paper's short edge first.*
- When you load sheets of paper, make sure to put the edges of the paper against the right inner corner of the paper tray; otherwise, printing may become misaligned.*
- When you add more sheets of paper to the paper tray, always line up the edges of the added paper to those of the paper already loaded.*

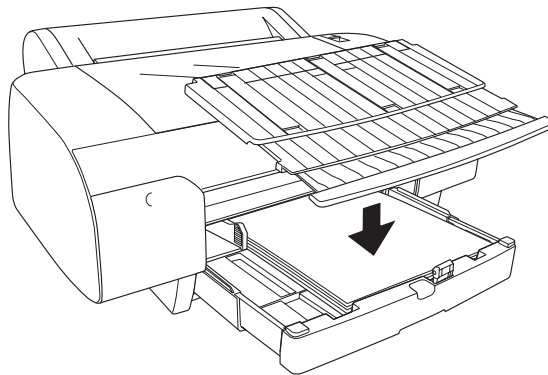
9. Adjust the edge guide and the length of the paper tray according to the paper size.



10. Flip the paper guide roller down onto the stack of paper.



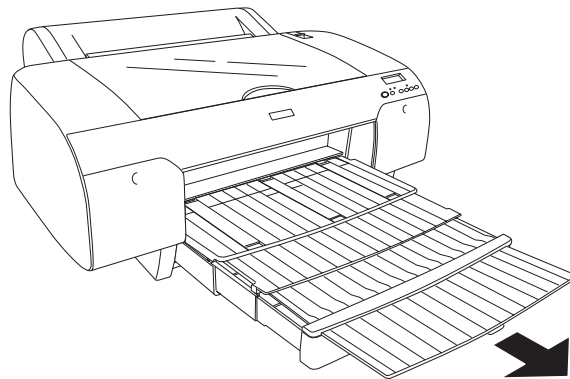
11. Adjust the length of paper tray cover, and then attach it to the paper tray.



Note:

Make sure the roll paper support on the paper tray cover is not raised.

12. If you have extended the paper tray and cover fully, pull the paper tray cover extension to support large-size printouts.



Note:

Before printing on cut sheet media, make sure paper in the paper tray is not curled. If it is curled, uncurl it; otherwise, a paper jam may occur.

Now, the printer is ready to print. While the printer is printing, do not open the top cover. If the top cover is opened while printing is in progress, the printer stops printing, and then restarts printing when the top cover is closed. Stopping and restarting printing may reduce the print quality.



Caution:

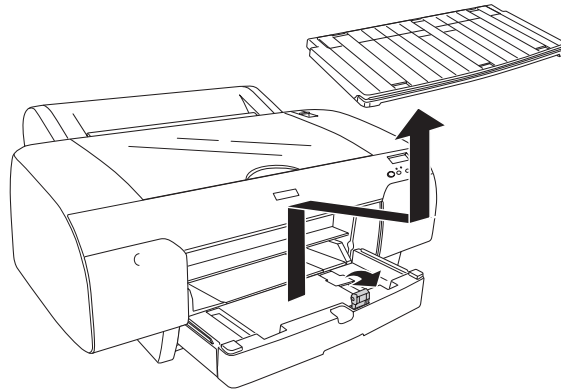
Do not leave paper in the printer for a long period of time; its quality will deteriorate. Epson recommends that you remove the paper from the printer after printing.

Loading paper smaller than A3 in the paper tray

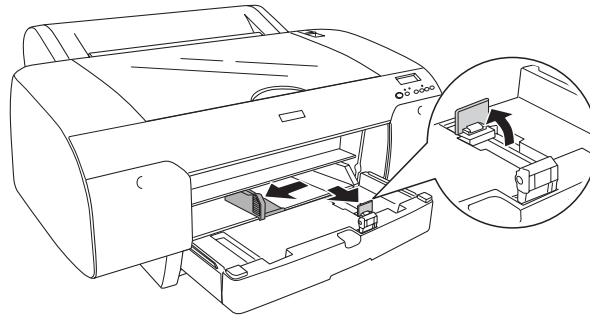
Follow the steps below to load paper smaller than A3 in the paper tray.

1. Make sure the printer is turned on and is in the **READY** state.
2. Press the < paper source button to select sheet.

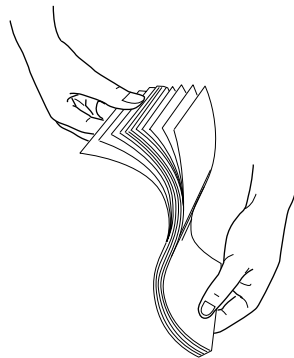
3. Lift up the paper tray cover, and then flip up the paper guide roller.



4. Lift up the paper guide, and then slide the edge guide to the left so that it is slightly wider than the width of your paper.

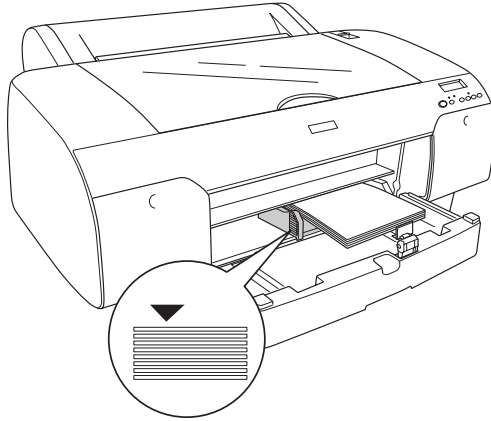


5. Clean the inside of the paper tray to remove any dust. Dust may affect the print quality.
6. Fan a stack of paper, and then tap it on a flat surface to make the edges even.



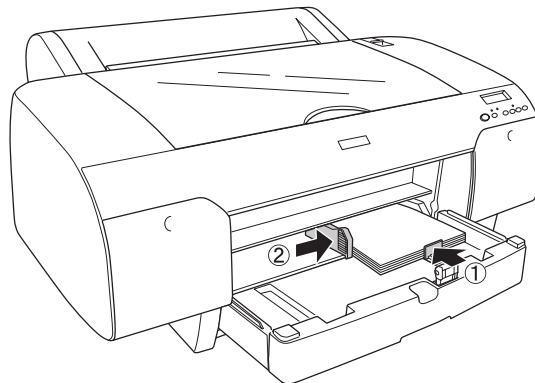
If the paper is curled, flatten it before you load it. If it curls excessively and jams frequently, stop using it.

7. Load the sheets with the printable face-down and the right edge of the paper resting against the right side of the paper tray. Make sure the sheets lie flat on the bottom of the tray. Don't load paper above the arrow mark inside the edge guide.

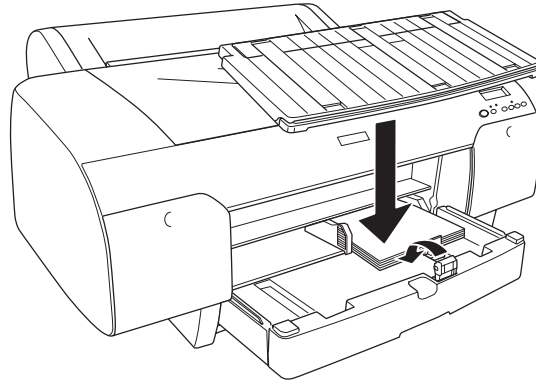


Note:

- ❑ Always load the paper's short edge first.
 - ❑ When you load sheets of paper, make sure to put the edges of the paper against the right inner corner of the paper tray; otherwise, printing may become misaligned.
 - ❑ When you add more sheets of paper to the paper tray, always line up the edges of the added paper to those of the paper already loaded.
8. Push the paper guide against the edge of the paper stack and adjust the edge guide according to the paper size.



9. Flip the paper guide roller down and re-attach the paper tray cover.



Note:

- ❑ *Make sure the roll paper support is not raised.*
- ❑ *Before printing on cut sheet media, make sure paper in the paper tray is not curled. If it is curled, uncurl it; otherwise, a paper jam may occur.*

Now, the printer is ready to print. While the printer is printing, do not open the top cover. If the top cover is opened while printing is in progress, the printer stops printing, and then restarts printing when the top cover is closed. Stopping and restarting printing may reduce the print quality.

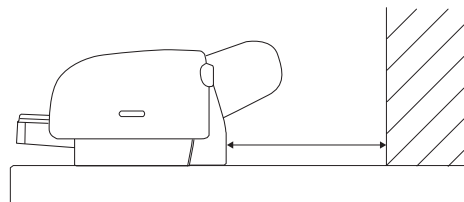


Caution:

Do not leave paper in the printer for a long period of time; its quality will deteriorate. Epson recommends that you remove the paper from the printer after printing.

Loading paper into the front manual feed slot

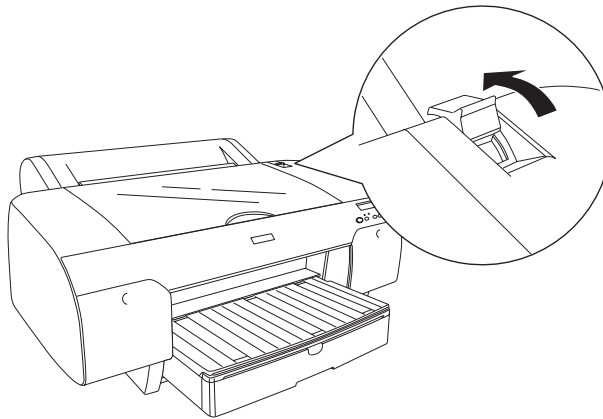
When printing from the front manual feed slot, keep enough space behind the back of the printer for the paper to be fed without obstruction. Refer to the table on the next page for space requirements.



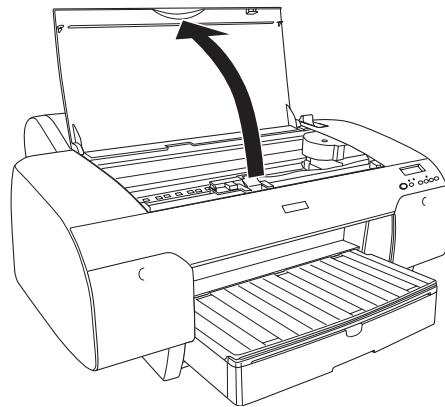
Paper size	Space
A2	14.86 inches (377.5 mm)
Super A3/B	10.49 inches (266.5 mm)
A3	8.01 inches (203.5 mm)
A4	3.17 inches (80.5 mm)

Note:

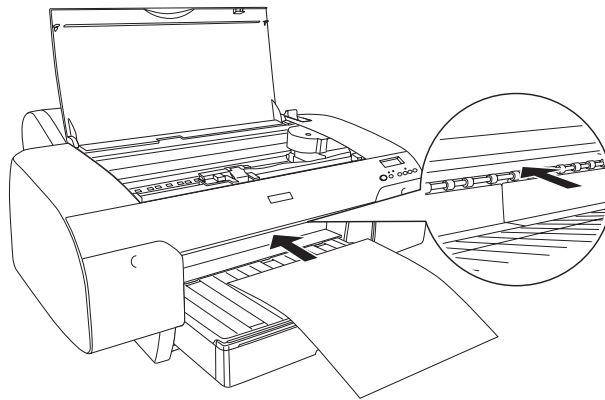
- ❑ *When PPR SIZE CHK is set to OFF on the printer's control panel, you cannot feed paper from the front manual feed slot. See "PPR SIZE CHK" on page 120 for details.*
 - ❑ *Always load thick paper (0.8 to 1.5 mm) in the front manual feed slot.*
 - ❑ *Load one sheet at a time into the front manual feed slot.*
 - ❑ *Load paper with the printable side face-up.*
1. Make sure the printer is turned on and is in the READY state.
 2. Press the < paper source button to select sheet.
 3. Move the paper lever to the released position.



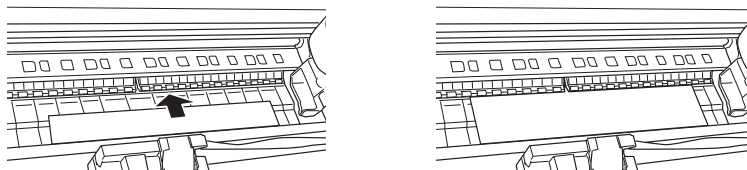
4. Open the top cover.



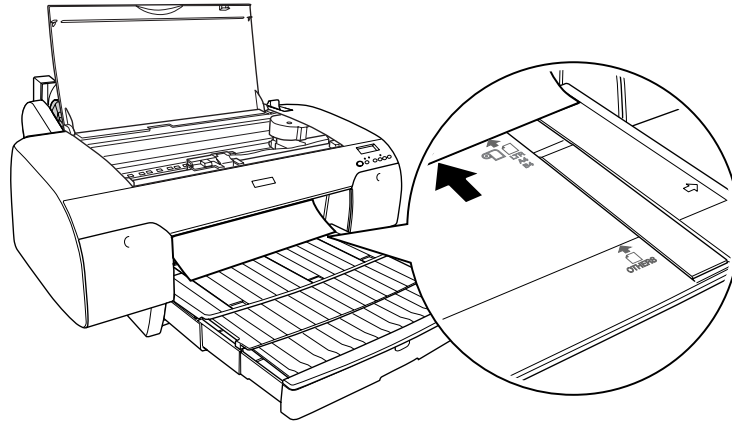
5. Insert a sheet face-up.



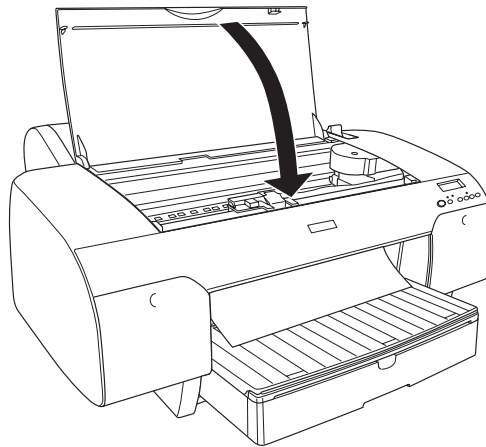
6. Push the sheet under the gray feed rollers.



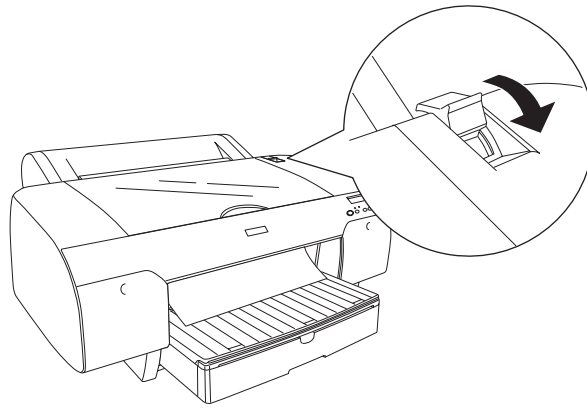
7. Align the right side of the paper with the arrow mark on the paper tray cover, as shown below. Align the bottom edge of the paper with the appropriate line on the paper tray. If your paper size is Letter, A4, or B4, align the paper edge with the LTR/A4/B4 line. If you're using another paper size, align the paper edge with the OTHERS line.



8. Close the top cover.



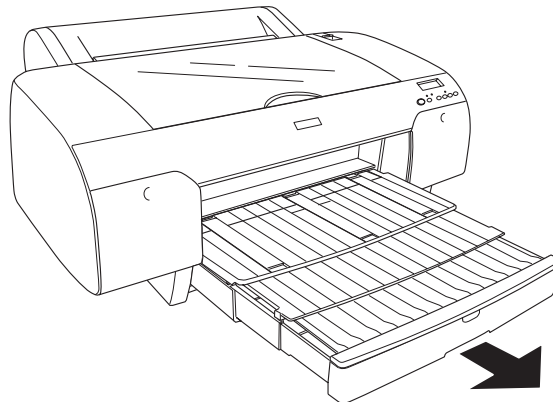
9. Move the paper lever to the secured position. The printer automatically feeds the paper to the printing position.



Note:

- ❑ If PPR SIZE CHK is set to OFF on the printer's control panel, REMOVE PAPER appears on the LCD. You need to select ON for PPR SIZE CHK. See "PPR SIZE CHK" on page 120 for details.
- ❑ If you press the **||** pause button, the printer starts to feed the paper to the printing position immediately.

10. Extend the paper tray and cover if necessary to support the sheet as it comes out of the printer.



Note:

Make sure the roll paper support is not raised.

Now, the printer is ready to print. While the printer is printing, do not open the top cover. If the top cover is opened while printing is in progress, the printer stops printing, and then restarts printing when the top cover is closed. Stopping and restarting printing may reduce the print quality.



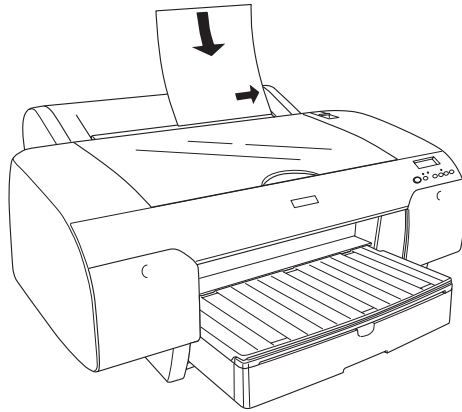
Caution:

Do not leave paper in the printer for a long period of time; its quality will deteriorate. Epson recommends that you remove the paper from the printer after printing.

Loading paper into the rear manual feed slot

Note:

- Load one sheet at a time into the rear feed slot.
 - Load paper with the printable side face-up.
 - Always load A4, Letter size, or 8 × 10 in. recycled or plain paper short edge first. Other paper sizes and types with a thickness between 0.08 and 0.79 mm can be loaded long edge first.
1. Make sure the printer is turned on and is in the **READY** state.
 2. Press the < paper source button to select sheet.
 3. Align the sheet with the right edge of the slot and insert it until it meets resistance. Make sure the sheet is straight.

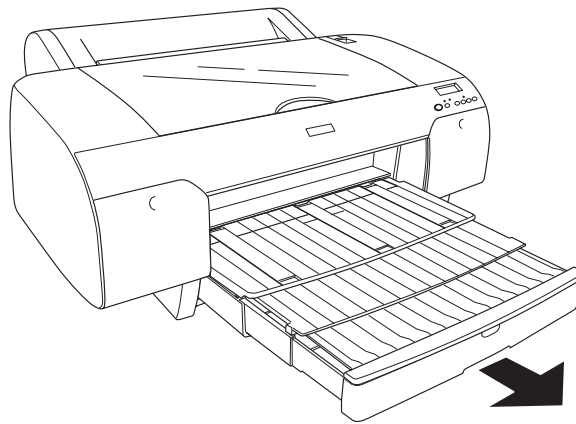


The printer automatically feeds the paper to the printing position.

Note:

*If you press the **||** pause button, the printer starts to feed the paper to the printing position immediately.*

4. Extend the paper tray and cover if necessary to support the sheet as it comes out of the printer.



Note:

Make sure the roll paper support is not raised.


Now, the printer is ready to print. While the printer is printing, do not open the top cover. If the top cover is opened while printing is in progress, the printer stops printing, and then restarts printing when the top cover is closed. Stopping and restarting printing may reduce the print quality.



Caution:

Do not leave paper in the printer for a long period of time; its quality will deteriorate. Epson recommends that you remove the paper from the printer after printing.

Replacing Ink Cartridges

When the printer's  ink light is flashing, one or more of the ink cartridges is low on ink. When the light remains on, this indicates that an ink cartridge is expended and you need to replace the expended ink cartridge. The printer's LCD also displays `INK LOW` or `REPLACE INK CRTG.`

Note:

Even if only one ink cartridge is expended, the printer cannot continue to print until you replace it.

Follow the steps on the next page to replace an ink cartridge.




Caution:

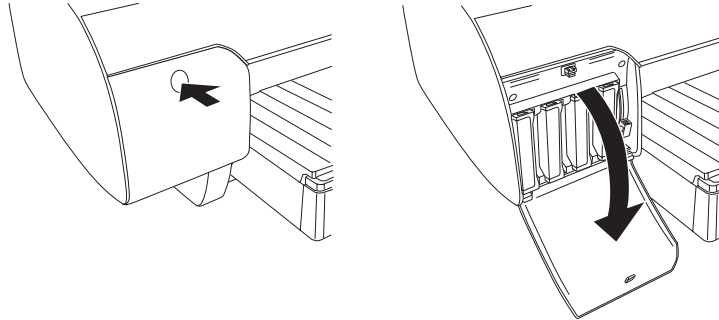
- We recommend that you use genuine Epson cartridges and do not refill them. The use of other products may affect your print quality and could result in printer damage.*

- Leave the old ink cartridge installed in the printer until you are ready to replace it with a new one.*

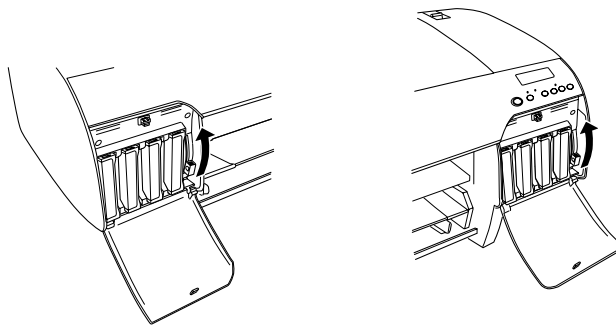
Use the following Epson UltraChrome K3 with Vivid Magenta ink cartridges:

Cartridge	110 ml	220 ml
Photo Black	T605100	T606100
Cyan	T605200	T606200
Vivid Magenta	T605300	T606300
Yellow	T605400	T606400
Light Cyan	T605500	T606500
Vivid Light Magenta	T605600	T606600
Light Black	T605700	T606700
Light Light Black	T605900	T606900
Matte Black	T613800	T614800

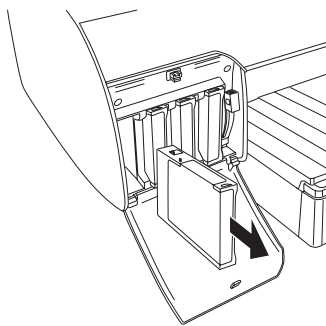
1. Make sure the printer is on. Find out which cartridge needs to be replaced, as indicated by the steady or flashing  ink light.
2. Press the ink compartment cover to open it.



3. Raise the ink lever to the released position.



4. Carefully pull the expended cartridge straight out of the printer.



Note:

Make sure you save your first set of expended 110 ml cartridges, so you can use them for transporting the printer if necessary.



Warning:

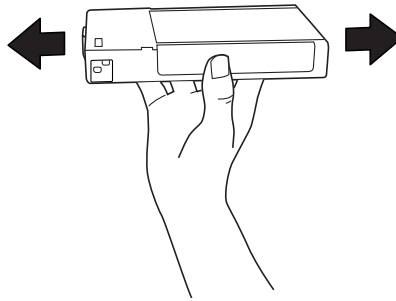
If ink gets on your hands, wash them thoroughly with soap and water. If ink gets into your eyes, flush them immediately with water.



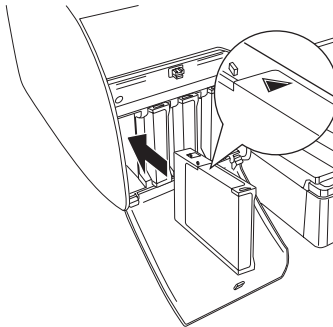
Caution:

Do not shake the expended ink cartridge, or ink may leak out.


5. Make sure the replacement ink cartridge is the correct color, and then remove it from the package.
6. Shake the ink cartridge well before installing it.



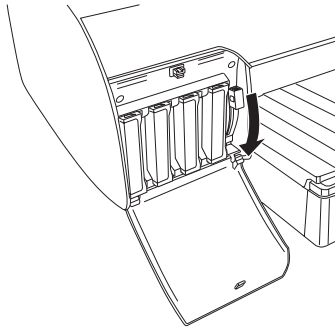
7. Hold the ink cartridge with the arrow mark facing up and pointing to the rear of the printer, and then insert it into the slot. Don't force it in.



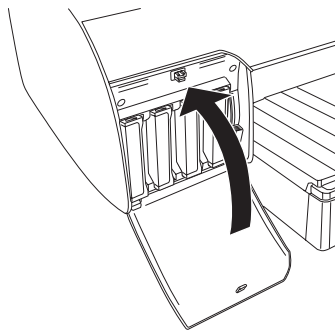
Note:

- ❑ *A protection system is provided to prevent improper cartridge insertion. If you cannot insert the ink cartridge smoothly, the type of cartridge may be incorrect. Check the package and product code.*
- ❑ *If the  ink light remains on, the ink cartridge may not be installed correctly. Remove the ink cartridge and then reinsert it as described above.*
- ❑ *If you install an ink cartridge in the wrong slot, `NO INK CRTG` appears on the LCD. Make sure that the correct ink cartridge is installed in the correct slot.*

8. Lower the ink lever to the locked position.



9. Close the ink compartment cover. The printer returns to the previous state.



Note:

If you have installed a 220 ml ink cartridge, don't close the ink compartment cover.

Changing the Black Ink Cartridge

You can change the black ink according to your purpose. You can choose either Matte Black or Photo Black.



Caution:

To avoid interrupting a black ink change, observe the following conditions:

- Do not turn off the printer.
- Do not open the top cover.
- Do not remove the rear cover.
- Do not move the paper lever to the released position.
- Do not remove the ink cartridges.
- Do not remove the maintenance tank.
- Do not unplug the power cord.

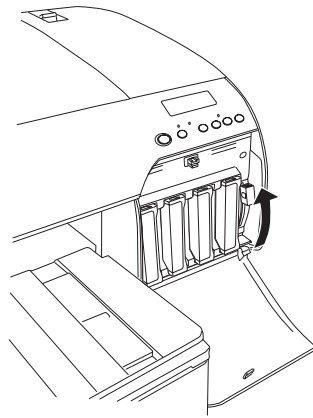
Note:

- If an electrical power failure occurs during this operation, turn the printer on again. You can continue your procedure at the breakpoint.
- The Black Ink Conversion Kit is required when changing the black ink. Also, the black ink cartridge that you want to change to (either Matte or Photo) is required. To check the product code, see "Options and Consumable Products" on page 241.
- If `!MNT TK NEAR FULL` or `!MNT TNK FULL` appears on the LCD, you need to replace the maintenance tank. See "Replacing the Maintenance Tank" on page 178.
- The black ink installed in your printer before the change cannot be expended.

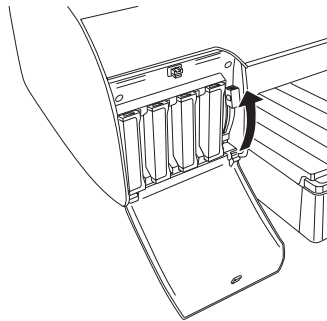
To change the black ink, follow the steps below.

1. Make sure that `READY` appears on the LCD.
2. Press **Menu** to enter the printer's menu system.
3. Press **^** or **v** to select `MAINTENANCE`, then press **Menu**.
4. Press **^** or **v** to select `BK INK CHANGE`, then press **Menu**.
5. Press **Menu** again.

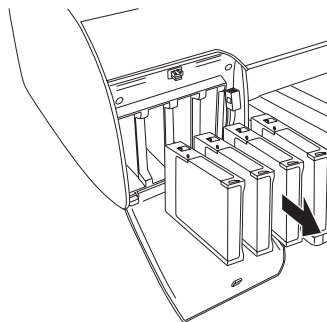
6. When RAISE THE RIGHT INK LEVER appears on the LCD, raise the ink lever on the right ink compartment.



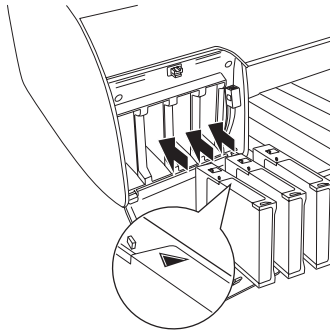
7. When RAISE THE LEFT INK LEVER appears on the LCD, raise the ink lever on the left ink compartment.



8. When REMOVE INK CRTG appears on the LCD, remove all four ink cartridges from the left ink compartment.



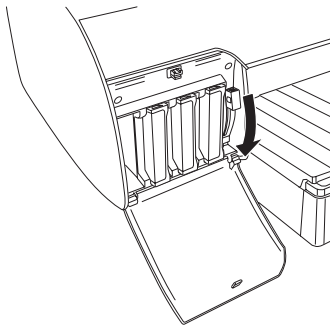
9. When `INSTALL CNVERSION CRTG` appears on the LCD, insert three conversion cartridges in the slots on the left ink compartment.



Note:

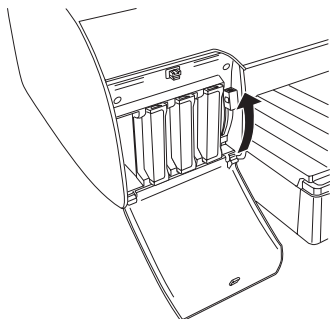
If `REPLACE CNVERSION CRTG` appears on the LCD, press the **||** pause button. Remove the old conversion cartridge(s) from the left ink compartment, and then insert the new conversion cartridge(s). Go to step 4 to start again.

10. When `LOWER THE LEFT INK LEVER` appears on the LCD, lower the ink lever on the left ink compartment.

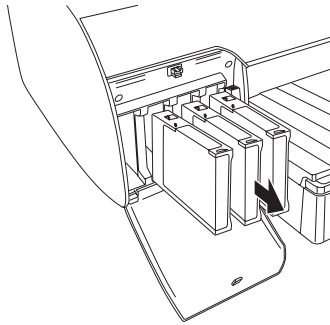


The printer starts draining ink, and `DRAINING XX%` appears on the LCD. Wait until draining is complete.

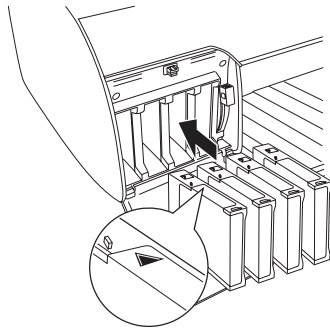
11. When draining is complete, `RAISE THE LEFT INK LEVER` appears on the LCD. Raise the ink lever on the left ink compartment.



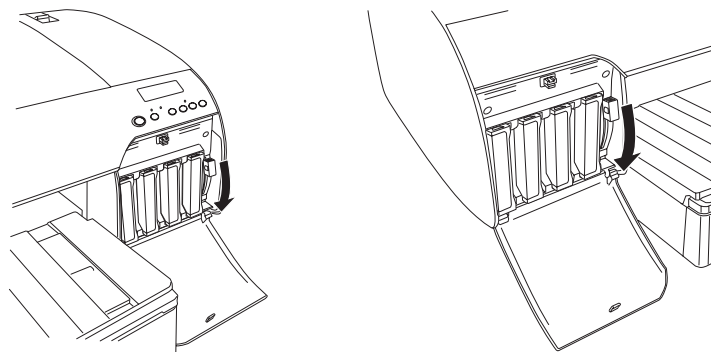
12. When REMOVE CNVERSION CRTG appears on the LCD, remove the conversion cartridges from the slots in the left ink compartment.



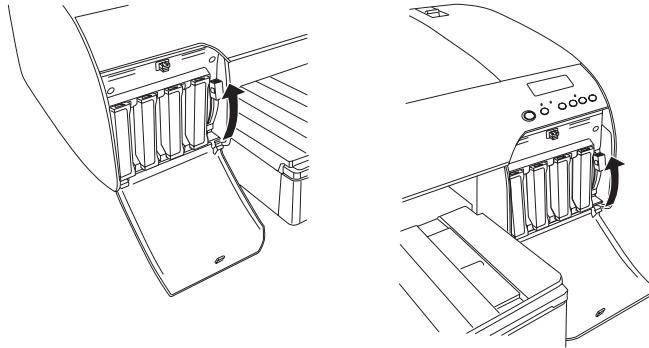
13. When INSERT INK CRTG appears on the LCD, insert the new black ink cartridge and the other cartridges in their specified slots.



14. When LOWER BOTH INK LEVERS appears on the LCD, lower the ink levers on the right and left ink compartments.



15. When RAISE BOTH INK LEVERS appears on the LCD, raise the ink lever on the right and left ink compartments.



The printer starts charging ink. After a while, ink lever messages appear on the LCD. When a message appears on the LCD, raise or lower the ink levers accordingly until READY appears on the LCD.

Note:

Because ink charging after black ink conversion consumes a large quantity of ink, you may need to replace the ink cartridges soon.

16. When READY appears on the LCD, ink charging is completed. Close the ink compartment covers.

Note:

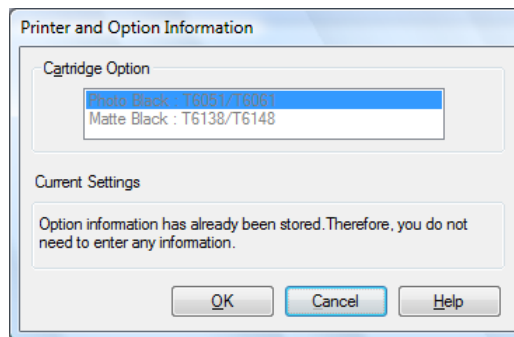
If you have installed 220 ml ink cartridges, do not close the ink compartment covers.

Updating the printer driver information

After the replacement operation, update the driver information using the steps below.

For Windows

Click the **Main** tab and make sure that the correct ink cartridge is displayed. If not, set the information manually by clicking the **Utility** tab and then the **Printer and Option Information** button.



For Mac OS X

Remove the printer from the Printer Setup Utility and then add it again.

Replacing the Maintenance Tank

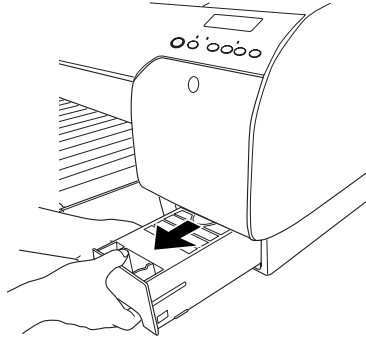
If MNT TNK FULL or MNT TK NEAR FULL appears on the LCD, replace the maintenance tank.

To check the product code of the maintenance tank, see "Maintenance tank" on page 242.

To replace the maintenance tank, follow the steps below.

1. Make sure the printer is not printing or performing any other operations (READY or PAPER OUT should appear on the LCD).
2. If you are using 220 ml ink cartridges, remove the four ink cartridges from the right ink compartment. Make sure to close the ink compartment cover after you have removed the ink cartridges.

3. Remove the new maintenance tank from its package.
4. Place your hand on the handle under the right ink compartment, then gently pull out the maintenance tank.



Warning:

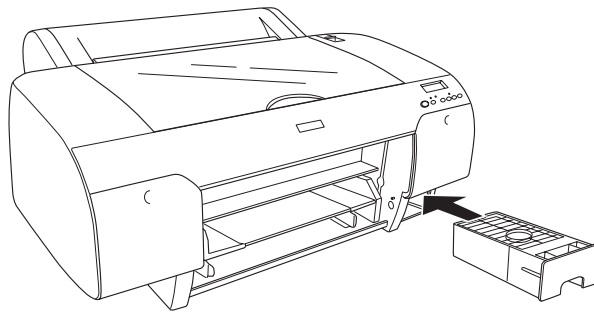
If ink gets on your hands, wash them thoroughly with soap and water. If ink gets into your eyes, flush them immediately with water.

5. Place the used maintenance tank in the plastic bag included with the new tank.

Note:

Do not tilt the used maintenance tank until after it is sealed in the plastic bag.

6. Insert the new tank.



7. If you are using 220 ml ink cartridges, reinstall the removed ink cartridges.

Replacing the Paper Cutter Blade

When the paper cutter blade does not cut cleanly, it may be blunt and require replacement.



Warning:

Be careful not to cut yourself while replacing the paper cutter.

You can obtain a new cutter blade from Epson (product code C12C815291).

To replace the paper cutter, follow the steps below.

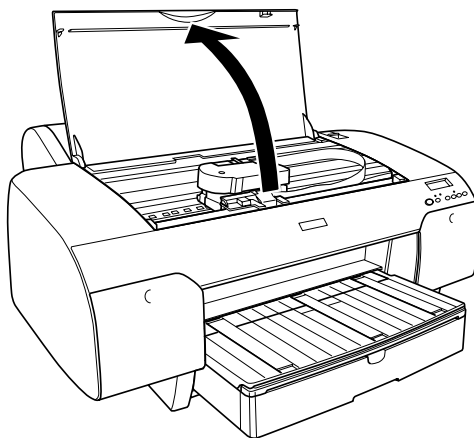
1. Make sure the printer is on.
2. Press **>/⏏ Menu** to enter the printer's menu system.
3. Press **✓** to highlight CUTTER REPLACE.
4. Press **>/⏏ Menu** to display EXEC, then press **>/⏏ Menu** again. The print head moves to the replacement position and OPEN TOP COVER appears on the LCD.



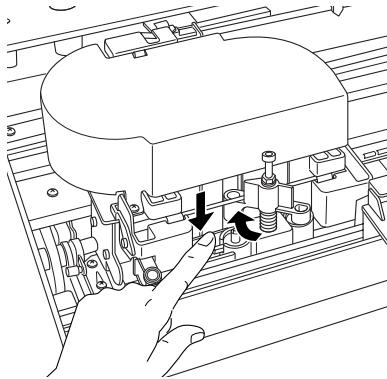
Caution:

Never move the paper cutter holder by hand; otherwise, damage to your printer may occur.

5. Open the top cover.

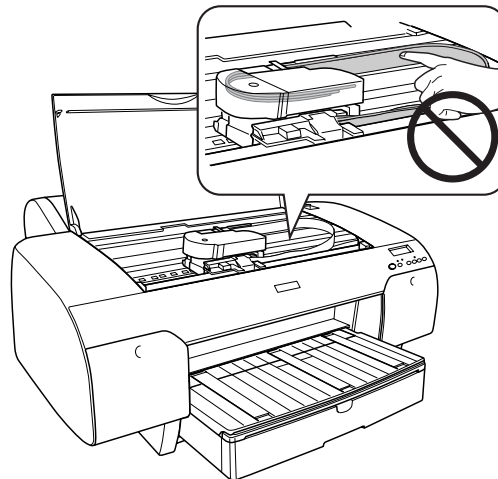


6. When REPLACE CUTTER appears on the LCD, hold down the side pin as shown and turn the latch to the right.

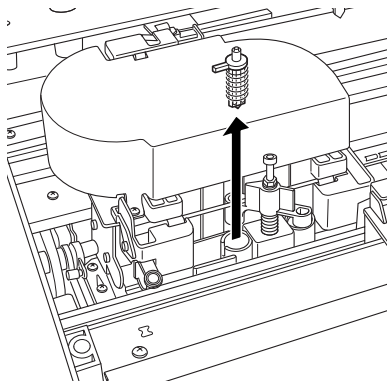


Caution:

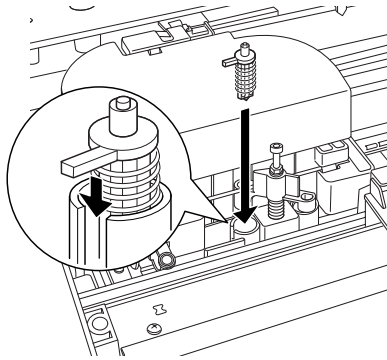
Be careful not to touch the parts highlighted below; otherwise, you may damage the printer.



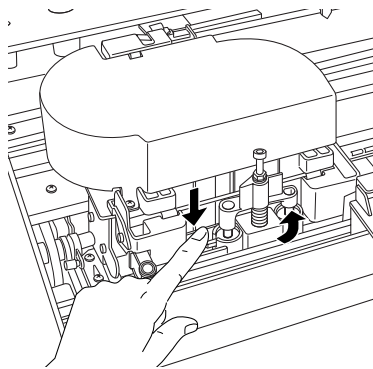
7. Slowly release the side pin, and carefully remove the old cutter blade.



8. Insert the new cutter blade as shown.



9. Push down on the side pin while turning the latch to the left.



10. When `CLOSE TOP COVER` appears on the LCD, close the top cover. The print head moves to the home position.

11. Wait until `READY` appears on the LCD.

Cleaning the Printer

To keep your printer in top operating condition, clean it thoroughly if it becomes dirty.



Warning:

Do not touch the gears inside the printer.



Caution:

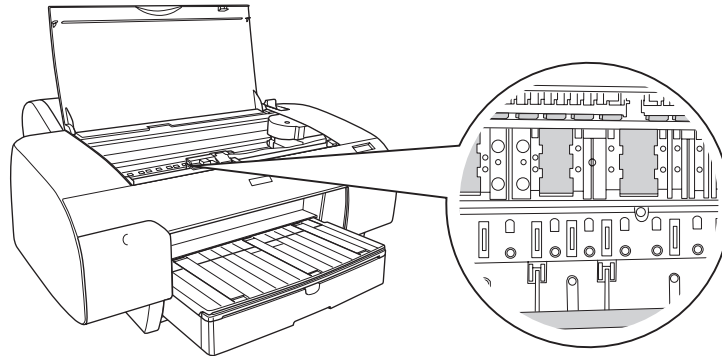
- ❑ Never use alcohol or paint thinner to clean the printer; these chemicals can damage the components as well as the case.
- ❑ Do not let water get on the printer mechanism or electronic components.
- ❑ Do not use a hard or abrasive brush to clean the printer.
- ❑ Do not spray the inside of the printer with lubricants; unsuitable oils can damage the mechanism. Contact your dealer or a qualified service person if lubrication is needed. See "Where To Get Help" on page 229.

1. Make sure the printer is turned off and all the lights are off, and then unplug the power cord. Let the printer sit for a minute.



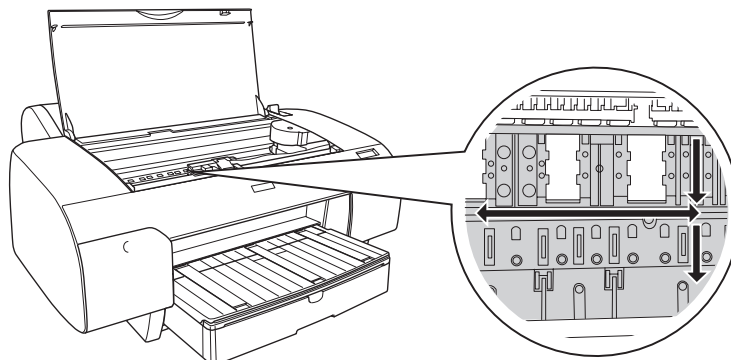
Caution:

Do not touch the following parts; otherwise, printouts may be soiled.



2. Open the top cover and then use a soft, clean cloth to carefully remove any dust or dirt inside the printer. Wipe the gray area shown below in the direction of the arrows.

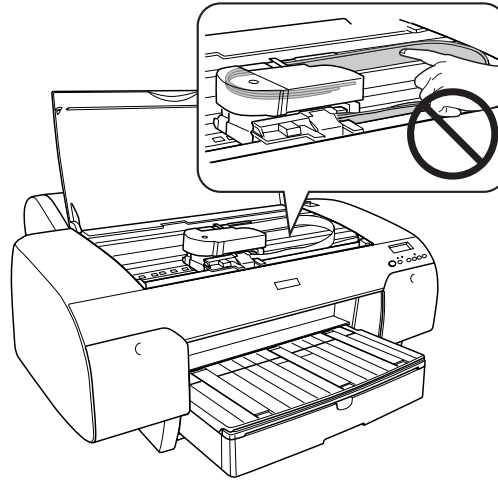
If there is an excessive dirt on the inside of the printer, clean it using a soft, clean cloth dampened with mild detergent. Then, wipe the inside of the printer dry with a dry, soft cloth.



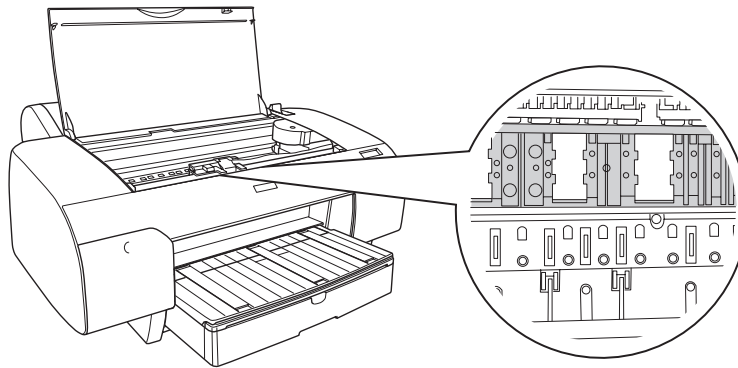


Caution:

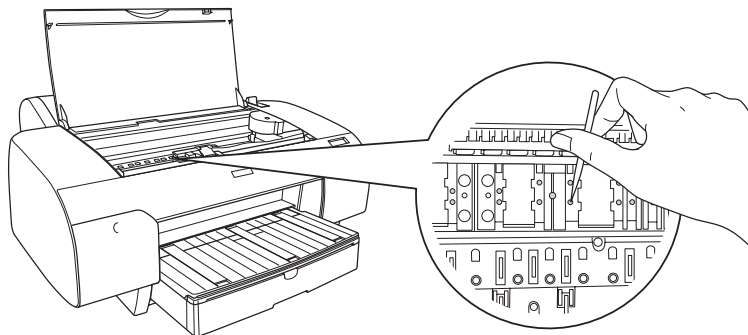
Be careful not to touch the parts highlighted below; otherwise, you may damage the printer.



3. If the back of your printouts are soiled, carefully clean the platen (the gray area shown below) using a soft, clean cloth.



4. If you see powdery paper dust in the platen, use a toothpick to remove it.



5. Close the top cover.
6. If the outer case is dirty, clean it using a soft, clean cloth dampened with mild detergent. Keep the ink compartment covers closed to prevent water from getting inside.

If you have not used your printer for a long time

If you have not used your printer for a long time, the print head nozzles may become clogged. Perform a nozzle check and clean the print head as necessary.

To perform a nozzle check using the control panel, see "Checking the print head nozzles" on page 130.

To perform a nozzle check using the printer software, see "Checking the print head nozzles" on page 88 for Windows, or "Checking the print head nozzles" on page 39 for Mac OS X.

To clean the print head using the control panel, press **➤/⏪ Menu** for more than 3 seconds.

To clean the print head using the printer software, see "Cleaning the print head" on page 89 for Windows, or "Cleaning the print head" on page 40 for Mac OS X.

If you have not used your printer for more than six months, the print head needs to be cleaned. If you see a message on the LCD asking you whether you would like to run an auto nozzle check, select **Y** to start the nozzle check procedure. Inspect the nozzle check and run a cleaning cycle if necessary.

If you want to perform head cleaning later, select **N**.

Note:

Even if you will not be using your printer for a long time, leave the ink cartridges installed.

Transporting the Printer

If you are moving the printer a short distance (for example, in the same building), raise the ink levers and have at least two people lift the printer.

To ship the printer, you must repack it using the original box and packing materials and secure it to a pallet. If you do not have these items, contact Epson to request them. Otherwise, the printer may be damaged beyond repair.

Note:

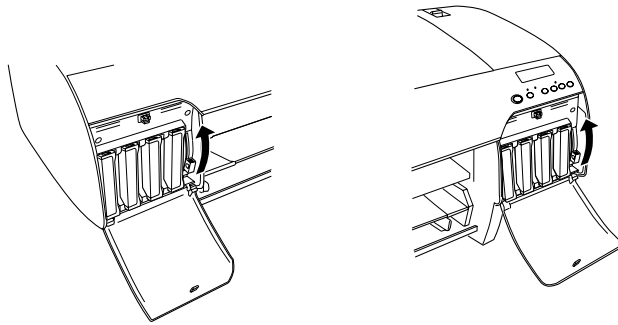
Ask someone to help you lift the printer. It weighs approximately 110.3 lb (50 kg) and should be lifted carefully by two people.

Preparing the printer for shipment

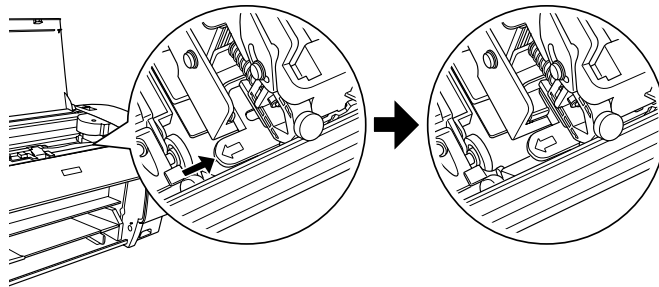
1. Turn off the printer and unplug the power cord.
2. Remove the following parts.
 - All paper or other media
 - Roll paper spindle
 - Paper tray and paper tray cover
3. If you are using the 110 ml ink cartridges, leave them installed. If you are using 220 ml cartridges, remove them and install 110 ml cartridges.

To store partially used cartridges removed from the printer, tape over the needle valve hole and place each cartridge in a separate, resealable plastic bag. Be sure to remove the tape before reinstalling the cartridges. The printer must be powered on when removing or installing ink cartridges.

4. Raise the ink levers.

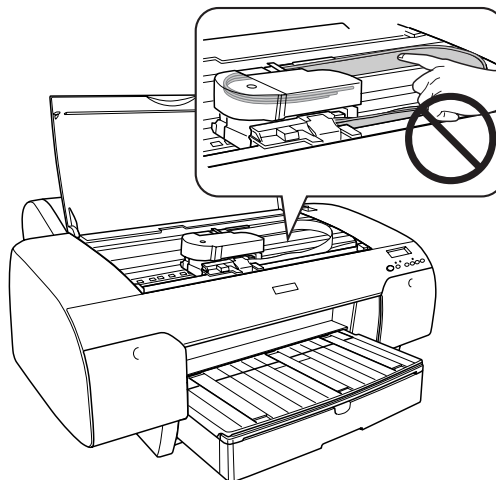


5. Make sure the print head is in the home (far right) position. Then lock the print head by pushing the green tab to the right.



Caution:

Be careful not to touch the parts highlighted below; otherwise, you may damage the printer.



6. If you saved the carriage retainer bracket, replace it and screw it back into place. (See your *Start Here* sheet.)

7. If you need to ship the printer, you must repack it using the original box and packing materials and secure it to a pallet. If you do not have these items, contact Epson to request them. Otherwise, the printer may be damaged beyond repair.

If you are transporting the printer in your own vehicle without the original packaging, make sure you wrap and pack the printer securely. Transport the printer in a horizontal position on a flat, stable surface.

8. Keep the printer level while moving it.

Setting up the printer after transportation

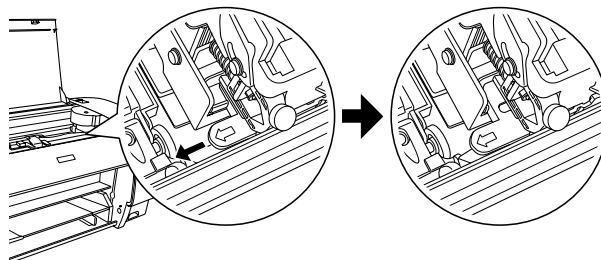
To set up the printer after transporting it you need to follow the same steps you used to set it up the first time. Follow the instructions on the *Start Here* sheet, and note the following points:

- Do not forget to remove any protective materials.
- If you installed the carriage retainer bracket, remove it. (See your *Start Here* sheet.)
- Do not forget to pull the green tab on the left side of the print head to release the print head.



Caution:

Do not push down the green tab; otherwise you may break it.



- The first time you start printing after transporting the printer, or if you have not turned it on for a long time, the print head nozzles may be clogged. Epson recommends that you perform a nozzle check and clean the print head, and also realign the print head to ensure the best print quality.

To perform a nozzle check using the control panel, see "Checking the print head nozzles" on page 130.

To perform a nozzle check using the printer software, see "Checking the print head nozzles" on page 88 for Windows, or "Checking the print head nozzles" on page 39 for Mac OS X.

To clean the print head using the control panel, press **>/J Menu** for 3 seconds.

To clean the print head using the printer software, see "Cleaning the print head" on page 89 for Windows, or "Cleaning the print head" on page 40 for Mac OS X.

To realign the print head using the control panel, see "Aligning the print head" on page 131.

To realign the print head using the printer software, see "Aligning the print head" on page 90 for Windows, or "Aligning the print head" on page 41 for Mac OS X.

Troubleshooting

Printer stops printing unexpectedly

Head cleaning, ink charging, or ink drying is in progress

Check to see if the **||** pause light is flashing. If so, the printer is in the process of head cleaning, ink charging or ink drying. During head cleaning, ink charging, and ink drying, **PLEASE WAIT** appears on the LCD. Wait until the printer resumes printing.

An error has occurred

Many common printer problems can be identified by the messages on the LCD.

You can also check the lights on the control panel for errors. See "Lights" on page 109.

For other messages not included in the following table, see "Messages" on page 110.



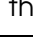

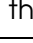


Error messages


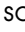

Message	Description	What to do
MNT TK NEAR FULL	The maintenance tank is almost full.	Although you can continue printing, you need to replace the maintenance tank with a new one immediately. See "Replacing the Maintenance Tank" on page 178.
INK LOW	The ink cartridge is almost expended.	You need to replace the ink cartridge soon. Although you can continue printing when the INK LOW message appears, your print quality may decline.
MNT REQ nnnn	A part used in the printer has nearly reached the end of its life. "nnnn" shows the code of the part.	Note the code and contact Epson. See "Where To Get Help" on page 229.
REMOVE PAPER	Cleaning cannot be executed because thick paper is loaded.	Remove the thick paper and move the paper lever to the secured position.
	The printer could not feed the paper.	Remove the paper.
RELEASE LEVER REMOVE PAPER JAM	The paper is jammed.	Remove the jammed paper. See "Clearing paper jams" on page 209 for details.
NOZZLES STILL CLOGGED	The nozzles are still clogged.	Run the Head Cleaning utility. For Windows, see "Cleaning the print head" on page 89. For Mac OS X, see "Cleaning the print head" on page 40.
CHANGE PAPER TYPE	The loaded paper does not match the paper source selected.	Press the < paper source button to select the correct setting: either □ for paper in the tray or ㊄ or ㊄ for roll paper.

Message	Description	What to do
WRONG PAPER SIZE	The loaded paper size does not match the data size.	Match the loaded paper size to the data size.
PAPER OUT	No paper is loaded in the printer or is loaded incorrectly.	Load paper correctly.
	Roll paper has run out during printing.	Load a new paper roll.
NO BORDERLESS WITH THIS SIZE RELOAD PAPER Note: These messages display alternately on the LCD.	A2 size cut sheet media has been installed for borderless printing.	Install a different size of cut sheet media or roll paper.
RELOAD PAPER	The printer cannot detect the loaded cut sheet media, because it is wavy or curled.	Flatten the cut sheet media.
	The printer cannot detect the loaded paper.	Move the paper lever.
NOT STRAIGHT RELOAD	Cut sheet media is not loaded straight, and needs to be aligned.	Load the cut sheet media correctly. See "Loading cut sheet media" on page 153.
PAPER NOT STRAIGHT	The paper is not loaded straight.	Load paper straight.
COMMAND ERROR CHECK DRIVER SETTINGS	Damaged data has been sent to the printer.	Stop printing, and press the ■ pause button for 3 seconds.
	The printer receives data with a wrong command.	
	The installed printer driver is not correct for the printer.	Stop printing, and press the ■ pause button for 3 seconds. Then make sure that the installed printer driver is correct for the printer.
REPLACE INK CRTG	The ink cartridge is expended.	Replace the expended ink cartridge with a new one. See "Replacing Ink Cartridges" on page 169.

Message	Description	What to do
INVALID INK CRTG	An ink cartridge with the wrong product code is installed.	Remove the ink cartridge, and install the ink cartridge with the correct product code. See "Ink cartridges" on page 242.
WRONG INK CRTG	An ink cartridge that cannot be used with this printer is installed.	Remove the ink cartridge, and install an ink cartridge that can be used with this printer. See "Ink cartridges" on page 242.
PLEASE USE GENUINE EPSON INK CARTRIDGES	A non-genuine Epson ink cartridge is installed.	Replace the ink cartridge with a genuine Epson ink cartridge. See "Replacing Ink Cartridges" on page 169 and "Ink cartridges" on page 242.
NON-GENUINE CARTRIDGE MAY NOT PERFORM AT OPTIMUM. CONTINUE? <YES NO>	A non-genuine Epson ink cartridge is installed.	Select NO (press the >/J Menu button) to replace the ink cartridge with a genuine Epson ink cartridge. See "Replacing Ink Cartridges" on page 169. Otherwise, select YES (press the < paper source button).
DO YOU ACCEPT THIS? <ACPT. DECLINE>	A non-genuine Epson ink cartridge is installed.	Select DECLINE (press the >/J Menu button) to replace the ink cartridge with a genuine Epson ink cartridge. Selecting ACCEPT (press the < paper source button) may cause damage not covered by Epson's warranty.
SET INK CRTG	An error has occurred while reading or writing data.	Remove the ink cartridge and reinstall it. If this message appears after reinstalling the ink cartridge, replace it. See "Replacing Ink Cartridges" on page 169.



Message	Description	What to do
NO INK CRTG	No ink cartridge is installed or the ink lever is raised to the released position.	Install an ink cartridge or lower the lever to the secured position.
MNT TNK FULL	The maintenance tank is full.	Replace the maintenance tank with a new one. See "Replacing the Maintenance Tank" on page 178.
NO MNT TNK	The maintenance tank is not installed in the printer.	Install the maintenance tank. See "Replacing the Maintenance Tank" on page 178.
UNLOCK PRINT HEAD	Print head is locked.	Remove the protective materials and pull the green tab on the left side of the print head to release the print head.
PRINTER ERROR RESTART THE PRINTER	A printer error has occurred.	Turn the printer off, and then turn it on again.
SERVICE REQ nnnnnnnn	Print head is locked.	Remove the protective materials and pull the green tab on the left side of the print head to release the print head.
	A fatal error has occurred.	Turn the printer off and let it sit with the power cable unplugged for a while. Then try connecting the power cable and turning the printer back on again. If this message appears on the LCD again, note the code and contact Epson. See "Where To Get Help" on page 229.
UNABLE TO PRINT	An error may be occurring when you try to print patterns such as nozzle check or head alignment.	Press the ■ pause button to exit the TEST PRINT menu, then solve the error displayed on the LCD. Then try the nozzle check or head alignment again.

Message	Description	What to do
RELOAD PAPER INSERT DEEPLY	Cut sheet media inserted from the front manual feed slot is not inserted deep enough.	Insert the paper deeper. See "Loading paper into the front manual feed slot" on page 161.
PAPER NOT CUT	Paper is not cut correctly when  Roll Auto Cut On is selected.	Open the top cover and remove the uncut paper. If RELOAD PAPER appears on the LCD, reload paper.
		The paper cutter may not be installed correctly. See "Replacing the Paper Cutter Blade" on page 180.
		Paper cutter may be blunt. Replace the paper cutter. See "Replacing the Paper Cutter Blade" on page 180.
DRIVER INK SET SETTING IS WRONG MISMATCH ERROR Note: These messages display alternately on the LCD.	The cartridge option of the printer driver has not been changed yet.	Stop printing, and then press and hold the  pause button for 3 seconds. Finally, select the correct ink cartridge in the printer driver according to the actual ink cartridge set on the printer. See "Updating the printer driver information" on page 178. If you want to continue printing, press the  pause button.
	Non-Epson genuine ink cartridge is installed.	Press and hold the  pause button for 3 seconds to cancel printing. If you want to continue printing, press the  pause button.
LOAD ROLL PAPER	The roll paper is not set correctly.	Load the roll paper correctly, and select  Roll Auto Cut On or  Roll Auto Cut Off. See "Loading roll paper" on page 146.

Message	Description	What to do
LOAD SHEET PAPER IN P. TRAY	The cut sheet media is not set correctly in the paper tray.	Set the cut sheet media in the paper tray correctly, and select  Sheet. See "Loading cut sheet media" on page 153.
FEED SHEET PAPER	The cut sheet media needs to be loaded manually.	Load the cut sheet media.
FORBIDDEN MEDIA FROM P. TRAY	The cut sheet media you are using needs to be loaded from the front or rear manual feed slot, but you are loading it in the paper tray.	Remove the cut sheet media from the paper tray, and load it from the proper paper feed slot. See "Checking the paper path" on page 151.
FEED SHEET PAPER MANUALLY	The cut sheet media you are using needs to be loaded manually.	Load the cut sheet media manually from the front or rear manual feed slot. See "Checking the paper path" on page 151.
TIMES REMAINING	The conversion cartridge needs to be replaced soon. (The remaining number of times you can use the conversion cartridge appears on the LCD.)	You need to replace the conversion cartridge soon. Press the  pause button.
REPLACE CNVRSION CRTG	The conversion cartridge needs to be replaced.	Replace the conversion cartridge with a new one. Or, complete the replacement of the black ink by pressing the  pause button.
LOWER INK LEVERS	Both ink levers have been raised.	Lower the ink levers.
LOWER L INK LVR	The ink lever in the left ink compartment has been raised.	Lower the ink lever in the left ink compartment.
LOWER R INK LVR	The ink lever in the right ink compartment has been raised.	Lower the ink lever in the right ink compartment.
TOP COVER OPEN	Top cover is open.	Close the top cover.
LOAD PAPER	The paper lever is in the released position.	Move the paper lever to the secured position.

Message	Description	What to do
SET PAPER LEVER	Paper lever is in the released position.	Move the paper lever to the secured position.
REAR COVER OPEN	The rear cover is open.	Close the rear cover.
UPDATE FAILED	The printer failed to update the firmware.	Update the firmware again.

The printer does not turn on or stay on

When the  pause light does not come on and mechanism initialization does not start even when the  power button is pressed to turn on the printer, try the following:

- Turn off the printer and make sure the power cord is securely plugged into the printer.
- Make sure your outlet works and is not controlled by a wall switch or timer.
- Make sure the supplied voltage to the printer matches the rating voltage labeled on the printer. If not, turn off the printer and unplug the power cord immediately. Contact your dealer for assistance. See "Where To Get Help" on page 229.



Caution:

If the supplied voltage and rating voltage do not match, do not plug the printer back in again, as damage may occur.

The printer prints nothing

The printer is not correctly connected to the computer

Try one or more of these solutions:


- Turn off the printer and computer. Make sure the printer's interface cable is securely plugged into the correct port of the computer.
- Make sure the interface cable specifications match the specifications for the printer and computer.

- ❑ Make sure the interface cable is directly connected to the computer without passing through any device, such as a printer switching device, or extension cable.

Your Epson printer is not selected as the default printer

Install the printer driver if it is not installed yet (see the *Start Here* sheet for instructions), and follow the steps below to select your Epson printer as the default printer.

For Windows Vista

1. Click , **Control Panel**, and click **Printer** under **Hardware and Sound**.
2. Right-click **EPSON Stylus Pro 4880**.
3. Select **Set as Default Printer**, then close the window.

For Windows XP

1. Click **Start**, **Control Panel**, **Printers and Other Hardware**, and then **Printers and Faxes**.
2. Right-click **EPSON Stylus Pro 4880**.
3. Select **Set As Default Printer**, then close the window.


For Mac OS X

Make sure that the printer driver **Stylus Pro 4880** is correctly added to the Printer Setup Utility, and the correct printer is selected in the Printer Setup Utility.

Printer port setting does not match the printer connection port (for Windows only)

Follow the steps below to select the printer port.

For Windows Vista

1. Click , **Control Panel**, and click **Printer** under **Hardware and Sound**.
2. Right-click **EPSON Stylus Pro 4880**, then select **Properties**.
3. Click the **Ports** tab.
4. Make sure that your printer port is selected.

For Windows XP

1. Click **Start**, **Control Panel**, **Printers and Other Hardware**, and then **Printers and Faxes**.
2. Right-click **EPSON Stylus Pro 4880**, then select **Properties**.
3. Click the **Ports** tab.
4. Make sure that your printer port is selected.

The printer sounds like it is printing, but nothing prints

Try one or more of these solutions:

- Run the Head Cleaning utility. For Windows, see "Cleaning the print head" on page 89. For Mac OS X, see "Cleaning the print head" on page 40.
- If the Head Cleaning utility does not work, replace the ink cartridges. See "Replacing Ink Cartridges" on page 169.

Printouts are not what you expected

Incorrect, garbled characters, or blank pages print

Try one or more of these solutions:

- For Windows, clear any stalled print jobs from the Progress Meter.
- If the problem persists, turn off the printer and computer. Make sure the printer's interface cable is plugged in securely.

Incorrect margins

Try one or more of these solutions:

- Check the margin settings in your application.
- Make sure the margins are within the printable area of the page. See "Printable area" on page 231.
- For Windows, select the **Borderless** checkbox on the Main tab. Make sure the margins are correct for the paper size you are using. See "Selecting Settings on the Page Layout Tab" on page 74.

Inverted image

For Windows, turn off the **Mirror Image** setting on the Page Layout tab. See "Selecting Settings on the Page Layout Tab" on page 74.

For Mac OS X, turn off the **Flip Horizontal** setting under the Advanced settings selected in the Print window. See "Advanced Settings" on page 22.

Printed colors differ from the colors on the screen

Try one or more of these solutions:

- Adjust the **Color Density** in the Paper Configuration window. For Windows, see "Paper Configuration" on page 59. For Mac OS X, see "Paper Configuration" on page 27.
- Make sure the media type setting matches the paper being used.
- Since monitors and printers produce colors differently, printed colors will not always match on screen colors perfectly.

- ❑ For Mac OS X, select **ColorSync** to color match your system in the Printer Color Management selected in the Print window. See "Printer Color Management" on page 23.

- ❑ You can produce sharper images with more vivid colors.

For Windows, select **PhotoEnhance** in the Custom drop-down list. See "Custom mode" on page 53.

- ❑ For Windows, select **Color Controls** in the Custom drop-down list, and adjust color, brightness, etc. as required. See "Custom mode" on page 53.

For Mac OS X, select **Color Controls** under the Printer Color Management in the Print window. See "Printer Color Management" on page 23.

A ruled line shifts

Align the print head. For Windows, see "Aligning the print head" on page 90. For Mac OS X, see "Aligning the print head" on page 41.

If the problem persists, clean the print head. For Windows, see "Cleaning the print head" on page 89. For Mac OS X, see "Cleaning the print head" on page 40.

Printout has smears on the bottom edge

Try one or more of these solutions:

- ❑ If the paper is curled towards the printable side, flatten it or curl it slightly to the opposite side.
- ❑ For Windows, if you use Epson media, check the Media Type setting on the Main tab. See "Selecting Settings on the Main Tab" on page 49.





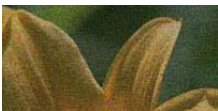
For Mac OS X, if you use Epson media, check the Media Type setting under the Print Settings in the Print window. See "Page Setup" on page 19.

For paper types other than Epson's, register and select paper thickness in Menu mode. Make sure it is correct for the paper you are using. See "Selecting paper settings" on page 134.

- Set the PLATEN GAP to WIDE in the PRINTER SETTING of Menu mode. See "PRINTER SETUP" on page 117.
- Make sure the paper is ejecting without obstruction.

Print quality could be better

If you are not satisfied with your print quality, see the section that best resembles your printout.

 <p>"Horizontal banding" on page 203</p>	 <p>"Vertical misalignment or banding" on page 204</p>
 <p>"Color documents print in black ink only" on page 206</p>	 <p>"Faint printout or gaps" on page 204</p>
 <p>"Blurry or smeared printout" on page 205</p>	

Horizontal banding

Try one or more of these solutions:

- For Windows, check the Media Type setting on the Main tab. Make sure it is correct for the paper you are using. See "Selecting Settings on the Main Tab" on page 49.

For Mac OS X, check the Media Type setting under the Print Settings in the Print window. Make sure it is correct for the paper you are using, see "Page Setup" on page 19.

- ❑ Make sure the printable side of the paper is face-up.
- ❑ Run the Head Cleaning utility to clear any clogged ink nozzles. For Windows, see "Cleaning the print head" on page 89. For Mac OS X, see "Cleaning the print head" on page 40.

You can also clean the print head nozzles using the control panel. Press **>/ Menu** for 3 seconds.

- ❑ Check the Paper Feed value. Reduce the value to improve light banding, and increase it for dark banding. For Windows, see "Paper Configuration" on page 59. For Mac OS X, see "Paper Configuration" on page 27.
- ❑ Check the **▲** ink light and replace ink cartridges, if necessary. See "Replacing Ink Cartridges" on page 169.

Vertical misalignment or banding

Try one or more of these solutions:

- ❑ For Windows, turn off the **High Speed** setting in the Quality Options dialog box. See "Paper Configuration" on page 59.

For Mac OS X, turn off the **High Speed** setting on the Advanced Settings window in the Print window. See "Advanced Settings" on page 22.

- ❑ Run the Print Head Alignment utility. For Windows, see "Aligning the print head" on page 90. For Mac OS X, see "Aligning the print head" on page 41.

Faint printout or gaps

Try one or more of these solutions:

- ❑ Make sure that the ink cartridges' expiration date has not passed. The expiration date appears on the ink cartridge label.
- ❑ For Windows, check the Media Type setting on the Main tab. Make sure it is correct for the paper you are using. See "Selecting Settings on the Main Tab" on page 49.

For Mac OS X, check the Media Type setting under Print Settings selected in the Print dialog. Make sure it is correct for the paper you are using. See "Page Setup" on page 19.

- ❑ Run the Head Cleaning utility to clear any clogged ink nozzles. For Windows, see "Cleaning the print head" on page 89. For Mac OS X, see "Cleaning the print head" on page 40.

You can also clean the print head nozzles using the control panel. Press **>/⏏ Menu** for 3 seconds.

- ❑ Check the **●** ink light and replace ink cartridges, if necessary. See "Replacing Ink Cartridges" on page 169.
- ❑ Select **Standard** for the Platen Gap setting in the Paper Configuration dialog box. For Windows, see "Paper Configuration" on page 59. For Mac OS X, see "Paper Configuration" on page 27.

Blurry or smeared printout

Try one or more of these solutions:

- ❑ For Windows, check the Media Type setting on the Main tab. Make sure it is correct for the paper you are using. See "Selecting Settings on the Main Tab" on page 49.

For Mac OS X, check the Media Type setting under the Print Settings in the Print window. Make sure it is correct for the paper you are using. See "Page Setup" on page 19.

- ❑ If the paper you are using is not supported by the printer driver, select the paper thickness setting in Menu mode. See "CUSTOM PAPER" on page 125.
- ❑ Make sure your paper is dry and the printable side is loaded face-up. Also, make sure you are using the correct type of paper. See "Paper" on page 234.
- ❑ Ink may have leaked inside the printer; wipe the inside of the printer with a soft, clean cloth. See "Cleaning the Printer" on page 182.
- ❑ Run the Head Cleaning utility. For Windows, see "Cleaning the print head" on page 89. For Mac OS X, see "Cleaning the print head" on page 40.

You can also clean the print head nozzles using the control panel. Press **>/⏏ Menu** for 3 seconds.

Color documents print in black ink only

Try one or more of these solutions:

- ❑ Make sure the color data settings in your application are correct.
- ❑ For Windows, make sure **Color** is selected on the Main tab. See "Selecting Settings on the Main Tab" on page 49.

For Mac OS X, make sure **Color** is selected in the Print Settings section of the Print window. See "Print Settings" on page 18.

Printing could be faster

Try one or more of these solutions:

- ❑ For Windows, select **Quality Options** for the Print Quality in the Main tab. In the Quality Options window, select **High Speed**.

For Mac OS X, select **High Speed** in the Advanced window. See "Advanced Settings" on page 22.

- ❑ For Windows, select **Quality Options** for the Print Quality in the Main tab. In the Quality Options window, move the slider towards **Speed** to increase print speed.

For Mac OS X, select **Automatic** mode and move the slider toward **Speed** in the Print Settings section of the Print window. See "Mode" on page 20.


- ❑ Do not run too many applications at the same time. Close any applications you are not using.
- ❑ Connect the printer to a USB 2.0 port.
- ❑ Delete any unnecessary files to make room on your hard disk drive.

Note for Windows:

Your computer may not have enough memory. For further tips, see "Increasing the Print Speed" on page 98.

Roll paper cannot be cut

Try one or more of these solutions:

- Make sure the paper cutter cover is set correctly. See "Replacing the Paper Cutter Blade" on page 180.
- Make sure that the  roll auto cut on is selected as the paper source on the LCD. Press the < paper source button if necessary. Then press and hold the < paper source button for 3 seconds. The printer cuts the roll paper.
- Make sure that **Normal Cut**, **Single Cut**, or **Double Cut** is selected as the Auto Cut in the printer driver. For Windows, see "Selecting the Roll Paper Option settings" on page 68. For Mac OS X, see "Roll Paper Option" on page 29.
- Cut the roll paper by hand if necessary. Check that the paper thickness of the roll paper loaded in the printer matches the paper specification (see "Paper" on page 234). If so, the paper cutter blade may be blunt and require replacement. See "Replacing the Paper Cutter Blade" on page 180.

Note:

If you use roll paper other than Epson media, see the user documentation included with the paper, or contact your supplier.

Paper feed or paper jam problems occur frequently

Try one or more of these solutions:

- Before loading paper and guiding it through the paper insertion slot, adjust the paper suction.

To adjust the paper suction using the printer driver, see the online help for more information.

To adjust the paper suction using the control panel, see "CUSTOM PAPER" on page 125.

- Make sure the paper is not folded or wrinkled.
- Make sure the paper is flat.

- ❑ Make sure the printer is located in an environment that is within the operational temperature range.
- ❑ Make sure the paper is not damp.
- ❑ Store unused paper in its original package.
- ❑ Make sure the paper is not too thick or too thin. See "Paper" on page 234.
- ❑ Make sure no foreign objects are inside the printer.
- ❑ For Windows, check the Media Type setting on the Main tab. Make sure it is correct for the paper you are using. See "Selecting Settings on the Main Tab" on page 49.

For Mac OS X, check the Media Type setting under the Print Settings in the Print window. Make sure it is correct for the paper you are using. See "Page Setup" on page 19.

- ❑ Make sure that the platen gap setting matches your paper. You can change the platen gap setting in the `PRINTER SETUP` of Menu mode. See "PLATEN GAP" on page 118.
- ❑ For non-Epson media, check the paper type selected in the `CUSTOM PAPER` of Menu mode. See "Selecting paper settings" on page 134.

Whenever loading non-Epson media, test if the paper can be loaded correctly before printing.

To clear paper jams, see "Clearing paper jams" on page 209.

Roll paper does not eject properly

Try one or more of these solutions:

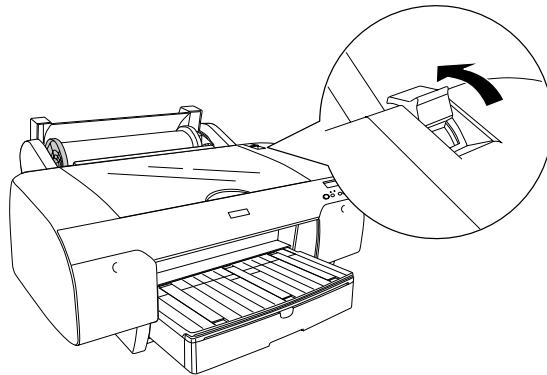
- ❑ Flatten the roll paper before you load it. If the paper is wound tightly, it may feed with a curl.
- ❑ Select **Starwheel-Roll Curled** as the Eject Roller Type in the Paper Configuration dialog box. See the online help for more information.

Clearing paper jams

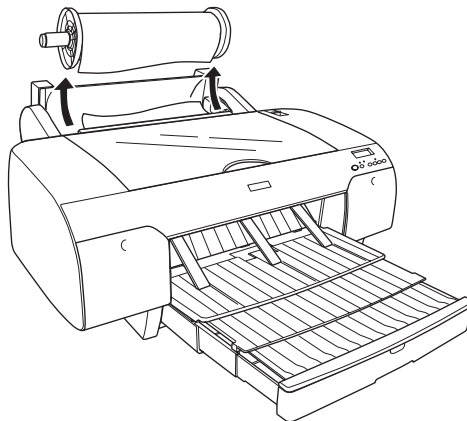
Follow the steps below to remove jammed paper.

When roll paper is jammed

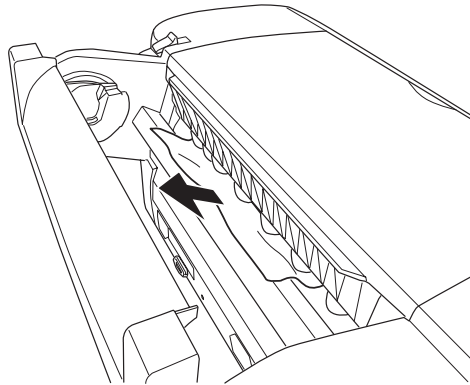
1. Turn off the printer.
2. Open the roll paper cover, and move the paper lever to the released position.



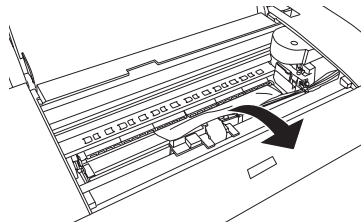
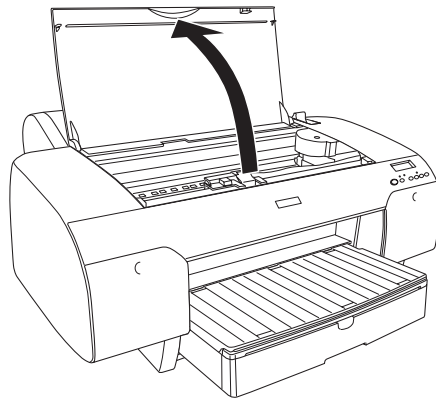
3. Cut the paper at the paper insertion slot, and remove the roll paper.



4. Remove the jammed paper from the front or rear side of the printer.



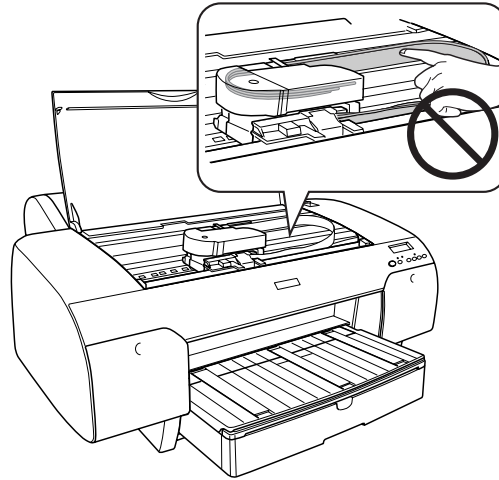
If necessary, open the top cover, and remove the jammed paper.





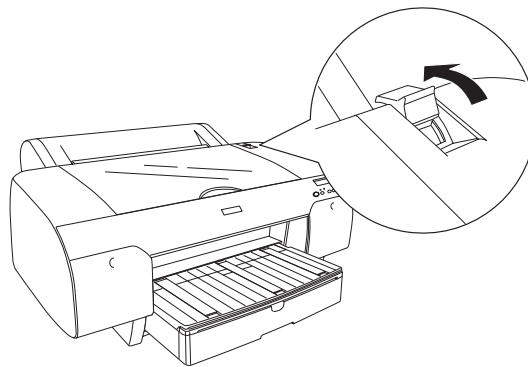
Caution:

Be careful not to touch the parts highlighted below; otherwise, you may damage the printer.

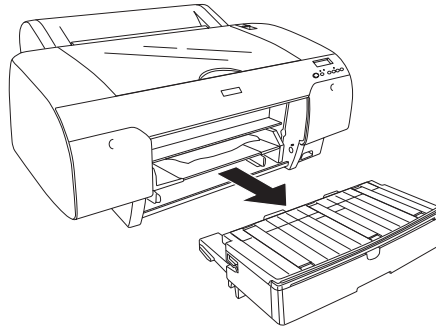


When paper loaded from the paper tray is jammed

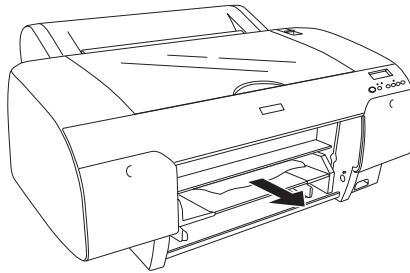
1. Turn off the printer.
2. Move the paper lever to the released position.



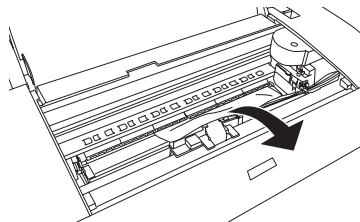
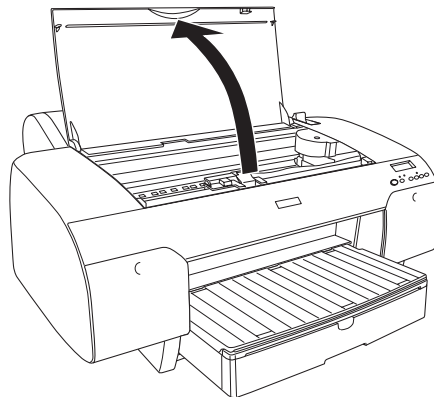
3. Remove the paper tray from the printer.



4. Carefully remove the jammed paper.



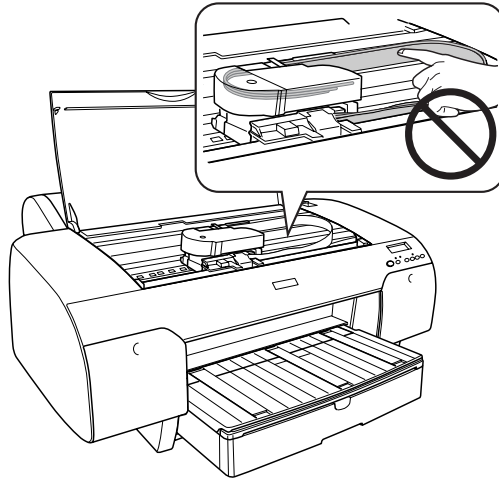
If necessary, open the top cover, and remove the jammed paper.



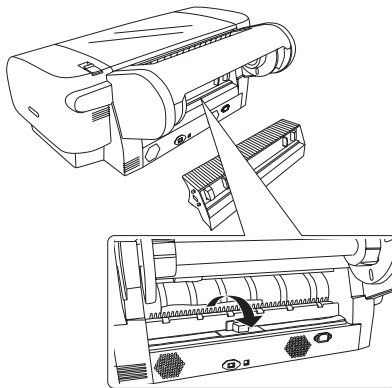
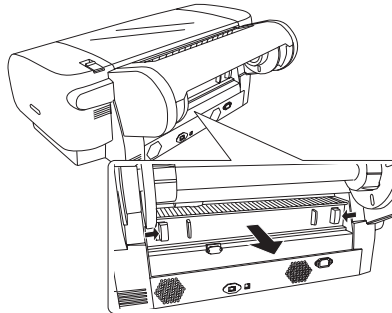


Caution:

Be careful not to touch the parts highlighted below; otherwise, you may damage the printer.



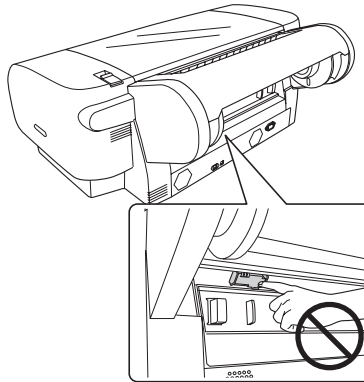
If the paper is jammed around the rear cover, remove the rear cover by squeezing the knobs, and remove the jammed paper.





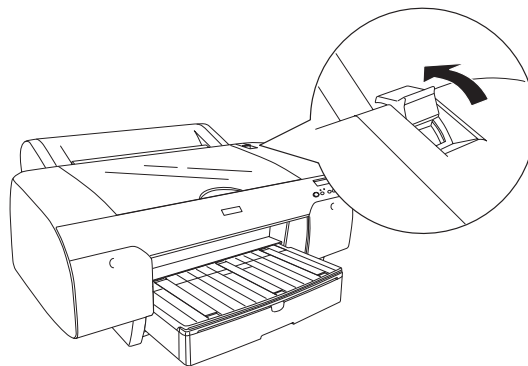
Caution:

Be careful not to touch the parts highlighted below; otherwise, you may damage the printer.



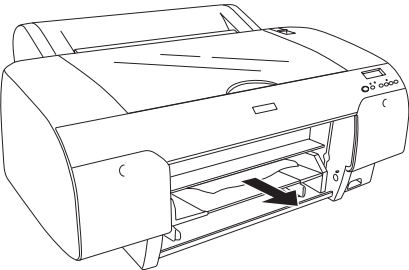
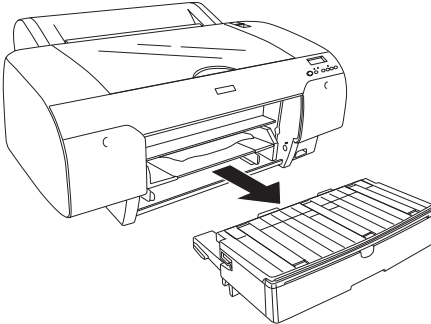
When paper loaded from the front manual feed slot is jammed

1. Turn off the printer.
2. Move the paper lever to the released position.

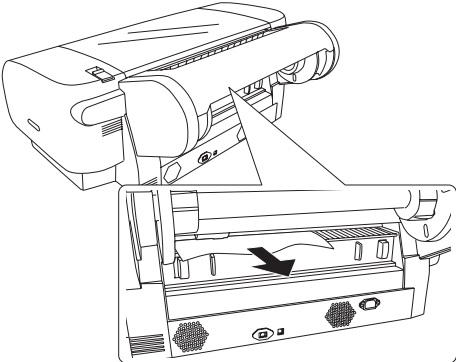


3. Remove the jammed paper from the front or rear side of the printer.

Front



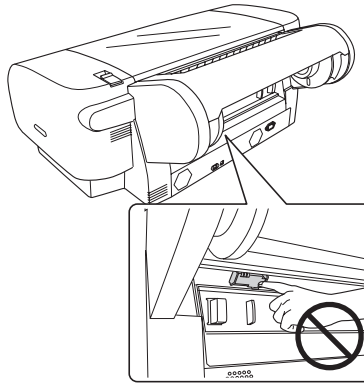
Rear





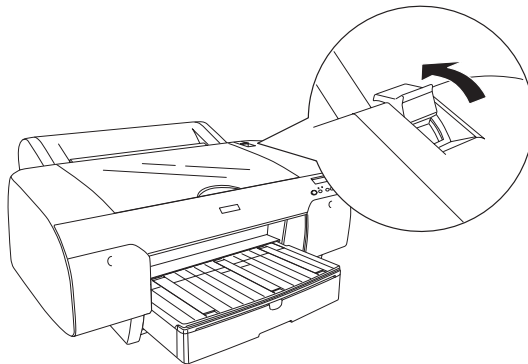
Caution:

Be careful not to touch the parts highlighted below; otherwise, you may damage the printer.

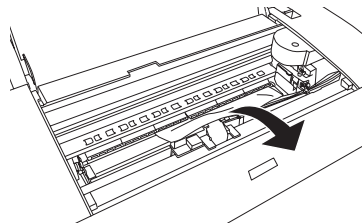
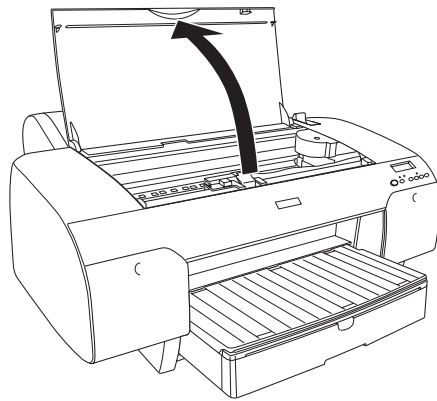
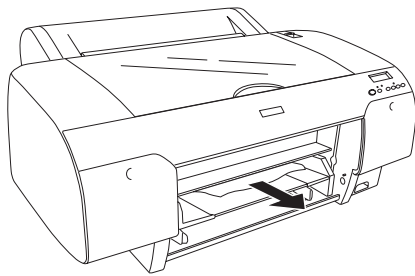
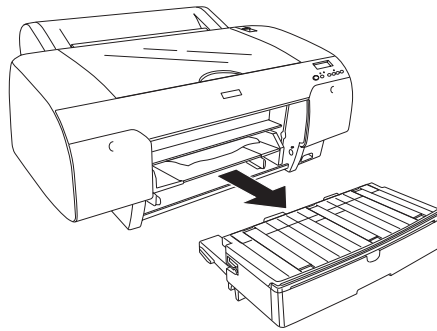


When paper loaded from the rear manual feed slot is jammed

1. Turn off the printer.
2. Move the paper lever to the released position.



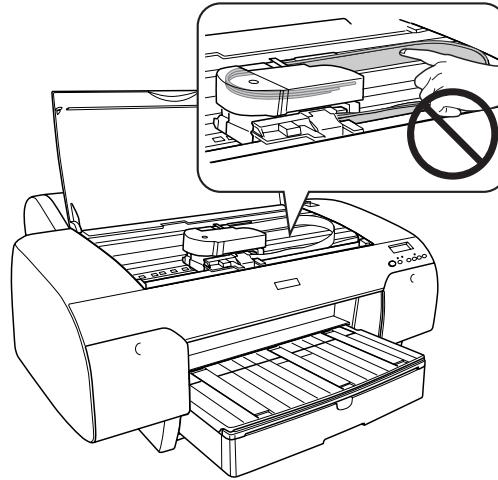
3. Remove the jammed paper from the front. If necessary, open the top cover and remove the jammed paper.





Caution:

Be careful not to touch the parts highlighted below; otherwise, you may damage the printer.



Managing Color with Profiles

For the most precise color in your prints, you can use profiles designed specifically for your printer model and paper type. Basic profiles are installed with your printer driver. For a list of the profiles and their corresponding media types, see "Roll papers" on page 226 or "Cut sheet papers" on page 227.

Assigning a profile to your image doesn't alter it, only the interpretation of it by your software and how it appears on your monitor and in a printout. This is the best way to improve the color balance and contrast in your image.

Follow the instructions on the next page to use Photoshop 7, CS, CS2, or CS3 to print with profiles using Photoshop color management (the steps show only CS3 screens). It's important to turn off color management in your printer software when you use Photoshop color management or you'll get unexpected results.

For Macintosh instructions, see "Macintosh Printing with a Color Profile" on page 219.

For Windows instructions, see "Windows Printing with a Color Profile" on page 222.

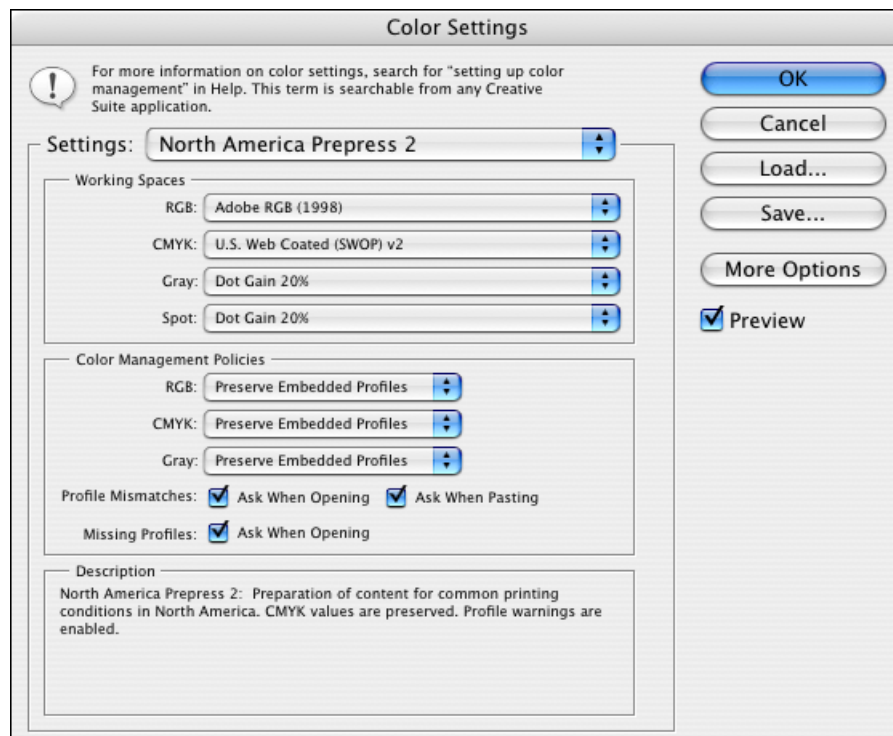
Macintosh Printing with a Color Profile

First you set up your color management environment in Photoshop and assign a profile to your image, then you select your print settings and print.

Setting Up Photoshop and Assigning a Profile

1. Open Adobe Photoshop.
2. Select **Color Settings** from the **Photoshop** or **Edit** menu.

You see this window.



3. Select **U.S. Prepress Defaults** or **North America Prepress 2** from the **Settings** menu to set **Adobe RGB (1998)** as the color space. Click **OK**.
4. Open the photo you want to print.

If you see an Embedded Profile Mismatch message, select **Use the embedded profile** and click **OK**.

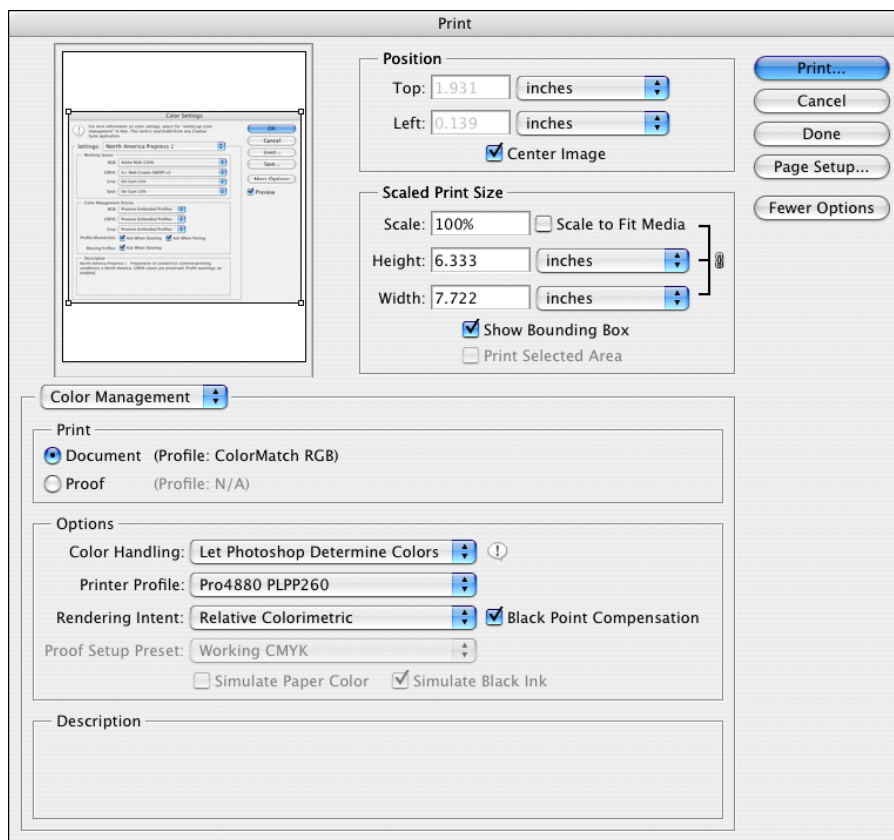
If you see a Missing Profile message, select **Assign working RGB: Adobe RGB (1998)** and click **OK**.

- When your image appears, evaluate the color balance and contrast. If they need improvement, select **Image > Mode > Assign Profile or Edit > Assign Profile**. Then select one of the following as the Profile setting:

- A different RGB working space, such as **ColorMatch RGB** or **sRGB IEC61966-2.1**
- A scanner profile for your scanner
- A camera profile for your digital camera

Also click the **Preview** box so you can see the effects of your profile choice on the screen.

- Select **File**, then click **Print** or **Print with Preview**.



- Click **More Options** or **Show More Options**, then select **Color Management**.

- Click **Page Setup**, select page settings as necessary, and click **OK**.

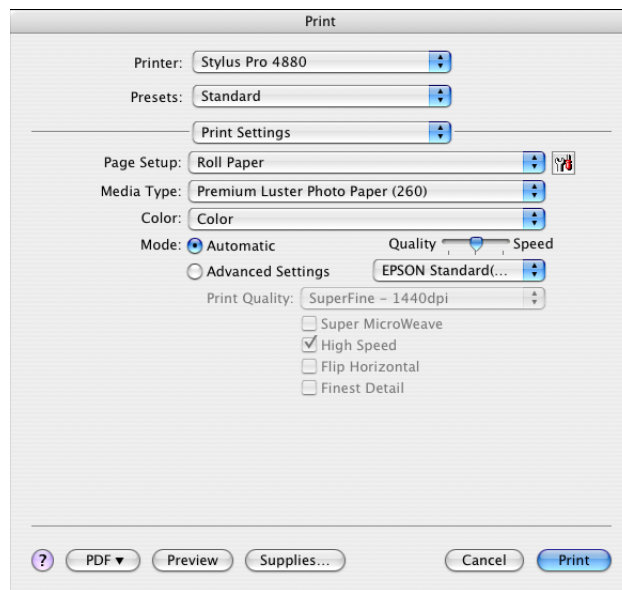
9. Under **Color Handling**, select **Let Photoshop Determine Colors** or **Photoshop Manages Colors**.
10. Under **Profile** or **Printer Profile**, select a profile for your printer and the paper you'll use. If you're printing with Epson Premium ICC profiles, select the profile that also matches the print quality you want to use, such as **Pro4880 PLPP260**.
11. As the **Intent** or **Rendering Intent** setting, select **Relative Colorimetric** and click the **Black Point Compensation** checkbox.

Note:

*If your image contains very saturated colors, select **Perceptual**. This reduces the color saturation so that the colors fit within the printer's color gamut.*

Selecting Print Settings and Printing

1. Click the **Print** button, select **Stylus Pro 4880**, and select **Print Settings**.



2. Select the **Media Type** setting for your paper and the rest of the print settings you want to use (see "Print Settings" on page 18).
3. Select **Printer Color Management**, then select **Off (No Color Adjustment)** (see "Printer Color Management" on page 23).

Note:

*Make sure that you select **Off (No Color Adjustment)**. If you don't, the printer driver will apply additional correction to the image data, producing inaccurate results.*

4. Click **Print** to print your photo.

Note:

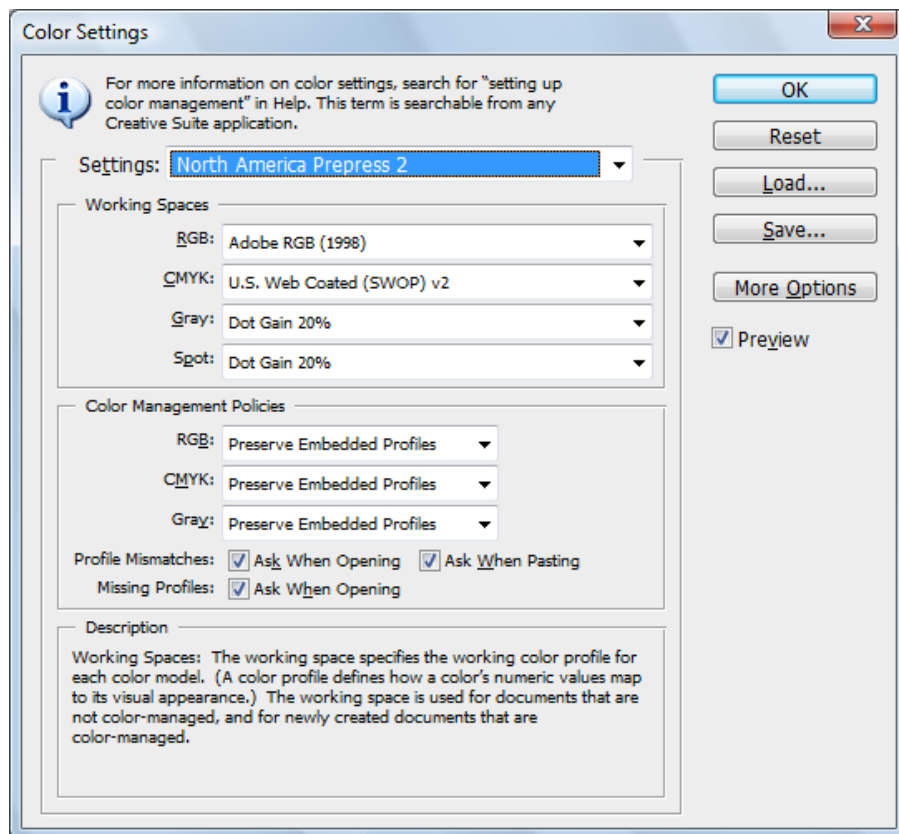
If you selected the wrong combination of source profile, printer profile, and color management settings, you'll get unexpected results.

Windows Printing with a Color Profile

First you set up your color management environment in Photoshop and assign a profile to your image, then you select your print settings and print.

Setting Up Photoshop and Assigning a Profile

1. Open Adobe Photoshop.
2. Select **Color Settings** from the **Edit** menu. You see this window:



3. Select **U.S. Prepress Defaults** or **North American Prepress 2** from the **Settings** menu to set **Adobe RGB (1998)** as the color space. Click **OK**.

4. Open the photo you want to print.

If you see an Embedded Profile Mismatch message, select **Use the embedded profile** and click **OK**.

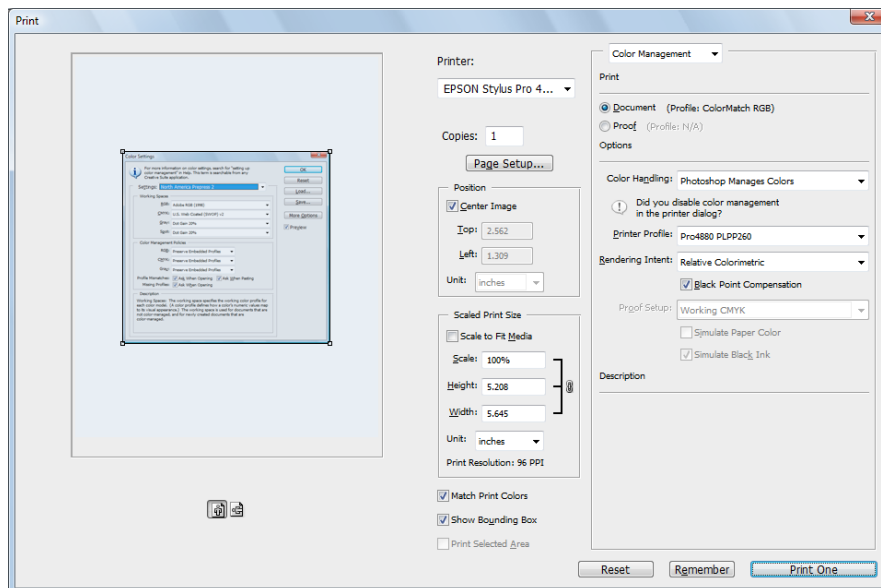
If you see a Missing Profile message, select **Assign working RGB: Adobe RGB (1998)** and click **OK**.

5. When your image appears, evaluate the color balance and contrast. If they need improvement, select **Image > Mode > Assign Profile** or **Edit > Assign Profile**. Then select one of the following as the Profile setting:

- A different RGB working space (or Profile), such as **ColorMatch RGB** or **sRGB IEC61966-2.1**
- A scanner profile for your scanner
- A camera profile for your digital camera

Also click the **Preview** box so you can see the effects of your profile choice on the screen.

6. Select **Page Setup** from the **File** menu, select your page settings, and click **OK**.
7. Select **File**, then select **Print** or **Print with Preview**.



8. Click **More Options** or **Show More Options**, then select **Color Management**.
9. Under **Color Handling**, select **Let Photoshop Determine Colors** or **Photoshop Manages Colors**.
10. Under **Profile** or **Printer Profile**, select a profile for your printer and the paper you'll use. If you're printing with Epson Premium ICC profiles, select the profile that also matches the print quality you want to use, such as **Pro4880 PLPP260**.
11. For the **Intent** or **Rendering Intent** setting, select **Relative Colorimetric** and click the **Black Point Compensation** checkbox.

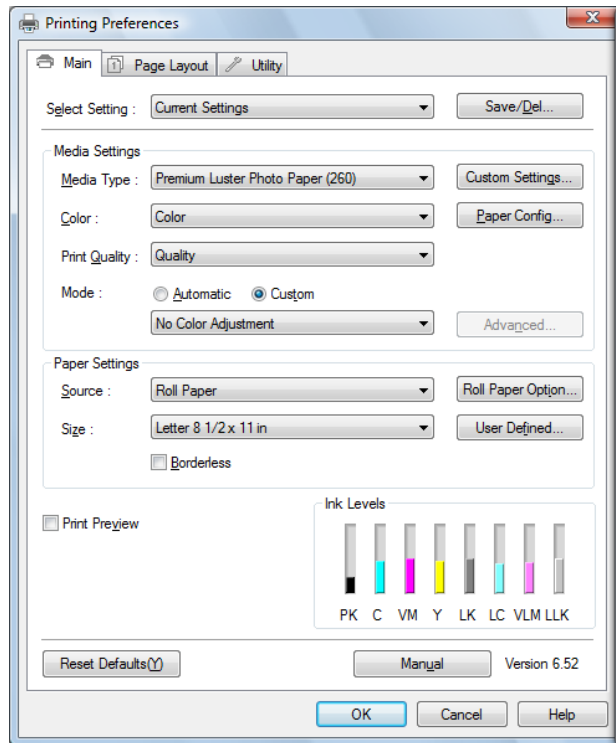
Note:

*If your image contains very saturated colors, select **Perceptual**. This reduces the color saturation so that the colors fit within the printer's color gamut.*

Selecting Print Settings and Printing

1. Click the **Print** button, select your printer, and click **Properties** or **Preferences**.
2. Make sure the **Main** tab is selected.

3. Select the **Media Type** setting for your paper and the rest of the print settings you want to use (see "Selecting Settings on the Main Tab" on page 49).



4. Select **Custom** as the **Mode** setting, then select **No Color Adjustment** from the drop-down menu.

Note:

*Make sure that you select **No Color Adjustment**. If you don't, the printer driver will apply additional correction to the image data, producing inaccurate results.*

5. Click **OK**, then click **OK** or **Print** to print your photo.

Note:

If you selected the wrong combination of source profile, printer profile, and color management settings, you'll get unexpected results.

Paper Information

Epson offers specially designed media for ink jet printers to meet most high-quality printing needs.

See "Epson media" on page 243 for more detailed information on the Epson media.

Paper settings

Roll papers

Media Name	Borderless Printing	ICC Profile
Premium Photo Paper Glossy (250)	Supported	Pro4880 PGPP250.icc (Photo Black)
Premium Semi-gloss Photo Paper	Supported	Pro4880 PSPP250.icc (Photo Black)
Premium Luster Photo Paper (260)	Supported	Pro4880 PLPP260.icc (Photo Black)
Premium Glossy Photo Paper (170)	Supported	Pro4880 PGPP170.icc (Photo Black)
Premium Semi-gloss Photo Paper (170)	Supported	Pro4880 PSPP170.icc (Photo Black)
Singleweight Matte Paper	Supported	Pro4880 SWMP_PK.icc (Photo Black) Pro4880 SWMP_MK.icc (Matte Black)
Proofing Paper White Semimatte	Supported	Pro4880 Proof_WS.icc (Photo Black)
Proofing Paper Publication	Supported	Pro4880 Proof_Pub.icc (Photo Black)
Enhanced Matte Paper	Supported	Pro4880 EMP_PK.icc (Photo Black) Pro4880 EMP_MK.icc (Matte Black)

Media Name	Borderless Printing	ICC Profile
UltraSmooth Fine Art Paper	Supported	Pro4880 USFAP_PK.icc (Photo Black) Pro4880USFAP_MK.icc (Matte Black)
Textured Fine Art Paper	Supported	Pro4880 TFAP_PK.icc (Photo Black) Pro4880 TFAP_MK.icc (Matte Black)

Cut sheet papers

Media Name	Borderless Printing	ICC Profile
Premium Photo Paper Glossy Premium Glossy Photo Paper	Supported	Pro4880 PGPP.icc (Photo Black)
Premium Photo Paper Semi-gloss Premium Semigloss Photo Paper	Supported	Pro4880 PSPP.icc (Photo Black)
Ultra Premium Photo Paper Luster Premium Luster Photo Paper	Supported	Pro4880 PSPP.icc (Photo Black)
Singleweight Matte Paper	Supported	Pro4880 SWMP_PK.icc (Photo Black) Pro4880 SWMP_MK.icc (Matte Black)
Presentation Paper Matte Photo Quality Ink Jet Paper	Supported	Pro4880 PQJP_PK.icc (Photo Black) Pro4880 PQJP_MK.icc (Matte Black)
Proofing Paper White Semimatte	Supported	Pro4880 Proof_WS.icc (Photo Black)
Ultra Premium Presentation Paper Matte Enhanced Matte Paper	Supported	Pro4880 EMP_PK.icc (Photo Black) Pro4880 EMP_MK.icc (Matte Black)

Media Name	Borderless Printing	ICC Profile
Watercolor Paper-Radiant White	Supported	Pro4880 WCRW_PK.icc (Photo Black) Pro4880 WCRW_MK.icc (Matte Black)
UltraSmooth Fine Art Paper	Supported	Pro4880 USFAP_PK.icc (Photo Black) Pro4880 USFAP_MK.icc (Matte Black)
Velvet Fine Art Paper	Supported	Pro4880 VFAP_PK.icc (Photo Black) Pro4880 VFAP_MK.icc (Matte Black)

Where To Get Help

Epson provides technical support and information on the installation, configuration, and operation of professional printing products through the Epson PreferredSM Protection Plan. Dial (888) 377-6611, 6 AM to 6 PM, Pacific Time, Monday through Friday. Days and hours of support are subject to change without notice.

Note:

If you experience difficulty with the toll-free line or your Unit ID number, call (562) 276-1305.

Before you call, make sure you have your Unit ID number, which is included with the Epson Preferred Protection Plan information that came with your printer. You'll also need your printer serial number.

Visit Epson's [U.S. support website](#) or [Canadian support website](#) for solutions to common problems. You can download drivers, firmware, and documentation, get FAQs and troubleshooting advice, or e-mail Epson with your questions.

Purchase Supplies and Accessories

You can purchase genuine Epson ink and paper from an Epson Professional Imaging authorized reseller. To find the nearest reseller, visit www.proimaging.epson.com (U.S. sales), www.epson.ca (Canadian sales), or call 800-GO-EPSON (800-463-7766). Or you can purchase online at www.proimaging.epson.com (U.S. sales) or www.epson.ca (Canadian sales).

Chapter 7

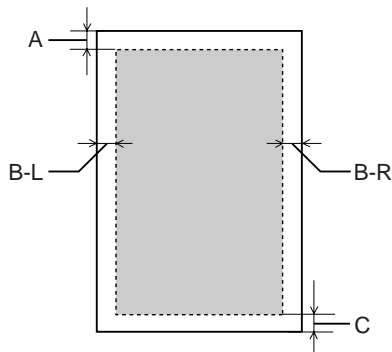
Product Information

Printer Specifications

Printing

Printing method	On-demand ink jet
Nozzle configuration	Black: 180 nozzles × 3 (Photo Black or Matte Black, Light Black, Light Light Black)
	Color: 180 nozzles × 5 (Cyan, Vivid Magenta, Light Cyan, Vivid Light Magenta, Yellow)

Printable area



A	Roll paper	The minimum top margin is 0.12 in. (3.0 mm)
A	Cut sheets	
B-L	Roll paper	The minimum left margin is 0 in. (0 mm)
B-L	Cut sheets	
B-R	Roll paper	The minimum right margin is 0 in. (0 mm)
B-R	Cut sheets	
C	Roll paper	The minimum bottom margin is 0.12 in. (3.0 mm)
C	Cut sheets	The minimum bottom margin is 0.55 in. (14.0 mm)

For roll paper, the following margin widths can be selected using the control panel as follows. For details, see "PAPER MARGIN" on page 119.

Paper Margin setting	A	B-L	B-R	C
DEFAULT	See the list below.			
T/B 15 mm	15 mm	3 mm	3 mm	15 mm
T/B 25 mm	25 mm	3 mm	3 mm	25 mm
15 mm	15 mm	15 mm	15 mm	15 mm
3 mm	3 mm	3 mm	3 mm	3 mm

The following table shows the default paper margin for the paper.

Roll paper type	Top/Bottom	Left/Right
Premium Luster Photo Paper (260) Premium Glossy Photo Paper (170) Premium Semigloss Photo Paper (170) Singleweight Matte Paper Proofing Paper White Semimatte Proofing Paper Publication Enhanced Matte Paper UltraSmooth Fine Art Paper Textured Fine Art Paper Plain Paper	15 mm	3 mm
Premium Glossy Photo Paper (250) Premium Semigloss Photo Paper (250)	20 mm	3 mm

Note:

The printer automatically detects the dimensions of the paper that is loaded. Print data that exceeds the printable area of the paper cannot be printed.

Mechanical

Paper feed method	Friction
Paper path	Roll paper
	Cut sheets (paper tray, front manual slot, rear manual slot)

Dimensions	Width: 33.39 inches (848 mm) Depth: 30.12 inches (765 mm) Height: 13.94 inches (354 mm)
Weight	Approx. 88.6 lb (40.2 kg) without consumables

Electrical

Rated voltage	100 to 240 V
Input voltage range	90 to 264 V
Rated frequency range	50 to 60 Hz
Input frequency range	49 to 61 Hz
Rated current	1.0 - 0.5 A
Power consumption	Approx. 55 W 5 W or less in sleep mode 1 W or less in power off mode

Note:

Check the label on the back of the printer for voltage information.

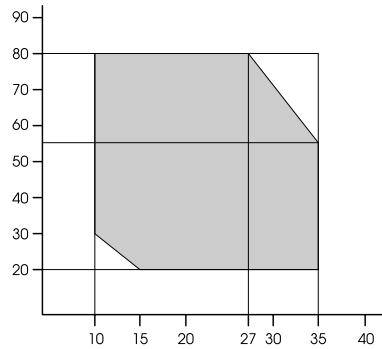
Environmental

Temperature	Operation	10 to 35°C (50 to 95°F)
	Print quality guarantee	15 to 25°C (59 to 77°F)
	Storage	-20 to 40°C (-4 to 104°F)
Humidity	Operation	20 to 80% RH*
	Print quality guarantee	40 to 60% RH*
	Storage	20 to 85% RH**

* Without condensation

** Stored in shipping container

Operational conditions (temperature and humidity):



Standards and Approvals

Safety	UL 60950	
	CSA No. 60950	
	Low Voltage Directive 73/23/EEC	EN 60950
EMC	FCC part 15 subpart B class B	
	CAN/CAS-CEI/IEC CISPR 22 Class B	
	AS/NZS CISPR 22 Class B	
	EMC Directive 89/336/ECC	EN 55022 Class B
		EN 55024
		EN 61000-3-2
		EN 61000-3-3

Paper

Roll paper:

Size	8 inches (203 mm) to 17 inches (432 mm) (W) × 1771.68 inches (45000 mm) (L) when internal diameter is 2 inches
	8 inches (203 mm) to 17 inches (432 mm) (W) × 7952.88 inches (202000 mm) (L) when internal diameter is 3 inches

Outer diameter	4.05 inches (103 mm) maximum when spindle is set as 2 inch roll paper spindle
	5.90 inches (150 mm) maximum when spindle is set as 3 inch roll paper spindle
Paper types	Plain paper, special papers distributed by Epson
Thickness (for plain paper)	0.003 to 0.004 inches (0.08 to 0.11 mm)
Weight (for plain paper)	17 lb (64 g/m ²) to 24 lb (90 g/m ²)

Cut sheets:

Size	Letter (8.5 × 11 inches, 215.9 × 279.4 mm)
	US B (11 × 17 inches, 279.4 × 431.8 mm)
	US C (17 × 22 inches, 431.8 × 558.8 mm)
	A4 (210 × 297 mm)
	A3 (297 × 420 mm)
	Super A3/B (329 × 483 mm)
	A2 (420 × 594 mm)
	B4 (257 × 364 mm)
	B3 (364 × 515 mm)
	8 × 10 inches, 203.2 × 254 mm
	11 × 14 inches, 279.4 × 355.6 mm
	16 × 20 inches, 406.4 × 508 mm
	300 × 450 mm
	400 × 600 mm
	User Defined
Paper types	Plain paper, special papers distributed by Epson
Thickness (for plain paper)	0.08 to 0.11 mm (0.003 to 0.004 inches)
Weight (for plain paper)	17 lb (64 g/m ²) to 24 lb (90 g/m ²)

Note:

- ❑ *Since the quality of any particular brand or type of paper may be changed by the manufacturer at any time, Epson cannot attest to the quality of any non-Epson brand or type of paper. Always test samples of paper before purchasing large quantities or printing large jobs.*
- ❑ *Poor quality paper may reduce print quality and cause paper jams or other problems. If you encounter problems, switch to a higher grade of paper.*
- ❑ *When the paper is curled or folded, flatten it before loading.*

Ink cartridges

Colors	Photo Black	
	Matte Black	
	Light Black	
	Light Light Black	
	Cyan	
	Vivid Magenta	
	Yellow	
	Light Cyan	
	Vivid Light Magenta	
Cartridge life	2 years from production date if unopened.	
	Within 6 months after opening package.	
Temperature	Storage (uninstalled)	-4 to 104°F (-20 to 40°C)
		1 month at 104°F (40°C)
	Storage (installed)	-4 to 104°F (-20 to 40°C)
		1 month at 104°F (40°C)
Capacity	110 ml	
	220 ml	
Dimensions	110 ml: 0.98 inches (25.1 mm) × 6.52 inches (165.8 mm) × 4.14 inches (105.3 mm) (W × D × H)	
	220 ml: 0.98 inches (25.1 mm) × 11.05 inches (280.8 mm) × 4.14 inches (105.3 mm) (W × D × H)	
Weight	110 ml: Approx. 200 g (0.44 lb)	
	220 ml: Approx. 385 g (0.85 lb)	

Note:

- ❑ *The ink cartridges packaged with your printer are partly used during initial setup to make sure the print head is fully charged with ink. This one-time process consumes more ink, subsequent cartridges will last for their full rated life.*
- ❑ *Quoted yields may vary depending on the images you are printing, the paper type you are using, the frequency of your prints and environmental conditions such as temperature.*
- ❑ *To ensure premium print quality and to help protect your print head, a variable ink safety reserve remains in the cartridge when your printer indicates to replace the cartridge. The yields quoted do not include this reserve.*
- ❑ *Ink is consumed during the following operations: print head cleaning and ink charging when an ink cartridge is installed.*
- ❑ *To maintain print quality, Epson recommends printing a few pages on a regular basis.*

System Requirements

Macintosh

To use your printer in either a stand-alone or peer-to-peer network environment, your Macintosh system should meet these requirements:

- ❑ Mac OS X 10.4.9 or higher, or 10.5 or higher
- ❑ PowerPC G5, Intel, or higher processor
- ❑ At least 1GB of RAM (2GB or more recommended)
- ❑ At least 30GB of free hard disk space for software and processing files
- ❑ Quad-speed (4×) or faster CD-ROM or DVD drive for installing the printer software
- ❑ For USB connection: a compliant USB Hi-Speed 2.0 port and a shielded USB “AB” cable from Series A (computer) to Series B (printer), up to 10 feet long
- ❑ For network connection: Ethernet-equipped Macintosh and a Category 6 compatible cable

Windows

To use your printer in either a stand-alone or peer-to-peer network environment, your Windows system should meet these requirements:

- ❑ IBM-compatible PC with a Pentium 4, 3 GHz or higher processor recommended
- ❑ Microsoft Windows XP, Windows XP Professional x64 Edition, Windows Vista, or Windows Vista x64
- ❑ At least 1GB of RAM (2GB or more recommended)
- ❑ At least 30GB of free hard disk space for software and processing files
- ❑ Quad-speed (4×) or faster CD-ROM or DVD drive for installing the printer software
- ❑ For USB connection: a Windows-compliant USB 2.0 port and a shielded USB “AB” cable from Series A (computer) to Series B (printer), up to 10 feet long
- ❑ For Ethernet connection: Ethernet-equipped PC and a compatible Category 6 cable

Interface Specifications

Your printer is equipped with a USB interface and an Ethernet interface.

USB interface

The printer’s built-in USB interface is based on the standards specified in the Universal Serial Bus Specifications Revision 2.0, the Universal Serial Bus Specification Revision 1.1, and the Universal Serial Bus Device Class Definition for Printing Devices Version 1.1. This interface has the following characteristics.

Standard	Based on Universal Serial Bus Specifications Revision 2.0, Universal Serial Bus Specification Revision 1.1, Universal Serial Bus Device Class Definition for Printing Devices Version 1.1
-----------------	---

Bit rate	480 Mbps (high speed mode) 12 Mbps (full speed device)
Data encoding	NRZI
Adaptable connector	USB Series B
Recommended cable length	5.5 yards (5 meters)

Ethernet interface

The printer has a built-in Ethernet interface. Use a 10Base-T and 100Base-TX STP (shielded twisted-pair) cable via the RJ-45 connector to connect to the network.

Chapter 8

Options and Consumable Products

Options

The following options are available for use with your printer.

Note:

The availability of options and consumable products varies by location.

Roll paper spindle

To use optional spindles, see "Using Roll Paper" on page 144.

Paper Roller Spindle (Normal Tension) — 2- or 3-inch	C12C811171
Paper Roller Spindle (High Tension) — 2- or 3-inch	C12C811191
Epson Stylus Pro 4880 Printer Cabinet Stand	C4800STAND
Epson Stylus Pro 4880 TUMI Printer Cover	C4800TUMI
One-year extended warranty	EPP48B1
Two-year extended warranty	EPP48B2

Consumable Products

The following consumable products are available for use with your printer.

Paper cutter blade

If you notice the edge of the paper is not cut cleanly, you can replace the cutter blade. See "Replacing the Paper Cutter Blade" on page 180.

Replacement Printer Cutter Blade	C12C815291
----------------------------------	------------

Maintenance tank

The Maintenance tank absorbs discharged liquid. If it becomes full, you need to replace it. (See "Replacing the Maintenance Tank" on page 178 for instructions.)

Maintenance tank

C12C890191

Ink cartridges

Use the following Epson ink cartridges in your printer:

Ink cartridge (Photo Black)	110 ml: T605100 220 ml: T606100
Ink cartridge (Cyan)	110 ml: T605200 220 ml: T606200
Ink cartridge (Vivid Magenta)	110 ml: T605300 220 ml: T606300
Ink cartridge (Yellow)	110 ml: T605400 220 ml: T606400
Ink cartridge (Light Cyan)	110 ml: T605500 220 ml: T606500
Ink Cartridge (Vivid Light Magenta)	110 ml: T605600 220 ml: T606600
Ink cartridge (Light Black)	110 ml: T605700 220 ml: T606700
Ink cartridge (Matte Black)	110 ml: T613800 220 ml: T614800
Ink cartridge (Light Light Black)	110 ml: T605900 220 ml: T606900

To replace ink cartridges, see "Replacing Ink Cartridges" on page 169.

You can purchase genuine Epson ink and paper from an Epson Professional Imaging authorized reseller. To find the nearest reseller, visit www.proimaging.epson.com (U.S. sales), www.epson.ca (Canadian sales), or call 800-GO-EPSON (800-463-7766). Or you can purchase online at www.proimaging.epson.com (U.S. sales) or www.epson.ca (Canadian sales).

Epson media

Epson offers specially designed media for ink jet printers to meet most high-quality printing needs.

Note:

- ❑ *The availability of Epson media varies by region.*
- ❑ *The names of some special media vary by country. Use the product number to confirm the type of special media you need or have.*
- ❑ *For the latest information on Epson media available in your area, contact Epson customer support. See "Where To Get Help" on page 229.*

Roll papers

Media name	Size	Product code	Recommended application
Premium Glossy Photo Paper (250)	16" × 100'	S041742	Photo Contract Proofing
	8.3" × 32'	S041376	
	13" × 32'	S041378	
Premium Semi-gloss Photo Paper (250)	16" × 100'	S041743	
Premium Luster Photo Paper (260)	10" × 100'	S042077	
	16" × 100'	S042079	
Premium Glossy Photo Paper (170)	16.5" × 100'	S042076	
Premium Semi-gloss Photo Paper (170)	16.5" × 100'	S042075	
Singleweight Matte Paper	17" × 131'	S041746	POP 2D CAD/GIS Imposition proofing

Media name	Size	Product code	Recommended application
Proofing Paper White Semimatte	13" × 100'	S042002	Contract Proofing
	17" × 100'	S042003	
Proofing Paper Publication	13" × 100'	S041996	
	17" × 100'	S041997	
Enhanced Matte Paper	17" × 100'	S041725	POP 3D CAD/GIS Photo/Fine Art
UltraSmooth Fine Art Paper	17" × 7'	S041782-S	Photo/Fine Art
	17" × 50'	S041856	
Textured Fine Art Paper	17" × 50'	S041745	
Premium Semimatte Photo Paper (260)	16" × 100'	S042149	Photo Contract proofing
Proofing Paper Commercial	17" × 100'	S041724	Contract proofing
	13" × 100'	S042144	
PremierArt Water Resistant Canvas for Epson	17" × 40'	SP91221	Photo/Fine Art
	17" × 10'	SP91221-S	
	13" × 20'	SP91220	
Piezo Pro Matte Canvas	13" × 20'	S041992	
	17" × 7'	S041993-S	
	17" × 40'	S041993	

Cut sheet papers

Media name	Size	Number of sheets in package	Product code	Recommended application
Premium Photo Paper Glossy Premium Glossy Photo Paper	Letter	20	S041286	Photo
	11" x 17"	20	S041290	
	A3	20	S041288	
	Super A3/B	20	S041289	
Premium Photo Paper Semi-gloss Premium Semigloss Photo Paper	Letter	20	S041331	
	Super A3/B	20	S041327	
Ultra Premium Photo Paper Luster Premium Luster Photo Paper	Letter	50	S041405	
		250	S041913	
	A4	250	S041602	
	A3	50	S041406	
	Super A3/B	50	S041407	
		100	S041604	
US C	25	S042084		
Singleweight Matte Paper	Super A3/B	100	S041909	POP 2D CAD/GIS Imposition proofing
	US C	100	S041907	
Presentation Paper Matte Photo Quality Ink Jet Paper	US C	100	S041171	
	A2	30	S041079	
	Super A3/B	100	S041069	
	11" x 17"	100	S041070	
	Legal	100	S041067	
Letter	100	S041062		
Proofing Paper White Semimatte	Super A3/B	100	S042118	Contract Proofing

Media name	Size	Number of sheets in package	Product code	Recommended application
Ultra Premium Presentation Paper Matte Enhanced Matte Paper	Letter	50	S041341	POP 3D CAD/GIS Photo/Fine Art
	A3	50	S041343	
	Super A3/B	50	S041339	
		100	S041605	
	US C	50	S041908	
Watercolor Paper-Radiant White	Super A3/B	20	S041351	Photo/Fine Art
UltraSmooth Fine Art Paper	Super A3/B	25	S041896	Photo/Fine Art
	US C	25	S041897	
Velvet Fine Art Paper	Letter	20	S041636	Photo/Fine Art
	Super A3/B	20	S041637	
	US C	25	S042097	
Proofing Paper Commercial Semimatte	Super A3/B	100	S041744	Contract Proofing

Safety Instructions

Important Safety Instructions

Read all of these instructions before using this product. Also be sure to follow all warnings and instructions marked on the printer.

For California customers only:

The lithium batteries in this product contain

Perchlorate Material - special handling may apply,

See www.dtsc.ca.gov/hazardouswaste/perchlorate.

When choosing a place for this product

- Place this product on a flat, stable surface that is larger than the product. This product will not operate properly if it is tilted or at an angle.
- Avoid places subject to rapid changes in temperature and humidity. Also keep it away from direct sunlight, strong light, or heat sources.
- Avoid places subject to shocks and vibrations.
- Keep this product away from dusty areas.
- Place this product near a wall outlet where the plug can be easily unplugged.
- If you use a stand, the stand has to support at least 110.3 lb (50 kg).



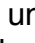
When setting up this product

- The printer weighs about 88 lb (40 kg) (without ink or paper), and should be lifted by two people.
- When setting up the printer, make sure you have enough space around it. Epson recommends 13.8 in. of space in front of the printer, 15.7 in. behind the printer, and 5.9 in. on the left and right sides. You may need more space behind the printer if you print on large sheets of heavy stock or posterboard.

- ❑ Do not block or cover the openings in this product's cabinet.
- ❑ Do not insert objects through the slots. Take care not to spill liquid on this product.
- ❑ This product's power cord is for use with this product only. Use with other equipment may result in fire or electric shock.
- ❑ Connect all equipment to properly grounded power outlets. Avoid using outlets on the same circuit as photocopiers or air control systems that regularly switch on and off.
- ❑ Avoid electrical outlets controlled by wall switches or automatic timers.
- ❑ Keep the entire computer system away from potential sources of electromagnetic interference, such as loudspeakers or the base units of cordless telephones.
- ❑ Use only the type of power source indicated on the product's label.
- ❑ Use only the power cord that comes with this product. Use of another cord may result in fire or electric shock.
- ❑ Do not use a damaged or frayed power cord.
- ❑ If you use an extension cord with this product, make sure the total ampere rating of the devices plugged into the extension cord does not exceed the cord's ampere rating. Also, make sure the total ampere rating of all devices plugged into the wall outlet does not exceed the wall outlet's ampere rating.
- ❑ Do not attempt to service this product yourself.
- ❑ Power down the printer from the control panel, unplug the printer, and refer servicing to qualified service personnel under the following conditions:

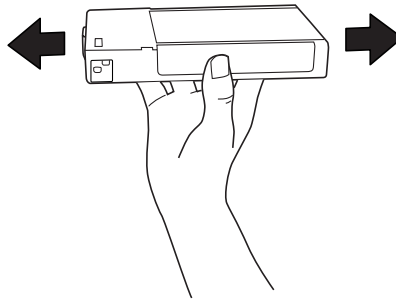
The power cord or plug is damaged; liquid has entered the product; the product has been dropped or the cabinet damaged; the product does not operate normally or exhibits a distinct change in performance.
- ❑ If damage occurs to the plug, replace the cord set or consult a qualified electrician. If there are fuses in the plug, make sure you replace them with fuses of the correct size and rating.

When using this product

- Do not put your hand inside this product or touch the ink cartridges during printing.
- Do not move the print head by hand; otherwise you may damage this product.
- Always turn the product off using the  power button on the control panel. When this button is pressed, the  pause light flashes briefly then goes off. Do not unplug the power cord or turn off the product until the  pause stops flashing.

When handling the ink cartridges

- Keep ink cartridges out of the reach of children and do not drink the ink.
- If ink gets on your skin, wash it off with soap and water. If it gets in your eyes, flush them immediately with water.
- Shake the ink cartridge well before installing it for best results.



Caution:

Do not shake cartridges that have been installed previously with too much force.

- Do not use an ink cartridge beyond the date printed on the cartridge carton.
- Use ink cartridges within six months of installation for best results.
- Do not dismantle the ink cartridges or try to refill them. This could damage the print head.
- Store ink cartridges in a cool, dark place.

- ❑ After bringing an ink cartridge inside from a cold storage site, allow it to warm up at room temperature for at least three hours before using it.
- ❑ Do not touch the green IC chip on the side of the cartridge. This may affect normal operation and printing.
- ❑ The IC chip on this ink cartridge retains a variety of cartridge-related information, such as the ink cartridge status, so that the cartridge may be removed and reinserted freely.
- ❑ If you remove an ink cartridge for later use, protect the ink supply area from dirt and dust, and store it in the same environment as this product. Note that there is a valve in the ink supply port, making covers or plugs unnecessary, but care is needed to prevent the ink from staining items that the cartridge touches. Do not touch the ink supply port or surrounding area.

When transporting this product

Before transporting the printer, make sure the print head is in the home (far right) position.

Warning, Cautions, and Notes



Warnings

must be followed carefully to avoid bodily injury.



Cautions

must be observed to avoid damage to your equipment.

Notes

contain important information and useful tips on the operation of this printer.

Index

A

Advanced settings
 Mac OS X, 22
 Windows, 54
Alert Value, 137

B

Black ink cartridges
 changing, 173
Buttons, 107

C

Cleaning
 printer, 182
Color management, 218
ColorSync, 17, 26
Consumable products, 241
Contacting Epson, 229
Customer support, 229
Custom mode
 Windows, 53
Cut sheet media
 loading, 153
 media type, 243
 using, 151

D

Dual roll feed spindle, 144

E

Epson media, 143, 243
Epson StatusMonitor
 Mac OS X, 38
Epson Status Monitor 3
 Windows, 97
Error indication, 191

H

Head Alignment, 131

I

Ink cartridges, 169, 173, 242

L

Loading
 cut sheet media, 153
 roll paper, 146

M

Maintenance Mode, 137
Maintenance tank
 replacing, 178
Media, 243
Media Type setting
 Mac OS X, 19
 Windows, 49
Menu mode
 custom paper, 125
 cutter replace, 130
 head alignment, 128
 menus, 112
 network setup, 129
 printer setup, 117
 printer status, 123
 setting procedure, 111
 usage, 110
Multi-page printing
 Windows, 83

N

Notes for media, 143
Nozzle check pattern, 130

O

- On-screen help
 - Mac OS X, 42
 - Windows, 95
- Options, 241

P

- Page lines, printing, 151
- Paper cutter blade
 - replacing, 180
- Paper Thickness, 134
- PhotoEnhance settings
 - Windows, 56
- Preview feature
 - Mac OS X, 34
 - Windows, 72
- Printer driver
 - Mac OS X, 11
 - Windows, 45
- Printer Software
 - uninstalling (Mac OS X), 42
 - uninstalling (Windows), 103
- Printer utilities
 - Mac OS X, 36
 - Windows, 86
- Print Quality setting
 - Mac OS X, 22
 - Windows, 46
- Progress Meter
 - Windows, 96

R

- Replacing
 - ink cartridges, 169
 - maintenance tank, 178
 - paper cutter blade, 180
- Roll paper
 - loading, 146
 - media type, 243
 - using, 144

S

- Specifications
 - electrical, 233
 - interface, 238
 - Standards and Approvals, 234
- Spindle
 - attaching the roll paper, 144
 - removing the roll paper, 145
- Status Message, 110
- Status Sheet, 136
- System requirements
 - Mac OS X, 237
 - Windows, 238

T

- Technical support, 229
- Transporting the printer, 186
- Troubleshooting, 191

U

- Utilities
 - Mac OS X, 36
 - Windows, 86
- Utility
 - Speed and Progress (Windows), 92
 - Using, 99